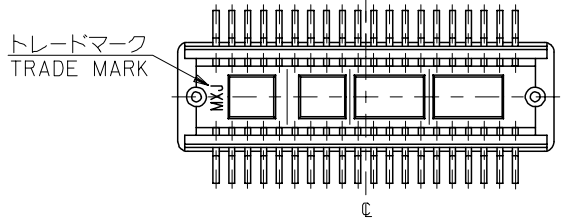
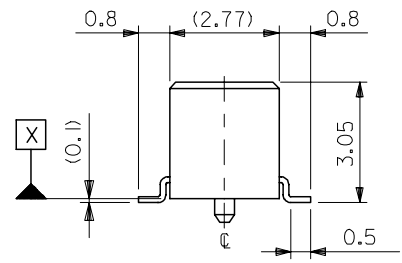
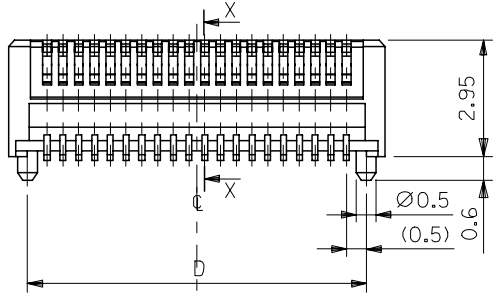
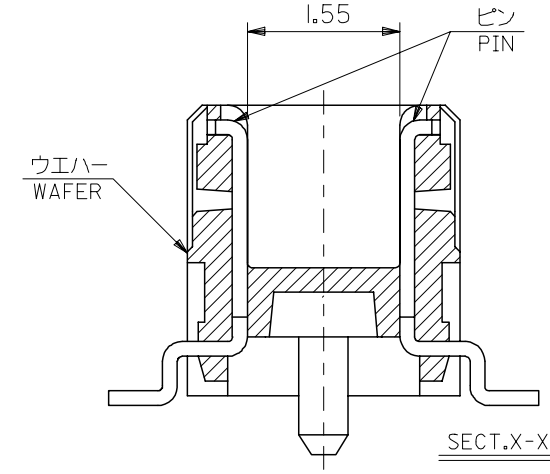


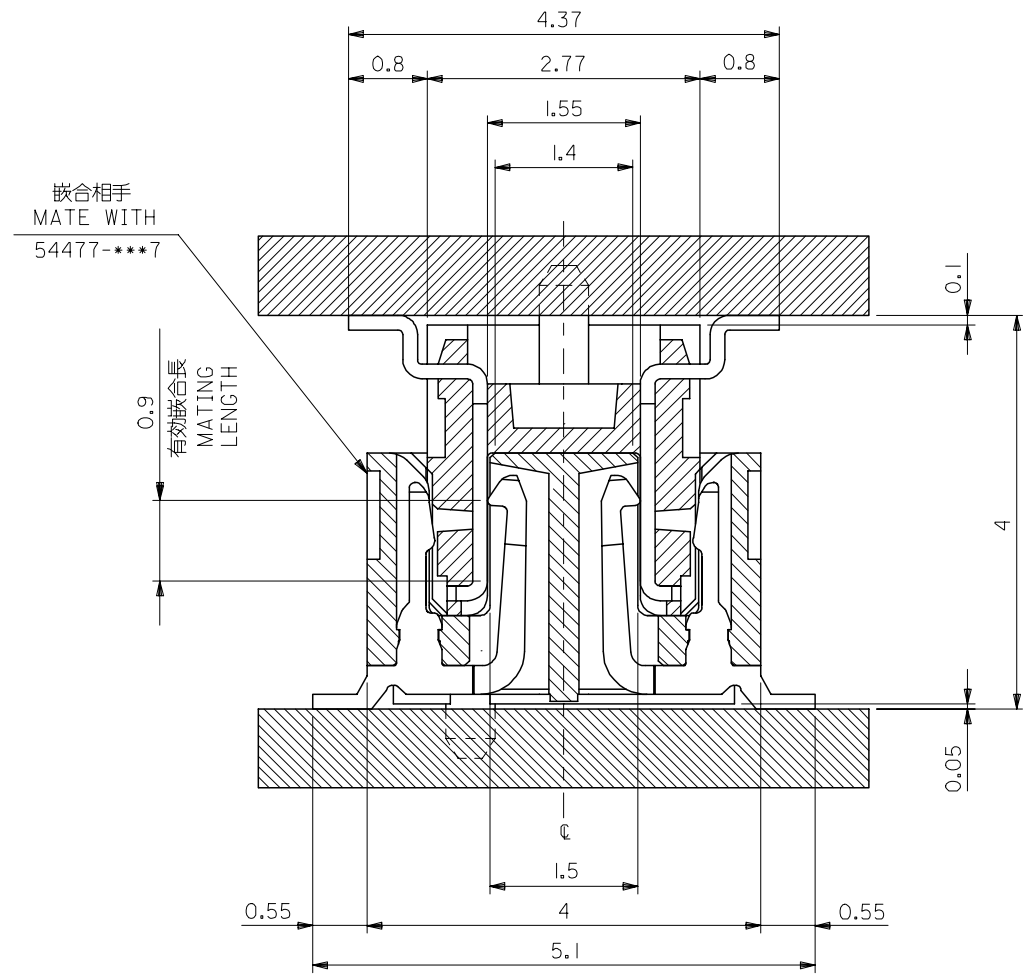
参考基板レイアウト (マウント面)
RECOMMENDED P.C.BOARD
PATTERN DIMENSION (REF.)
(MOUNTING AREA)



24.6	24.62	23.6	25.55	55339-1207	120
18.6	18.62	17.6	19.55	55339-0907	90
16.6	16.62	15.6	17.55	55339-0807	80
12.6	12.62	11.6	13.55	55339-0607	60
D	C	B	A	MATERIAL NO.	CIRCUIT

MODEL NO. 55339-***7

REVISED EC NO: J2005-3657 DRW:KASAKI 2005/08/19 CHK:D:HIRATA 2005/08/19 APPR:HIRATA 2005/08/24	GENERAL TOLERANCES (UNLESS SPECIFIED)		DIMENSION STYLE	SCALE	DESIGN UNITS	THIRD ANGLE PROJECTION
			MM ONLY	---	METRIC	
	10 UNDER	±0.2	DRAWN BY	DATE	TITLE	
	10 OVER 30 UNDER	±0.25	M. HAYASHI	1998/08/28	0.4 MM B-TO-B CONN PLUG ASSY (HGT=4MM)	
	30 OVER	±0.3	T. ITO	2000/10/23	MOLEX INCORPORATED	
ANGULAR	±3 °	APPROVED BY	DATE	MATERIAL NO.	DOCUMENT NO.	SHEET NO.
DRAFT WHERE APPLICABLE MUST REMAIN WITHIN DIMENSIONS		M. FUKUSHIMA	2000/10/23	SEE CHART	SD-55339-003	1 OF 2
		SIZE	THIS DRAWING CONTAINS INFORMATION THAT IS PROPRIETARY TO MOLEX INCORPORATED AND SHOULD NOT BE USED WITHOUT WRITTEN PERMISSION			
		A3				



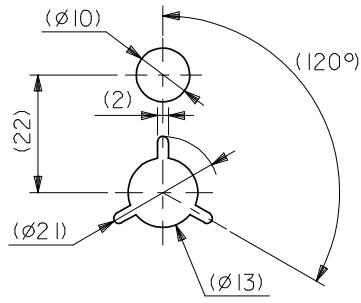
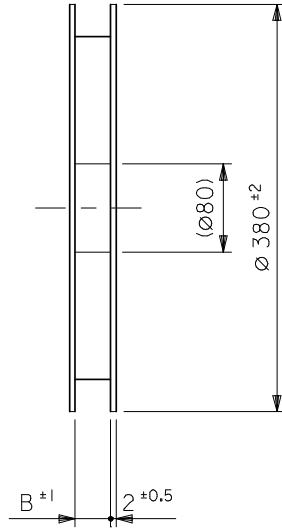
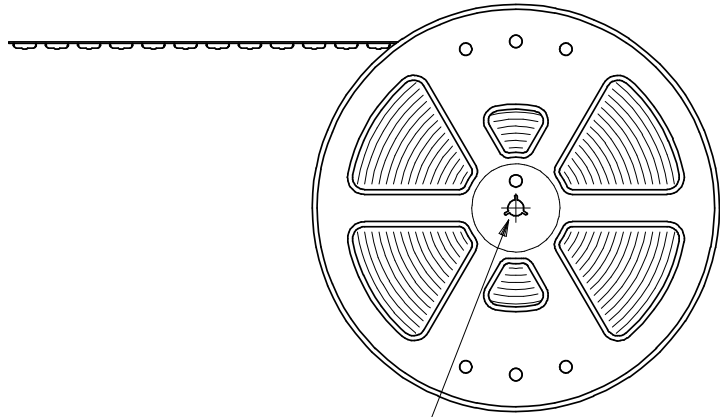
注記 NOTES:

1. 使用材料 MATERIAL
 ウエハー: 液晶ポリマー ガラス充填 UL94V-0 茶色
 WAFER: LIQUID CRYSTAL POLYMER
 GLASS FILLED UL94V-0
 COLOR BROWN
 ピン: リン青銅 (t=0.15)
 PIN: PHOSPHOR BRONZE (t=0.15)
2. メッキ仕様 PLATING
 金メッキ 0.25 マイクロメートル以上 (コンタクト部)
 GOLD 0.25MICROMETER MINIMUM (CONTACT AREA)
 金メッキ 0.4 マイクロメートル以下 (テール部)
 GOLD 0.4MICROMETER MAXIMUM (TAIL AREA)
 下地メッキ: ニッケルメッキ 1.5 マイクロメートル以上
 UNDER PLATING: NICKEL 1.5MICROMETER MINIMUM
3. (全極数/2) = 偶数の場合に適用。
 APPLY FOR (CIRCUIT/2) = EVEN.
4. 嵌合相手: 54477 シリズ
 MATE WITH: 54477 SERIES.
5. テール平坦度は、0.08MAX.
 TAIL COPLANARITY TO BE 0.08MAX.
 又、テール半田付け面の位置はウエハーの底面 [X] に対し
 上方向に0、下方向に0.15MAX.とする。
 MISALIGNMENT OF SOLDER TAILS FROM [X]
 : UPPER DIRECTION 0
 : LOWER DIRECTION 0.15 MAX.

嵌合断面図(参考)
MATED DRAWING (REF.)

REVISED EC NO: J2005-3657 DRWN: KASAKI 2005/08/19 CHKD: THIRATA 2005/08/19 APPR: THIRATA 2005/08/24 G REV	GENERAL TOLERANCES (UNLESS SPECIFIED)		DIMENSION STYLE MM ONLY		SCALE ---	DESIGN UNITS METRIC	THIRD ANGLE PROJECTION	
	10 UNDER	±0.2	DRAWN BY M. HAYASHI	DATE 1998/08/28	TITLE 0.4 MM B-TO-B CONN PLUG ASSY (HGT=4MM)			
	10 OVER 30 UNDER	±0.25	CHECKED BY T. ITO	DATE 2000/10/23	MOLEX INCORPORATED			
	30 OVER	±0.3	APPROVED BY M. FUKUSHIMA	DATE 2000/10/23	DOCUMENT NO. SD-55339-003		SHEET NO. 2 OF 2	
	ANGULAR	±3 °	MATERIAL NO. SEE CHART					
DRAFT WHERE APPLICABLE MUST REMAIN WITHIN DIMENSIONS		SIZE A3		THIS DRAWING CONTAINS INFORMATION THAT IS PROPRIETARY TO MOLEX INCORPORATED AND SHOULD NOT BE USED WITHOUT WRITTEN PERMISSION				

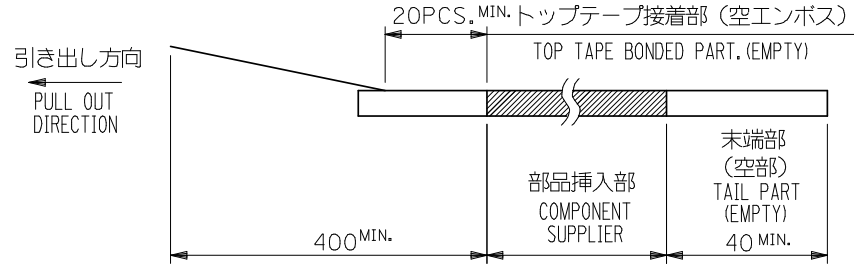
引き出し方向
PULL OUT
DIRECTION



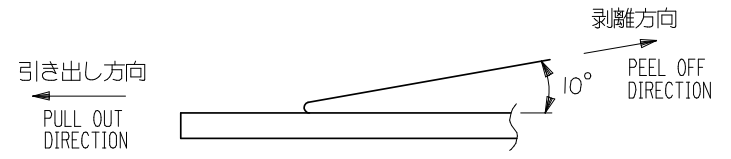
DETAIL "F"

NOTES

- 製品詳細寸法については図面 SD-55339-003 を参照下さい。
RE DETAILED DIMENSION, SEE SD-55339-003
- 梱包数量：1500個/リール
NUMBER OF CONNECTORS：1500PCS/REEL
- リードテープ長さ LEAD TAPE LENGTH



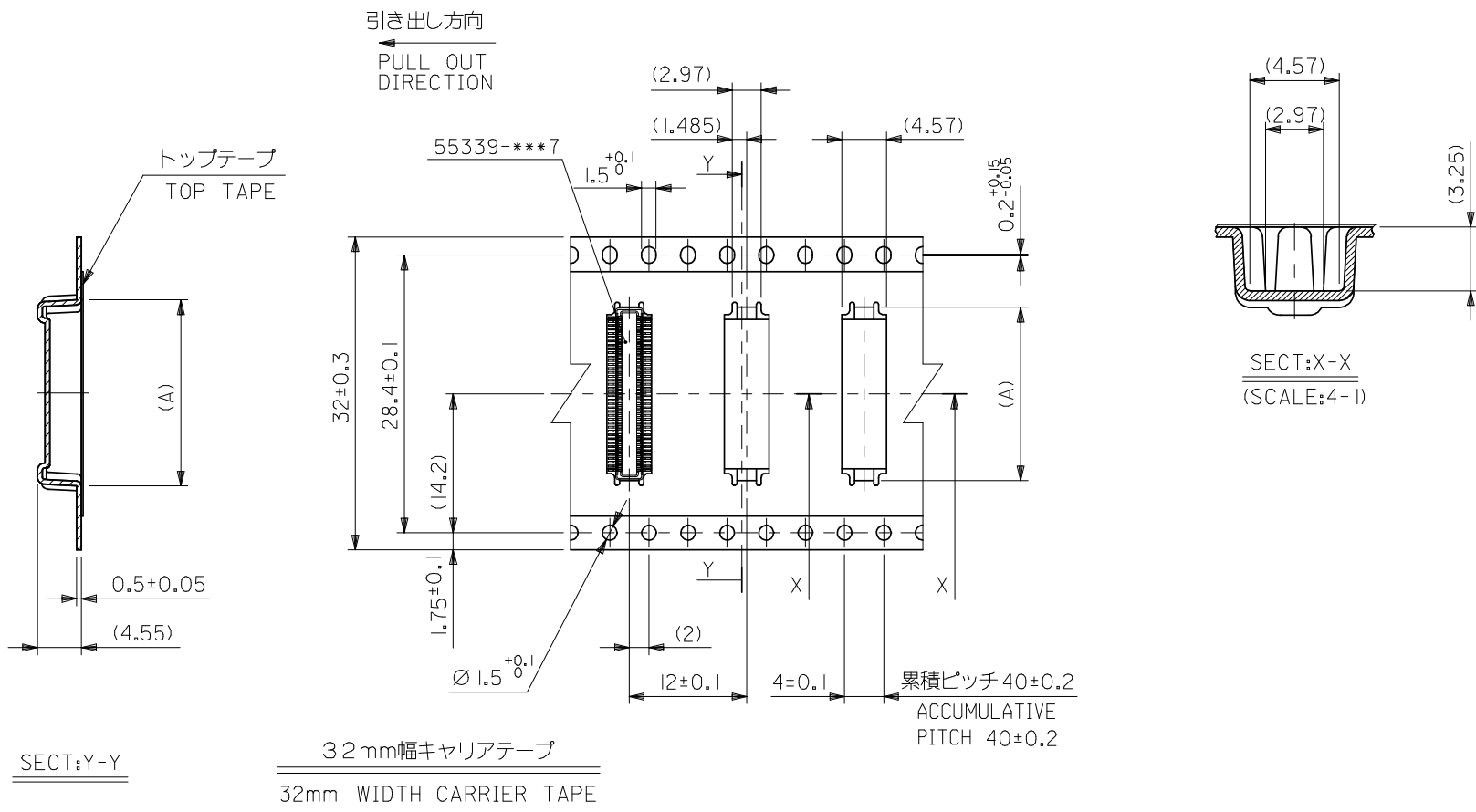
- トップテープの剥離強度：0.1N ~ 0.7N (10.2gf ~ 71.4gf)
(剥離方向は下図参照)
尚、本規格値は出荷時に適用。(但し、輸送時に剥離が発生しないこと。)
PEELING OFF FORCE OF TOP TAPE：0.1N ~ 0.7N (10.2gf ~ 71.4gf)
(PEELING DIRECTION AS SHOWN IN FOLLOWING FIG.)
THIS REQUIREMENT SHOULD BE APPLIED AT SHIPMENT.
PEEL OFF SHOULD NOT BE ALLOWED, DURING TRANSPORTATION.



- 材料 (MATERIAL)
キャリアテープ (CARRIER TAPE)：ポリプロピレン (POLYPROPYLENE)
トップテープ (TOPTAPE)：PET, PE, PEF
リール (REEL)：ポリスチレン (PS) <リサイクル材を含む>
POLYSTYREN (PS) <RECYCLE MATERIAL CONTAINED>

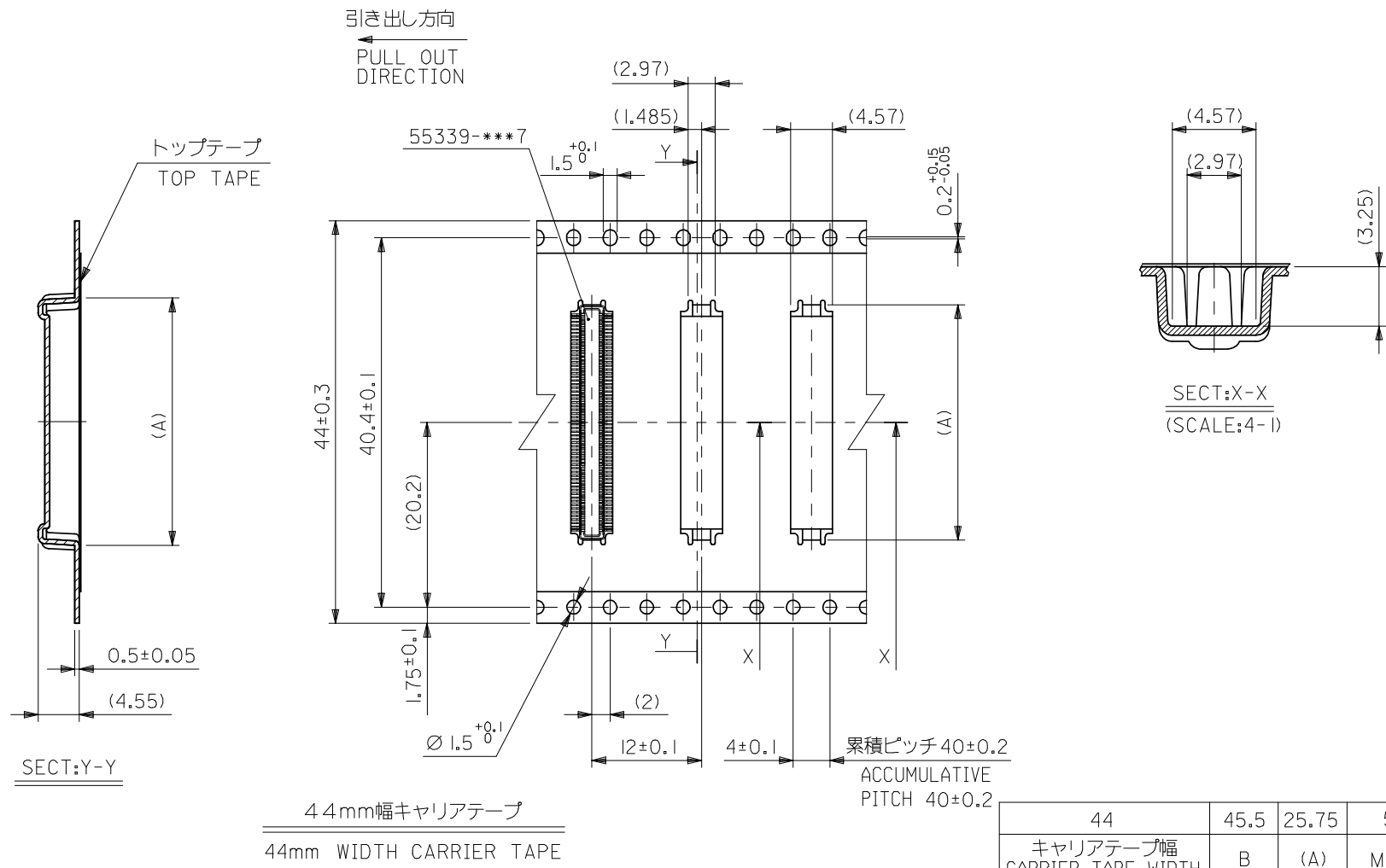
MODEL NO. 55339-***8

REVISED EC NO: J2008-3743 DRW: K INOSHITA 2008/05/12 CHK: D HARUYAMA 2008/05/13 APPR: NUKITA 2008/06/26	GENERAL TOLERANCES (UNLESS SPECIFIED)		DIMENSION STYLE MM ONLY		SCALE ---	DESIGN UNITS METRIC	THIRD ANGLE PROJECTION	
	10 UNDER	± 0.2	DRAWN BY M. HAYASHI	DATE 1998/08/28	TITLE 0.4 BTB CONN PLUG ASSY HGT=4 EMBSTP PKG			
	10 OVER 30 UNDER	± 0.25	CHECKED BY T. ITO	DATE 2001/02/21				
	30 OVER	± 0.3	APPROVED BY M. FUKUSHIMA 2001/02/21		MOLEX INCORPORATED			
	ANGULAR ± 3 °		MATERIAL NO. SEE TABLE		DOCUMENT NO. SD-55339-004		SHEET NO. 1 OF 3	
DRAFT WHERE APPLICABLE MUST REMAIN WITHIN DIMENSIONS		THIS DRAWING CONTAINS INFORMATION THAT IS PROPRIETARY TO MOLEX INCORPORATED AND SHOULD NOT BE USED WITHOUT WRITTEN PERMISSION						



32	33.5	17.75	55339-0808	80
		13.75	55339-0608	60
キャリアテープ幅 CARRIER TAPE WIDTH	B	(A)	MATERIAL NO.	極数 CKT.
MODEL NO.	55339-***8			

REVISED EC NO: J2008-3743 DRW:K INOSHITAA 2008/05/12 CH:K D: T HARUYAMA 2008/05/13 APPR: NUKITA 2008/06/26	GENERAL TOLERANCES (UNLESS SPECIFIED)		DIMENSION STYLE	SCALE	DESIGN UNITS	THIRD ANGLE PROJECTION
			MM ONLY	---	METRIC	
	10 UNDER	±0.2	DRAWN BY	DATE	TITLE	
	10 OVER 30 UNDER	±0.25	M. HAYASHI	1998/08/28	0.4 BTB CONN PLUG ASSY HGT=4 EMBSTP PKG	
	30 OVER	±0.3	CHECKED BY	DATE		
ANGULAR	±3 °	T. ITO	2001/02/21			
DRAFT WHERE APPLICABLE MUST REMAIN WITHIN DIMENSIONS		APPROVED BY	DATE	MOLEX INCORPORATED		
		M. FUKUSHIMA	2001/02/21	DOCUMENT NO.		SHEET NO.
		SEE TABLE		SD-55339-004		2 OF 3
		THIS DRAWING CONTAINS INFORMATION THAT IS PROPRIETARY TO MOLEX INCORPORATED AND SHOULD NOT BE USED WITHOUT WRITTEN PERMISSION				



44	45.5	25.75	55339-1208	120
キャリアテープ幅 CARRIER TAPE WIDTH	B	(A)	MATERIAL NO.	極数 CKT.
MODEL NO.	55339-***8			

REVISED EC NO: J2008-3743 DRW:K INOSHITA 2008/05/12 CH:K: T. HARUYAMA 2008/05/13 APPR: NUKITA 2008/06/26 REV D	GENERAL TOLERANCES (UNLESS SPECIFIED)		DIMENSION STYLE MM ONLY		SCALE ---	DESIGN UNITS METRIC	THIRD ANGLE PROJECTION	
	10 UNDER	±0.2	DRAWN BY M. HAYASHI	DATE 1998/08/28	TITLE 0.4 BTB CONN PLUG ASSY HGT=4 EMBSTP PKG			
	10 OVER 30 UNDER	±0.25	CHECKED BY T. ITO	DATE 2001/02/21				
	30 OVER	±0.3	APPROVED BY M. FUKUSHIMA	DATE 2001/02/21	MOLEX INCORPORATED			
	ANGULAR	±3 °	MATERIAL NO.	DOCUMENT NO. SD-55339-004				
DRAFT WHERE APPLICABLE MUST REMAIN WITHIN DIMENSIONS			SEE TABLE		THIS DRAWING CONTAINS INFORMATION THAT IS PROPRIETARY TO MOLEX INCORPORATED AND SHOULD NOT BE USED WITHOUT WRITTEN PERMISSION			