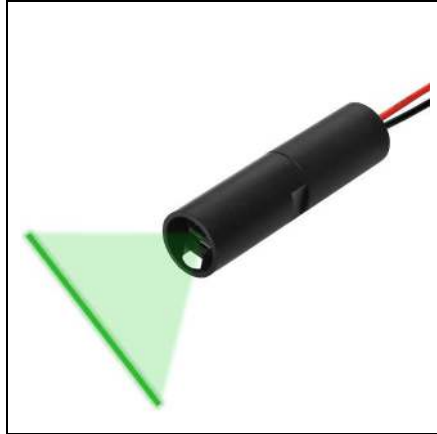


Straight Green Line Laser

VLM-520-55 Series



FEATURES:

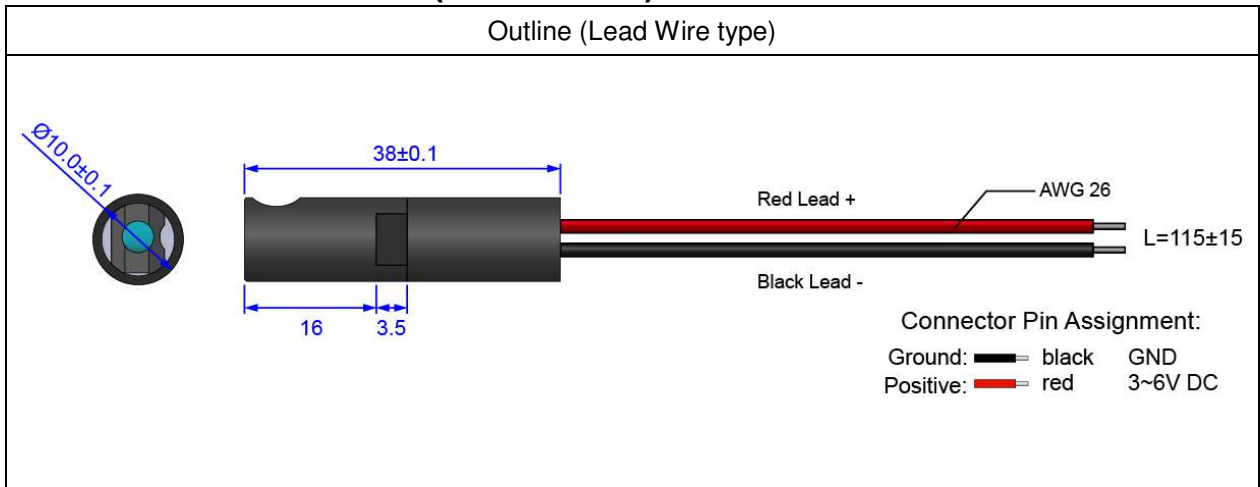
- Direct Green Laser Diode for large temperature operation range.
- High quality straight green line laser, ideal for industrial application.
- Laser beam is focused at 10 meters to generate best thin laser line from 5 meters to 20 meters.
- Industrial use laser modules have 10,000 hours working life.
- This module has integrated optic, direct green laser diode, and APC driver circuit.
- APC driver circuit enables the Laser output power safe and constant.
- Dimensions : Ø10 x 38 mm (Ø0.393" x 1.496")
- Wavelength : 510~530 nm
- Laser power output : LPT - Class 2M Laser product.
LPO - Class 1M Laser product.
- Fan Angle : >90°
- 3~6 VDC operation.
- Connection type : Lead wire

APPLICATIONS:

- Straight Green Line from Direct Green Laser Diode.
- Wood processing.
- Metal processing.
- Stone processing.
- Textile industry.
- Food industry.
- Automotive industry.
- Medical science.

VLM-520-55 Series

OUTLINE DIMENSIONS (UNITS: mm)



SPECIFICATIONS

SPECIFICATIONS		VLM-520-55	
		LPO	LPT
1	Dimensions	Ø10 x 38 mm (Ø0.393" x 1.496")	
2	Weight	5.2g	
3	Operating voltage (Vop)	3~6 VDC	
4	Operating current (Iop)	Less than 200mA	
5	Optical power*	4~5mW	9~10mW
6	Laser power output**	Less than 0.39mW	Less than 1mW
7	Laser class	Class 1M	Class 2M
8	Wavelength at peak emission (λp)	510~530nm	
9	Collimating lens	Glass lens	
10	Line lens	Glass lens	
11	Beam shape	Line	
12	Laser line width	3±0.5mm@5M, 6±0.5mm@10M	
13	Laser line accuracy	40"(±1mm@5M)	
14	Fan Angle	More than 90°	
15	Operating temp. range***	-20°C ~+65°C	
16	Storage temp. range	-20°C ~+85°C	
17	Housing material	Aluminum	
18	Potential of housing	Insulated	
19	Electrostatic discharge (ESD)	30KV	

VLM-520-55 Series

20	Moisture sensitivity level (MSL)	Level 1 - acc to JEDEC J-STD-020E.
21	Wire type	1007-26AWG
22	Cable length	115±15mm
23	Mean time to failure (MTTF) 25°C	10000hrs
24	Application	Precision industrial alignment
25	Suggestion work distance	1~20 meters / 3~60 feet

* Optical power is total power output measured at the aperture of the laser.

** According to FDA 1040.10 & IEC 60825-1 regulations, laser power output is measured by 7mm aperture stop from a 10 cm distance of the laser.

*** Operation temperature means within this temperature range, the laser spot/line will not be affected to change the spot size/line width. It can still work over this range, but the laser spot size or laser line width will be larger.

ORDER CODE

Order Code	Wavelength	Optical power*	Laser power output**	Laser Class	Connection Type
VLM-520-55 LPO	520 nm	4~5mW	Less than 0.39mW	Class 1M	Lead Wire
VLM-520-55 LPT	520 nm	9~10mW	Less than 0.9mW	Class 2M	Lead Wire

* Optical power is total power output measured at the aperture of the laser.

** According to FDA 1040.10 & IEC 60825-1 regulations, laser power output is measured by 7mm aperture stop from a 10 cm distance of the laser.

SAFETY LABEL

CLASS I LASER PRODUCT

