

**SPECIFICATIONS:**

**Materials:**

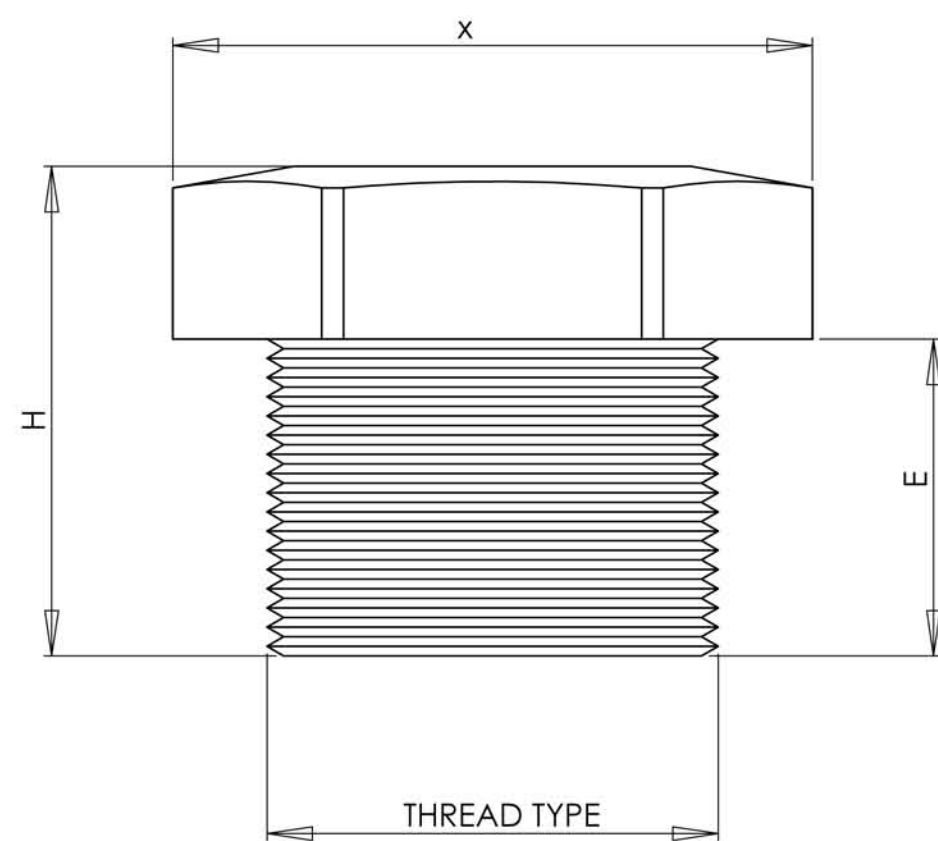
- Nylon, Nickel Plated Brass, or Polypropylene
- Buna-N/Viton® O-Ring seal optional.
- For elevated temperatures, Nickel plated brass plugs with Viton® O-ring are available.

**Operating Temperature:**

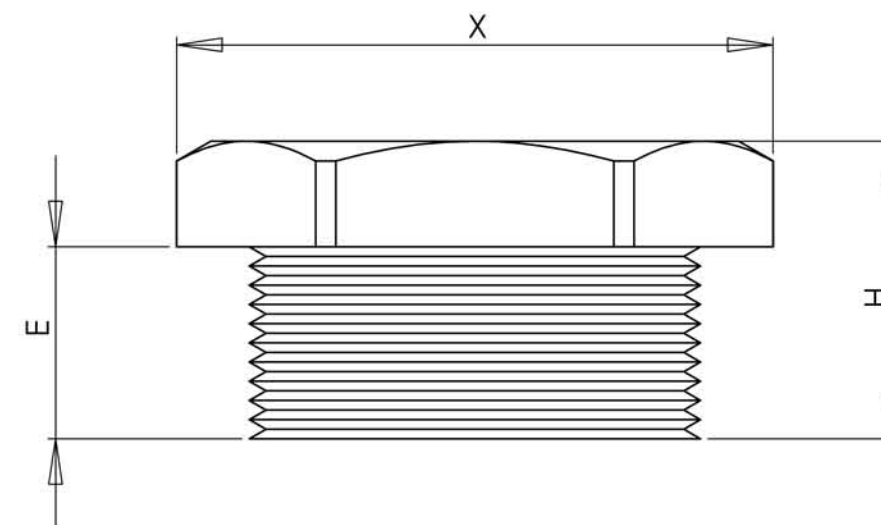
Buna-N: -40°F to 212°F (-40°C to 100°C)  
 Viton®: -40°F to 392°F (-40°C to 200°C)

| PART NUMBERS         |                      | THREAD TYPE AND SIZE<br>For thread specs see page 29 | DIMENSIONS INCHES (MM)   |                        |                        |                          |                        |                      |
|----------------------|----------------------|--|--------------------------|------------------------|------------------------|--------------------------|------------------------|----------------------|
| Nylon Plugs          | Brass Plugs          |  | Nylon                    |                        |                        | Brass                    |                        |                      |
| Black                | Nickel Plated        |  | H<br>Overall Height      | X<br>Wrenching Flat    | E<br>Thread Length     | H<br>Overall Height      | X<br>Wrenching Flat    | E<br>Thread Length   |
| HM-12-BK<br>HP-07-BK | HM-12-BR<br>HP-07-BR | M12 x 1.5<br>PG 7 1/4"NPT                            | .51 (13)<br>.51 (13)     | .59 (15)<br>.59 (15)   | .33 (8.5)<br>.33 (8.5) | .31 (8)<br>.31 (8)       | .55 (14)<br>.55 (14)   | .20 (5)<br>.20 (5)   |
| HP-09-BK<br>HN-38-BK | HP-09-BR             | PG 9<br>NPT 3/8"                                     | .51 (13)<br>.82 (21)     | .75 (19)<br>.75 (19)   | .33 (8.5)<br>.33 (8.5) | .35 (9)<br>--            | .67 (17)<br>--         | .24 (6)<br>--        |
| HM-16-BK<br>HP-11-BK | HM-16-BR<br>HP-11-BR | M16 x 1.5<br>PG 11                                   | .51 (13)<br>.57 (14.5)   | .75 (19)<br>.94 (24)   | .33 (8.5)<br>.35 (9)   | .35 (9)<br>.37 (9.5)     | .75 (19)<br>.81 (20)   | .24 (6)<br>.24 (6)   |
| HM-20-BK<br>HP-13-BK | HM-20-BR<br>HP-13-BR | M20 x 1.5<br>PG 13                                   | .57 (14.5)<br>.57 (14.5) | .94 (24)<br>.94 (24)   | .35 (9)<br>.35 (9)     | .35 (9)<br>.37 (9.5)     | .87 (22)<br>.87 (22)   | .24 (6)<br>.26(6.5)  |
| HN-12-BK<br>HP-16-BK | HP-16-BR             | NPT 1/2"<br>PG 16                                    | .81 (20)<br>.63 (16)     | .94 (24)<br>1.10 (28)  | .55 (14)<br>.41(10.5)  | --<br>.39 (10)           | --<br>.94 (24)         | --<br>.26(6.5)       |
| HM-25-BK<br>HN-34-BK | HM-25-BR             | M25 x 1.5<br>NPT 3/4"                                | .63 (16)<br>.87 (22)     | 1.10 (28)<br>1.12 (28) | .41(10.5)<br>.65 (16)  | .41 (10.5)<br>--         | 1.18 (30)<br>--        | .27 (7)<br>--        |
| HP-21-BK<br>HM-32-BK | HP-21-BR<br>HM-32-BR | PG 21<br>M32 x 1.5                                   | .69 (17.5)<br>.69 (17.5) | 1.42 (36)<br>1.42 (36) | .45(11.5)<br>.45(11.5) | .41 (10.5)<br>.49 (12.5) | 1.18 (30)<br>1.61 (41) | .27 (7)<br>.31 (8)   |
| HN-10-BK<br>HP-29-BK | HP-29-BR             | NPT 1"<br>PG 29                                      | .91 (23)<br>.71 (18)     | 1.36 (34)<br>1.81 (46) | .65 (17)<br>.45(11.5)  | --<br>.49 (12.5)         | 1.61 (41)<br>--        | --<br>.31 (8)        |
| HM-40-BK<br>HP-36-BK | HM-40-BR<br>HP-36-BR | M40 x 1.5<br>PG 36                                   | .71 (18)<br>.79 (20)     | 1.81 (46)<br>2.16 (55) | .45(11.5)<br>.53(13.5) | .51 (13)<br>.51 (13)     | 1.81 (46)<br>1.97 (50) | .31 (8)<br>.31 (8)   |
| HM-50-BK<br>HP-42-BK | HM-50-BR<br>HP-42-BR | M50 x 1.5<br>PG 42                                   | .79 (20)<br>.79 (20)     | 2.16 (55)<br>2.36 (60) | .53(13.5)<br>.53(13.5) | .59 (15)<br>.59 (15)     | 2.16 (55)<br>2.28 (58) | .35 (9)<br>.35 (9)   |
| HP-48-BK<br>HM-63-BK | HP-48-BR<br>HM-63-BR | PG 48<br>M63 x 1.5                                   | .83 (21)<br>.83 (21)     | 2.75 (70)<br>2.75 (70) | .57(14.5)<br>.57(14.5) | .65 (16.5)<br>65 (16.5)  | 2.55 (65)<br>2.75 (70) | .39 (10)<br>.39 (10) |

NYLON/POLYPROPYLENE PLUG



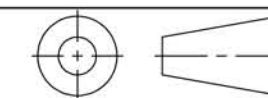
BRASS PLUG



**NOTES:**

- 1) GENERAL DIMENSIONS DRAWINGS.
- 2) DIMENSIONS [ ] ARE IN INCHES.
- 3) DIMENSIONS NOTED ARE FOR REFERENCE ONLY.

Third angle projection



7374 S. EAGLE STREET  
 CENTENNIAL, CO 80112-4221 USA  
 TOLL FREE: 1-800-456-9012  
 PHONE: 303-699-1135  
 EMAIL: [info@SealconUSA.com](mailto:info@SealconUSA.com)  
 WEBSITE: [www.SealconUSA.com](http://www.SealconUSA.com)

