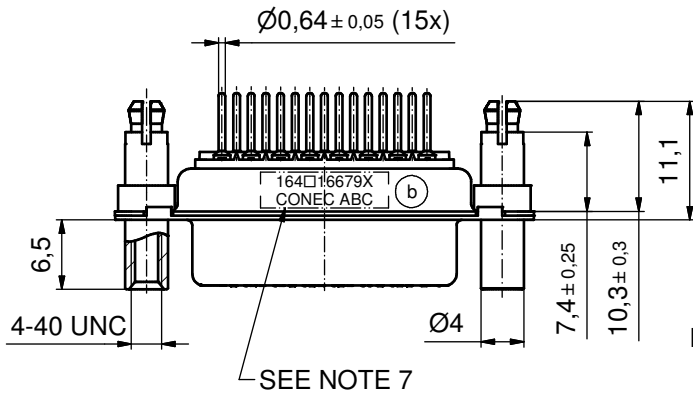
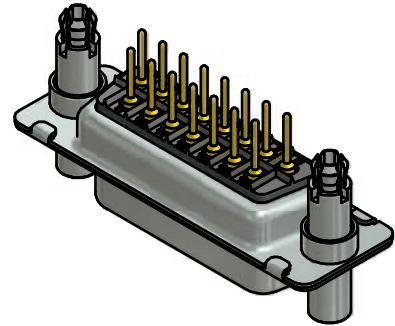
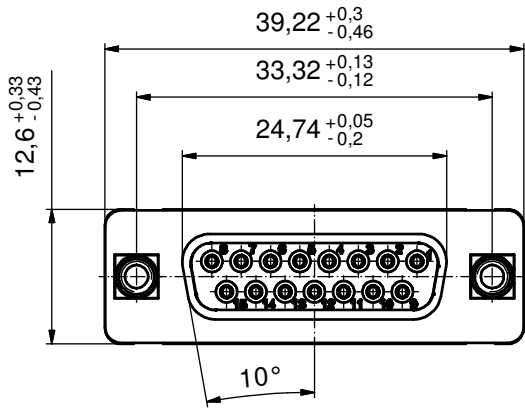
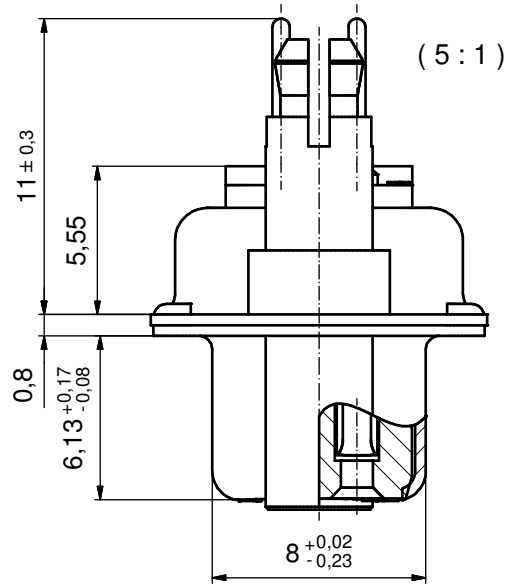


P.C.B. HOLE DRILLINGS
(P.C.B. TOP SIDE)



NOTES:

- METALSHELLS: STEEL; min. 315µm TIN over 40-80µm NICKEL
- INSULATORS: PBT GF UL 94 V-0; BLACK
- SIGNAL CONTACTS: COPPER ALLOY; PLATING (SEE PART NO.):
 PLEASE ADD A for GOLD FLASH over NICKEL (PREFERRED TYPE)
 PLEASE ADD B for 20µm HARD GOLD over min. 50µm NICKEL
 PLEASE ADD C for 30µm HARD GOLD over min. 50µm NICKEL
- THREADED LOCK AND SPACER CLIPS: COPPER ALLOY;
min. 200µm TIN over 80µm NICKEL
PCB-HOLES: $\phi 3,1 \pm 0,1$; PCB THICKNESS 1,6mm
- COLLARS: COPPER ALLOY; min. 200µm TIN over 80µm NICKEL
- MAXIMUM TORQUE VALUE FOR THREAD: 6 in.LB
- CONNECTOR IS PART MARKED: 164□16679X CONEC ABC (see note 3)

Directive 2002/95/EC RoHS compliant

THIS DRAWING MAY NOT BE COPIED OR REPRODUCED IN ANY WAY, AND MAY NOT BE PASSED ON TO A THIRD PARTY WITHOUT WRITTEN PERMISSION. OWNERSHIP AND COPYRIGHT OF CONEC GmbH

DO NOT ALTER CAD DRAWING BY HAND

				tolerance		dim. in mm
				date	name	
drawn	04.07.13			Henneboel		
appd.	08.07.13			Fischer		
				norm		
				d-old 16K1IKWA/16K2IKWA		
3 x b	A4824	04.07.2013	K.H.			
a	Original					
rev.	description	date	name			

scale:	2:1 (5:1)	
material:	SEE NOTES	
title:		
D-SUB FEMALE 15pos. SOLDER PIN STRAIGHT with threaded lock and spacer clip		
dwg no:	(b) 16K1A3270	DIN-A3
part no:	164□16679X (see note 3)	sh: 1