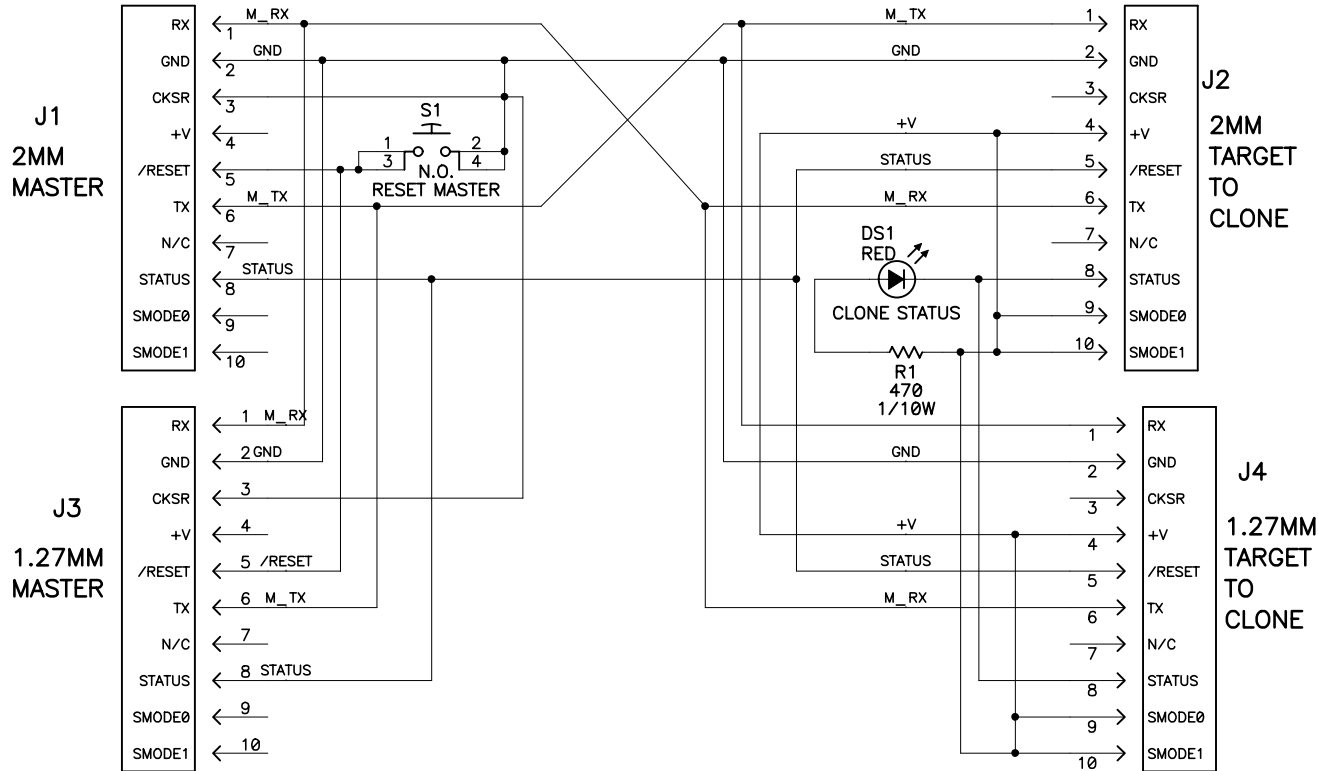


REVISION HISTORY

REVISION APPROVAL

REV	ECO	DESCRIPTION	PROJECT ENGINEER	APPROVAL DATE	DOCUMENT CONTROL	APPROVAL DATE
A	E12135	INITIAL RELEASE	DM	12/6/02	KIS	12/5/02



APPEND THE FOLLOWING DOCUMENTS WHEN CHANGING THIS DOCUMENT:

DRAWING CONTENT:

DRAWN BY: (INITIAL RELEASE)
DARREN MUSGROVE 12NOV02

REVISED BY:

APPROVALS: INITIAL RELEASE

PROJECT ENGINEER:
DARREN MUSGROVE 12/6/02
ENGINEERING MANAGER:
R.MATTHEWS 12/9/02

SIGNATURES DATE

TITLE SCHEMATIC DIAGRAM
RABBIT CLONING
CABLE BOARD 3V/5V
1.27/2MM



2900 SPAFFORD ST.
DAVIS, CA 95616
530 - 757 - 4616

SIZE **A** DWG NO. 090-0167

Copyright 2002,
Z-World, Inc.

SCALE NONE RELEASE DATE SHEET 1 OF 1