


SIGN	DATE	DESCRIPTION	APPROVER
△	2009.01.21	CUL approval added	Lee
△	2009.01.21	Torque changed from 1.7 to 1.1Lb-In	Lee
△	2013.12.13	Updated temp ratings	Lee

**Material**

- Contact pin: Brass(Cuzn) Ni plated
- Terminal screw: Steel Zinc plating:“-“slot type
- Wire guard: PhBz
- Insulator (housing): Thermoplastic (UL94V-0)

**Electrical**

- Voltage rating: 150VAC
- Current rating: 10A
- Wire range:
  - Solid wire(AWG): 16-28
  - Stranded wire(AWG):16-28
- △ ● Torque(Lb-In): 1.1
- Screw: M2
- Wire strip length: 5-6mm
- Withstanding Voltage: 1.3KV
- △ ● Operating temperature: -40°C to +115°C
- △ ● Safety Approval:  us

RoHS Compliant

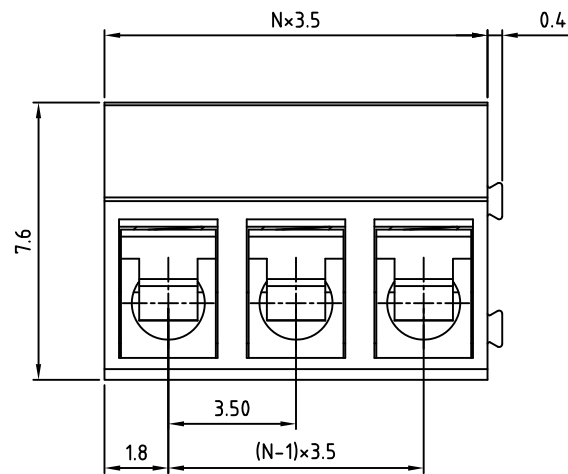
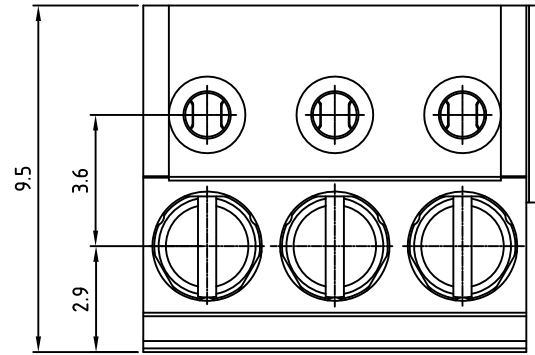
PART NUMBER:

**OSTEHXX2160**

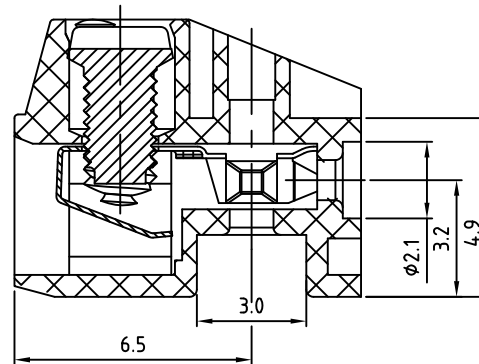
- No. of Poles
- 02 2 Poles
  - 03 3 Poles
  - ...
  - 24 24 Poles

COLOR

- 0: Black
- 5: Green
- 6: Blue (Standard)
- 8: Grey



N=Number of poles



THESE DRAWINGS AND SPECIFICATIONS ARE THE PROPERTY OF ON-SHORE TECHNOLOGY, INC. AND SHALL NOT BE REPRODUCED, COPIED OR USED IN ANY MANNER WITHOUT THE PRIOR WRITTEN CONSENT OF ON-SHORE TECHNOLOGY, INC.



TITLE		OSTEH - 3.5mm Series			
PART NO.	OSTEHXX2160	DWG NO.	OSTEHXX2160.DWG		
APPROVED	CHECKED	DESIGNED	DRAWN	CUST NO.	Tolerance
Shi Jun 2013.12.13	Shi Jun 2013.12.13	Shi Jun 2013.12.13	Shi Jun 2013.12.13		X. ±0.50 X.X ±0.30 X.XX ±0.10 X° ±1°
				UNIT: mm	
				SCALE: NONE	
				SHEET: 01/01	REV: D