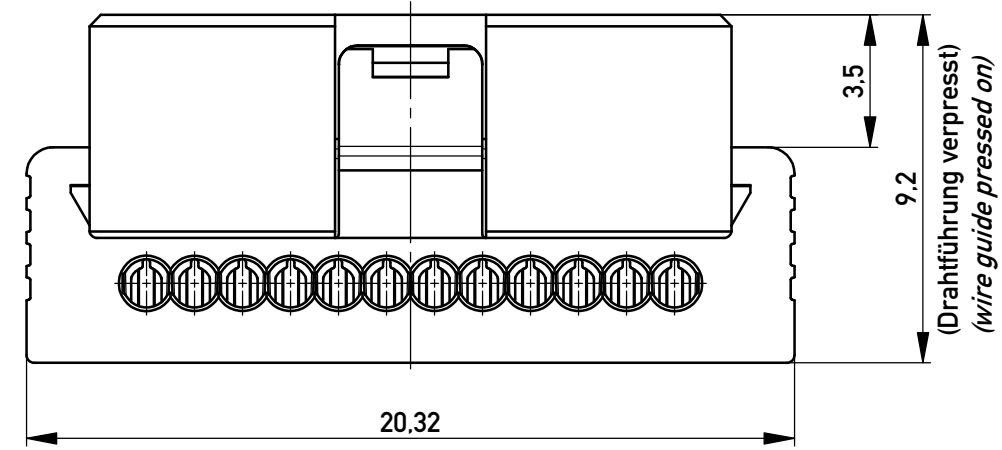
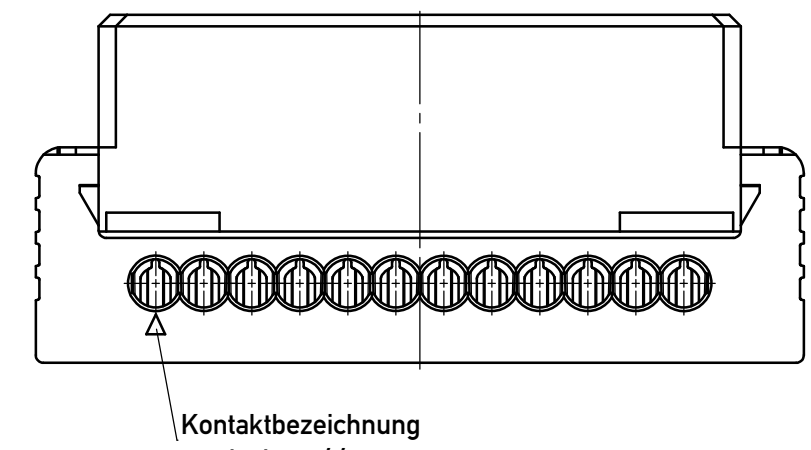
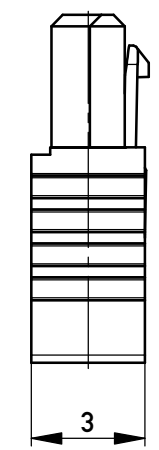


Kabelführung: rot
cable guide: red

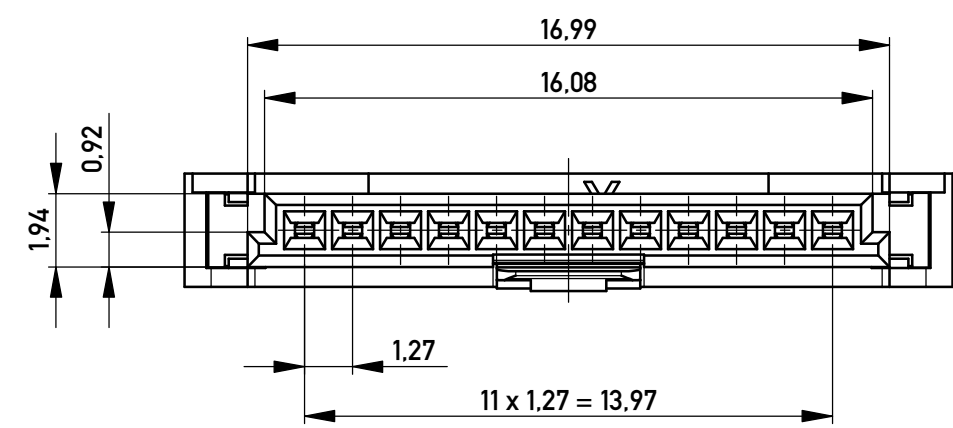
mit aufgesetzter Drahtführung
(Anlieferungszustand)
with wire guide mounted
(state at time of supply)



(Drahtführung verpresst)
(wire guide pressed on)

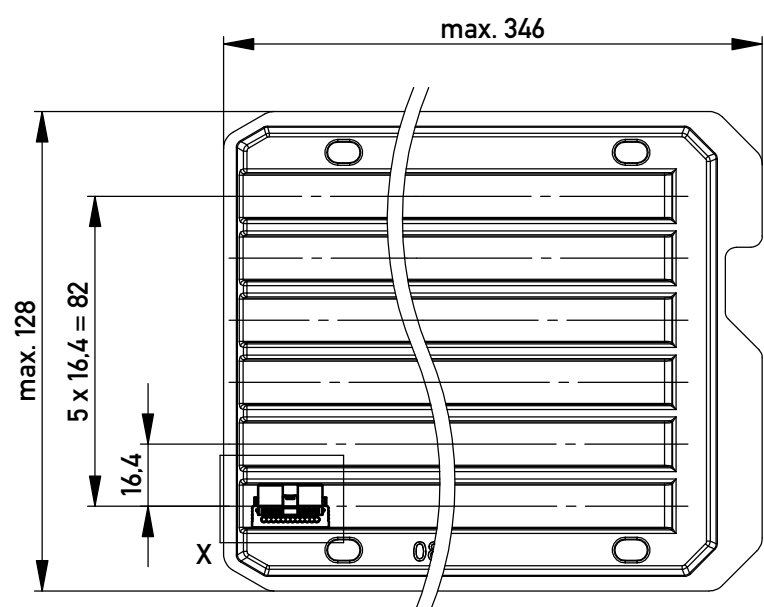
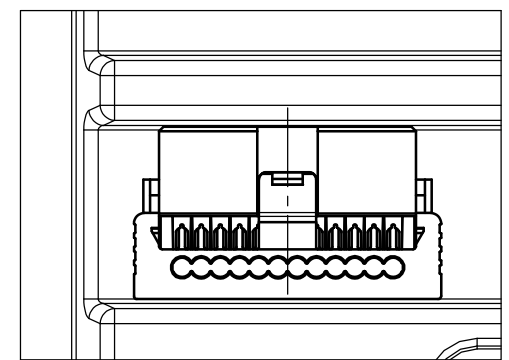


Kontaktbezeichnung
contact marking



Verpackt in Tray - tray packaging
Verpackungseinheit 90 Stück - packaging unit: 90 pcs

Einzelheit X - detail X
M 2:1



* Federkontakt AWG 22 - Female Contact AWG 22
Kabelführung $\varnothing 1,27$ - cable guide $\varnothing 1,27$

nur mit Hilfsmittel lösbar
only with tool unlockable

Information: All rights reserved. Only for Information. To ensure that this is the latest version of this drawing, please contact one of the ERNI companies before using.	Tolerances Subject to modification without prior notice. Drawing will not be updated.	 All Dimensions in mm	Scale 5:1	Designation 1,27 SRC P SKV, 12-pol. d=1,27 1,27 SRC P IDC, 12-pin d=1,27
			www.ERNI.com	
Index	Date	Class	SRCP	1 A3

Copyright by ERNI GmbH
Proprietary notice pursuant to ISO 16016 to be observed.