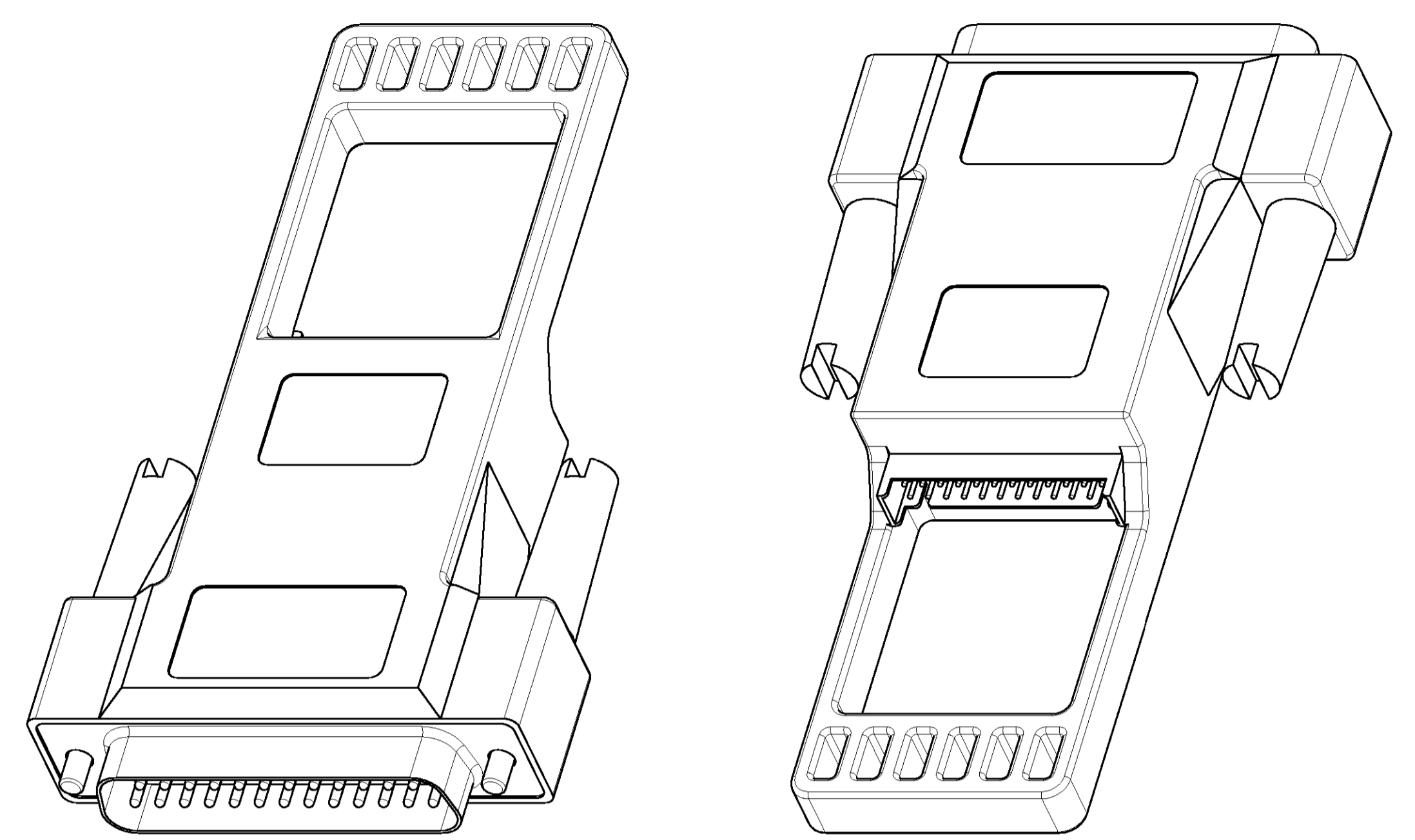


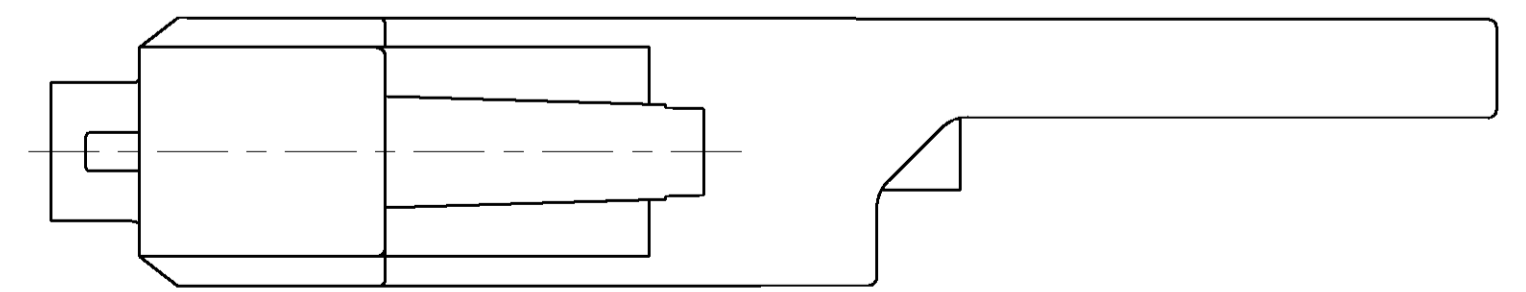
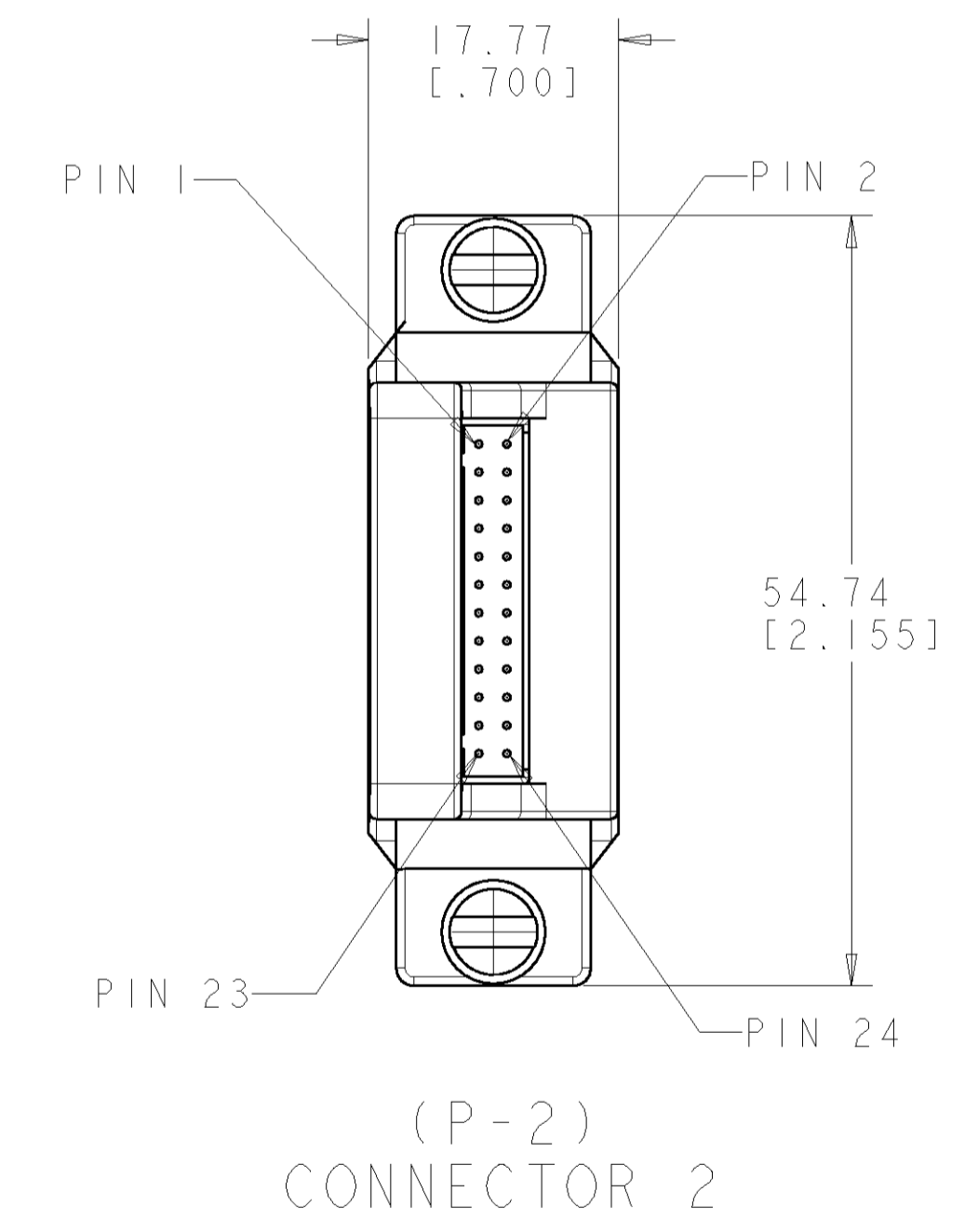
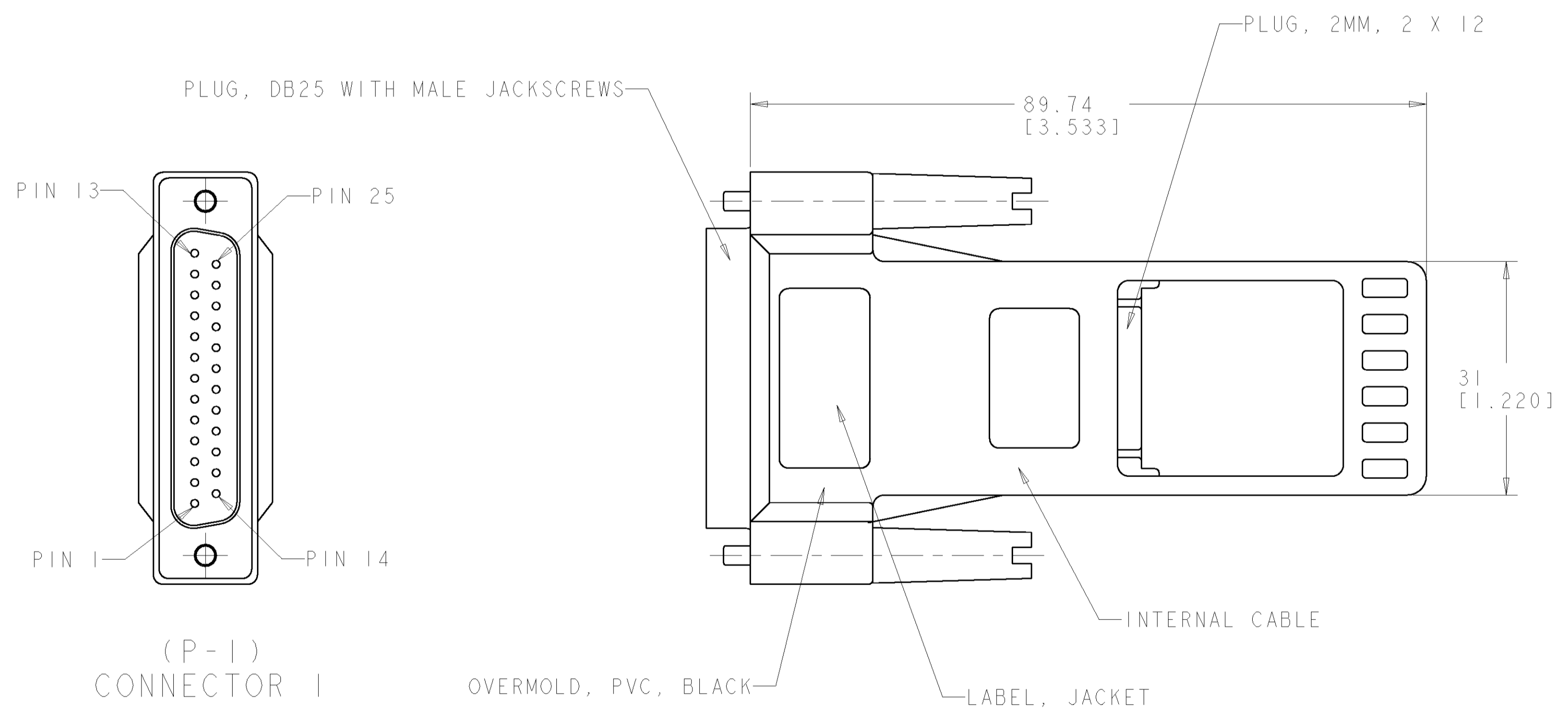
LOC	DIST	REVISIONS					
		P	LTR	DESCRIPTION	DATE	DWN	APVD
HM	00	A		NSD05-065	01SEP05	JM	PP



- 1 ADAPTOR SHALL BE WIRED PER WIRING TABLE, SEE TABLE.
- 2 PIN 1 OF CONNECTOR 1 NOT CONNECTED.
- 3. ONE ADAPTOR PER HEAT SEALED BAG (BAG NOT SHOWN).

WIRING TABLE

DB25 P1	2.0mm P2
13	1
25	2
12	3
24	4
11	5
23	6
10	7
22	8
9	9
21	10
8	11
20	12
7	13
19	14
6	15
18	16
5	17
17	18
4	19
16	20
3	21
15	22
2	23
14	24
1	---



<small>THIS DRAWING IS UNPUBLISHED. RELEASED FOR PUBLICATION. ALL RIGHTS RESERVED. THIS DRAWING IS THE PROPERTY OF TYCO ELECTRONICS CORPORATION. IT IS TO BE USED ONLY FOR THE PURPOSES AND CONDITIONS SPECIFIED IN THE ORDER. NO PARTS OF THIS DRAWING ARE TO BE REPRODUCED OR TRANSMITTED IN ANY FORM OR BY ANY MEANS, ELECTRONIC OR MECHANICAL, INCLUDING PHOTOCOPYING, RECORDING, OR BY ANY INFORMATION STORAGE AND RETRIEVAL SYSTEM, WITHOUT THE WRITTEN PERMISSION OF TYCO ELECTRONICS CORPORATION.</small>		DWN P. PEPE CHK P. PEPE APVD P. PEPE	DTSEP05 DTSEP05 DTSEP05	<b>tyco</b> Electronics Tyco Electronics Harrisburg, PA 17105-3608
DIMENSIONS: mm [INCHES]		TOLERANCES UNLESS OTHERWISE SPECIFIED: 0 PLC ± 1 PLC ± 2 PLC ± 3 PLC ± 4 PLC ± ANGLES ± FINISH		NAME ADAPTOR, DB25 PLUG TO 2MM PLUG
MATERIAL - FINISH -		WEIGHT - CUSTOMER DRAWING		SIZE CAGE CODE DRAWING NO RESTRICTED TO A 100779 C-1499641 - SCALE 2/1 SHEET 1 OF 1 REV A