

NOTES:

1. MATERIALS AND FINISHES:

- HEX NUT - BRASS, WHITE BRONZE PLATING
- LOCK WASHER - BRASS, WHITE BRONZE PLATING
- BODY - BRASS, WHITE BRONZE PLATING
- CONTACT - BERYLLIUM COPPER, GOLD PLATING
- LEG - BRASS, BRIGHT TIN PLATING
- O-RING - SILICONE RUBBER, RED
- INSULATOR - PTFE, NATURAL

5- $\varnothing 1,3^{+0,1}_0$   
[.051 $\pm$ .004]

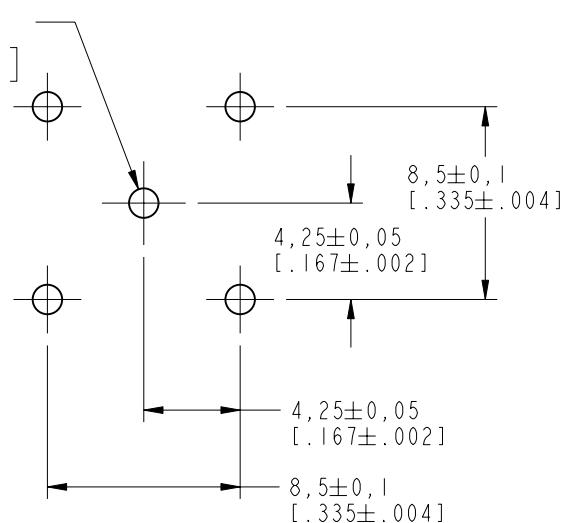
2. ELECTRICAL:

- A. IMPEDANCE: 50 OHM
- B. FREQUENCY RANGE: 0-11 GHz
- C. D.W.V: 2500 VRMS, MIN.

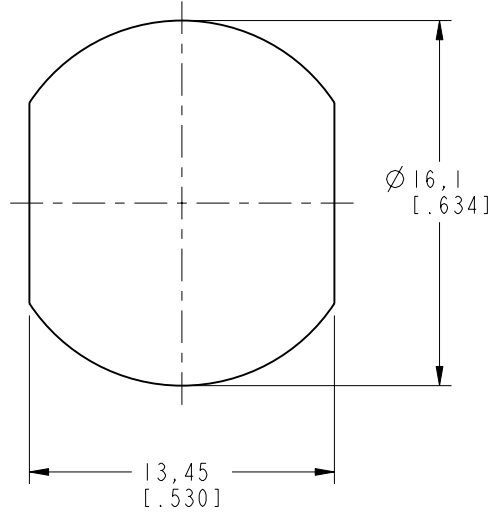
3. MECHANICAL:

- A. DURABILITY: 500 CYCLES MIN.
- B. TEMPERATURE RANGE: -65°C TO +165°C

4. MAX. PANEL THICKNESS = 8.5 MM

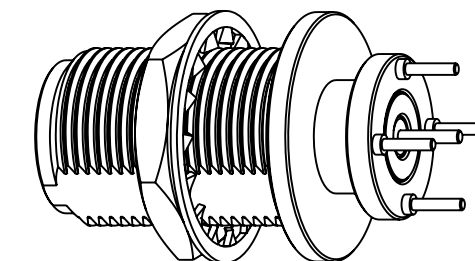


PCB LAYOUT HOLE

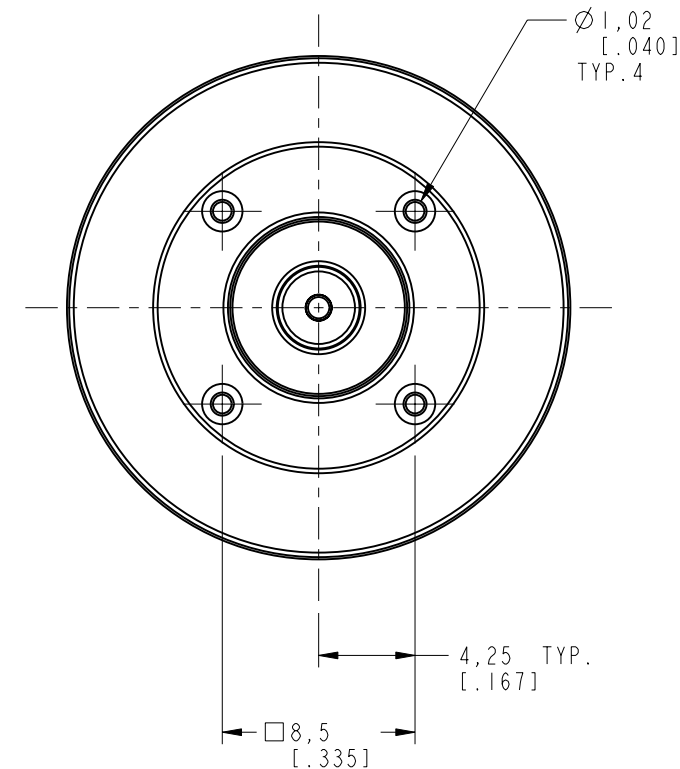
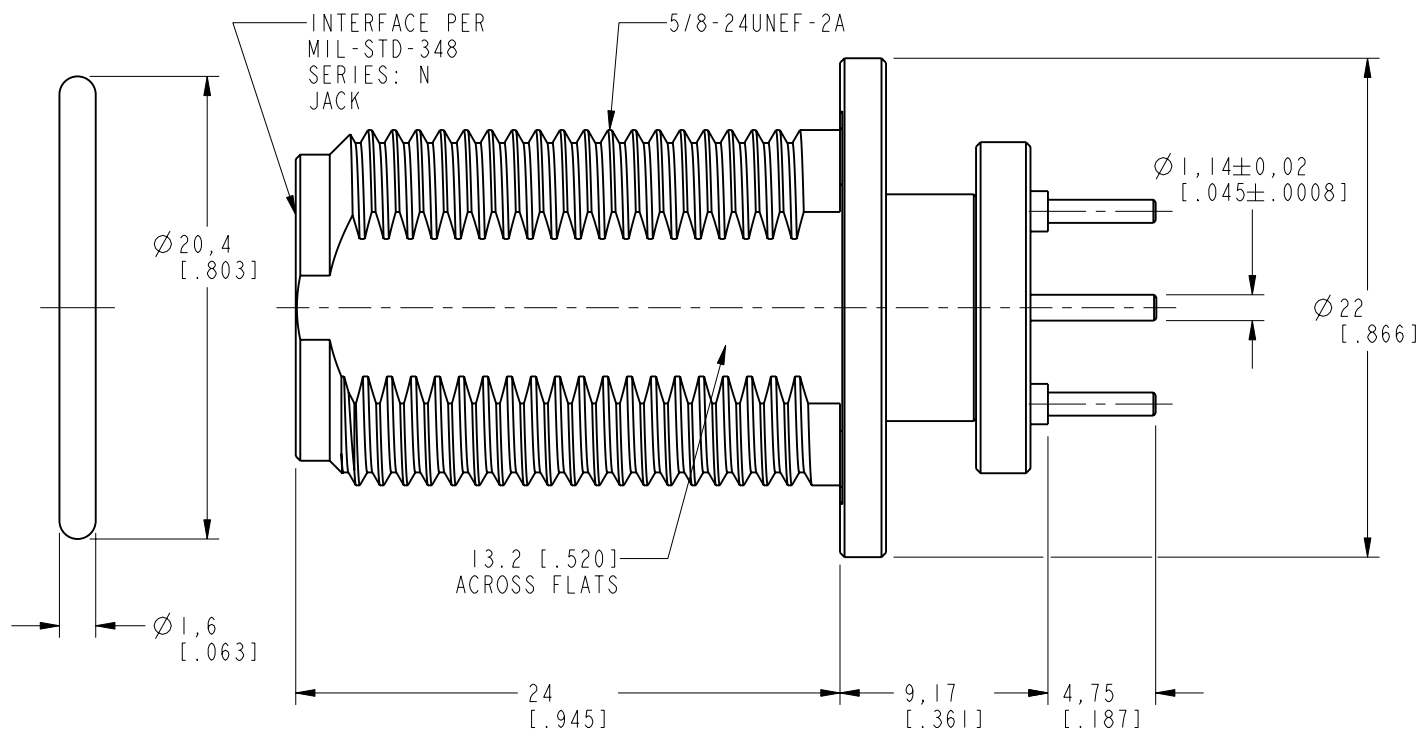
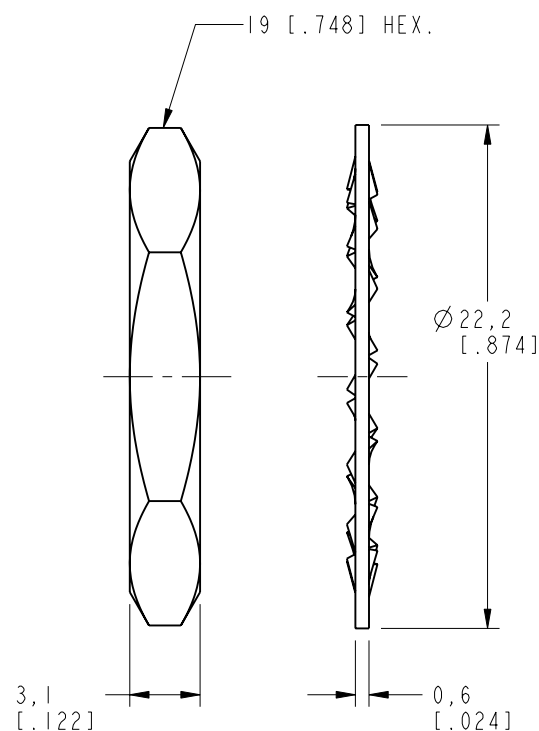


RECOMMENDED MOUNTING HOLE

REVISIONS				
REV	DESCRIPTION	DATE	ECO	APPR
NC	INITIAL RELEASE	28-Apr-99	-----	GRS
A	MODIFY PART VIEWS/ADD NOTE 1	01-Jun-99	-----	GRS
B	UPDATE PART CALL OUT/DRAWING FORMAT	26-Oct-17	-----	MZ
C	UPDATE BILL OF MATERIAL	10-Oct-06	-----	GRS
D	ADD MOUNTING HOLE & PCB LAYOUT HOLE	14-May-09	2097	GRS
E	ADD THE TOLERANCE OF $\varnothing 1.14$	15-Sep-10	2155	SL
F	SYNC, UPDATE DRAWING FORMAT	28-Mar-13	-----	SL
G	THE BODY & LEG WERE CHANGED	08-Nov-17	05724	SH



SCALE 1:500



**CUSTOMER OUTLINE DRAWING**  
ALL OTHER SHEETS ARE FOR INTERNAL USE ONLY

UNLESS OTHERWISE SPECIFIED, DIMENSIONS ARE IN METRIC AND TOLERANCES ARE:  
 < 0.5mm ± 0.05mm    0.5 - 6mm ± 0.1mm    6 - 30mm ± 0.2mm    30 - 120mm ± 0.3mm    ANGLES ± 1°

NOTICE - These drawings, specifications, or other data (1) are, and remain the property of Amphenol corp. (2) must be returned upon request; and (3) are confidential and not to be disclosed to any person other than those to whom they are given by Amphenol Corp. the furnishing of these drawings, specifications, or other data by Amphenol Corp., or to any other person to anyone for any purpose is not to be regarded by implication or otherwise in any manner licensing, granting rights to permitting such holder or any other person to manufacture, use or sell any product, process or design, patented or otherwise, that may in any way be related to or disclosed by said drawings, specifications, or other data.

MATERIAL	DRAWN M. ZHANG	DATE 08-Nov-17
REFERENCE AND CONFIGURATION LEVEL:	ENGINEER F. WANG	DATE 02-Apr-12
FINISH	APPROVED S. HSIEH	DATE 08-Nov-17
	CAD FILE	

TITLE N BULKHEAD P.C.B. MOUNT RECEPT. JACK,
SCALE: 3.0:1.0
DWG SIZE B

SHEET 2 OF 2	REV G
--------------	----------

Amphenol RF www.amphenolrf.com
DRAWING NO. N645100-003-T/AT3G-50
ITEM NO. 036451AAA1TV5F
PART NO. 172243