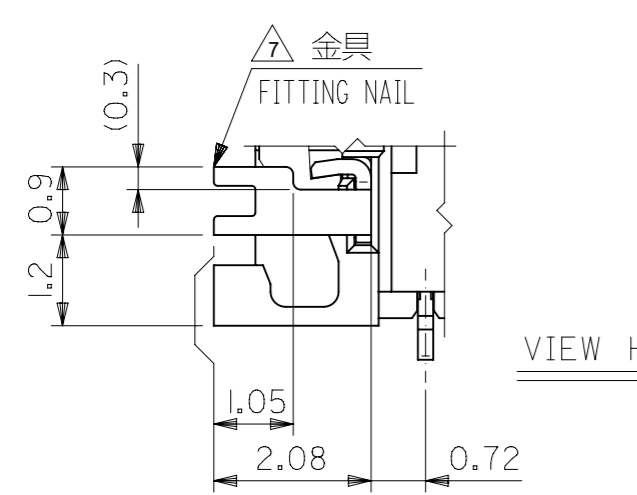


SECT. J-J  
SCALE 20:1



0.3 ±0.03	12.65	16	11.5	17.2	54550-2433	24
	10.65	14	9.5	15.2	54550-2033	20
	9.65	13	8.5	14.2	54550-1833	18
	8.15	11.5	7	12.7	54550-1533	15
	6.65	10	5.5	11.2	54550-1233	12
	5.65	9	4.5	10.2	54550-1033	10
	5.15	8.5	4	9.7	54550-0933	9
	4.65	8	3.5	9.2	54550-0833	8
	3.65	7	2.5	8.2	54550-0633	6
3.15	6.5	2	7.7	54550-0533	5	
THICKNESS OF FPC	D	C	B	A	EMBOSSED TAPE	極数
					ORDER No. オーダー番号	CK+

CONNECTOR SERIES NO. : 54550-\*\*22

THIS DRAWING CONTAINS INFORMATION THAT IS PROPRIETARY TO MOLEX ELECTRONIC TECHNOLOGIES, LLC AND SHOULD NOT BE USED WITHOUT WRITTEN PERMISSION

SCALE: mm NTS

GENERAL TOLERANCES (UNLESS SPECIFIED)

PLACES	MM	INCH
4 PLACES	±	±
3 PLACES	±	±
2 PLACES	±	±
1 PLACE	±	±
0 PLACES	±	±

ANGULAR TOL ± 3.0°

DRAFT WHERE APPLICABLE MUST REMAIN WITHIN DIMENSIONS

THIRD ANGLE PROJECTION

DRAWING: A3-SIZE

SERIES: 54550

MATERIAL NUMBER: SEE TABLE

CUSTOMER: GENERAL MARKET

SHEET NUMBER: 1 OF 2

EC NO: 636343  
DRWN: AKUMAR19 2020/04/20  
CHK'D: GGA 2020/07/10  
APPR: GGA 2020/07/10

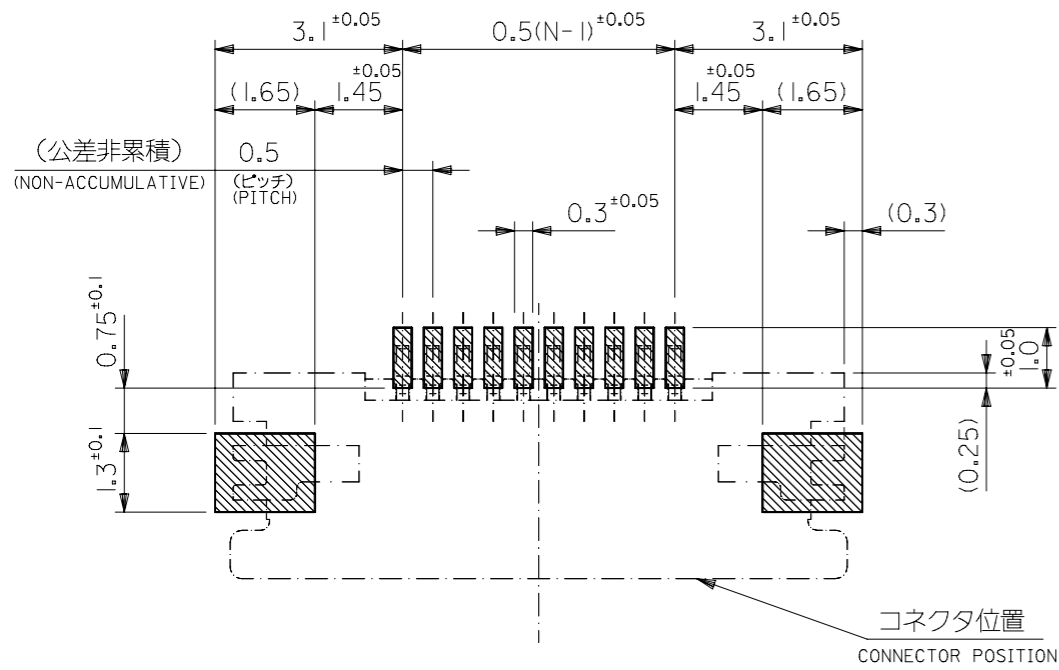
INITIAL REVISION:  
DRWN: NKONDO 2012/09/13  
APPR: KMORIKAWA 2013/03/15

DOCUMENT NUMBER: SD-54550-075  
DOC TYPE: PSD  
DOC PART: 001  
REVISION: B

PRODUCT CUSTOMER DRAWING

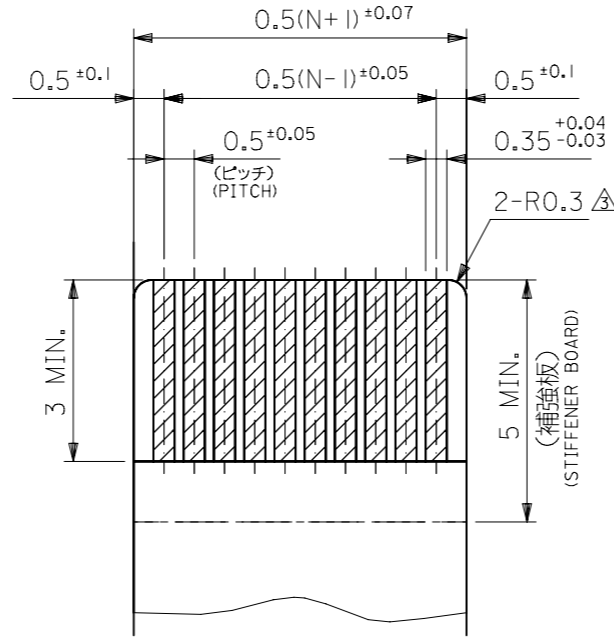
GENERAL TOLERANCES (UNLESS SPECIFIED)

10 <sup>UNDER</sup>	±0.2
10 <sup>OVER</sup> 30 <sup>UNDER</sup>	±0.25
30 <sup>OVER</sup>	±0.3

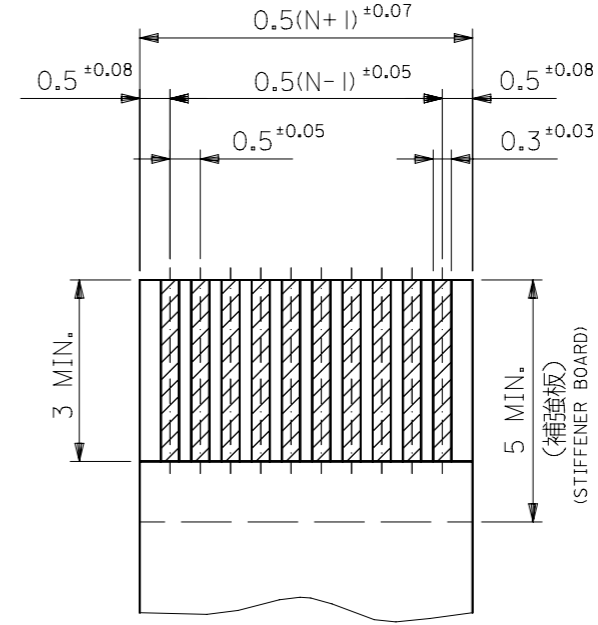


**推奨基板レイアウト**  
RECOMMENDED P.C.BOARD  
PATTERN DIMENSION  
(マウント面)  
(MOUNTING SIDE)

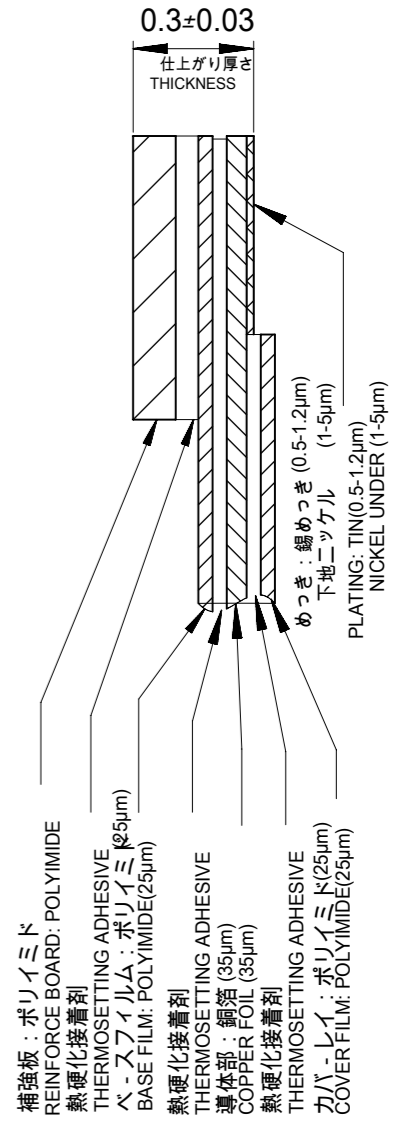
マスク厚 : 100μm  
マスク開口率 : 100%  
SCREEN THICKNESS : 100μm  
SCREEN OPEN RATIO : 100%



**適合FPC推奨寸法**  
APPLICABLE FPC  
RECOMMENDED DIMENSION  
(仕上がり厚さ:表参照)  
(THICKNESS:SEE CHART)



**適合FFC推奨寸法**  
APPLICABLE FFC  
RECOMMENDED DIMENSION  
(仕上がり厚さ:表参照)  
(THICKNESS:SEE CHART)



**FPC構成推奨仕様**  
STRUCTURE OF FPC

**注記 NOTES**

1. 使用材料 MATERIAL
- ハウジング : 液晶がマ- (LCP)、ナチュラル(白色)、ガラス充填、UL94V-0
  - HOUSING LIQUID QLYSTAL POLYMER, NATURAL(WHITE), GLASS FILLED, UL-94V0
  - アクチュエータ : ポリフェニレンサルファイド(PPS)、ナチュラル(茶色) ガラス充填、UL94V-0
  - ACTUATOR POLYPHENYRENE SULFIDE, NATURAL(BROWN), GLASS FILLED, UL-94V0
  - ターミナル : リン青銅 (t=0.2)
  - TERMINAL PHOSPHOR BRONZE (t=0.2)
  - 金具 : リン青銅 (t=0.2)、FITTING NAIL PHOSPHOR BRONZE (t=0.2)

△ソルダーテール半田付け面のズレ量、及び金具半田付け面のズレ量は、基準面 Z に対し上方向 0MAX、下方向 0.15MAX. とし 相互のバラツキ量は 0.1MAX. とする。  
MISALIGNMENT OF SOLDER TAILS AND FITTING NAILS FROM UPPER DIRECTION: 0 MAX., LOWER DIRECTION: 0.15 MAX. OFFSET BETWEEN UPPER AND LOWER 0.1 MAX.

△偶数極に適用。  
APPLY FOR EVEN CIRCUIT.

△パターンはくり止め用金具  
FITTING NAIL FOR PREVENTION OF PEELING OF P.C.B. PATTERN.

**8. ELV及びRoHS適合品**  
ELV AND RoHS COMPLIANT

2. めっき仕様 PLATING
- ターミナル TERMINAL
  - 錫銀ビスマスマッキ(1.0μm以上)
  - 下地:ニッケルメッキ(1.0μm以上)
  - TIN SILVER BISMUTH PLATING (1.0 MICROMETER MINIMUM)
  - UNDER PLATE : NICKEL PLATING (1.0 MICROMETER MINIMUM)
  - 金具 FITTING NAIL
  - 錫メッキ(1.0μm以上)
  - 下地:ニッケルメッキ(1.0μm以上)
  - TIN PLATING
  - TIN PLATING (1.0 MICROMETER MINIMUM)
  - UNDER PLATE : NICKEL PLATING (1.0 MICROMETER MINIMUM)

△ R0.3はFPCの導体部にかからないこと  
R0.3 MUST NOT BE OVERLAPED TO PATTERN OF FPC.

4. エンボステープ梱包時は、アクチュエータがロックした状態とする。  
IN THE PACKAGE,ACTUATOR OF PART NO.54550-\*\*22 SHOULD BE LOCKED.

**FPC/FFCについて ABOUT FPC/FFC**

打ち抜き方向は導体側から補強板側を推奨します。  
導体部については軟箔銅35μmまたは50μmを推奨します。  
RECOMMENDED PUNCHING DIRECTION: FROM CONDUCTOR SIDE TO STIFFENER SIDE  
RECOMMENDED CONDUCTOR SPEC: SOFT COPPER FOIL  
RECOMMENDED CONDUCTOR THICKNESS: 35 MICROMETER OR 50 MICROMETER

**FPCについて ABOUT FPC**

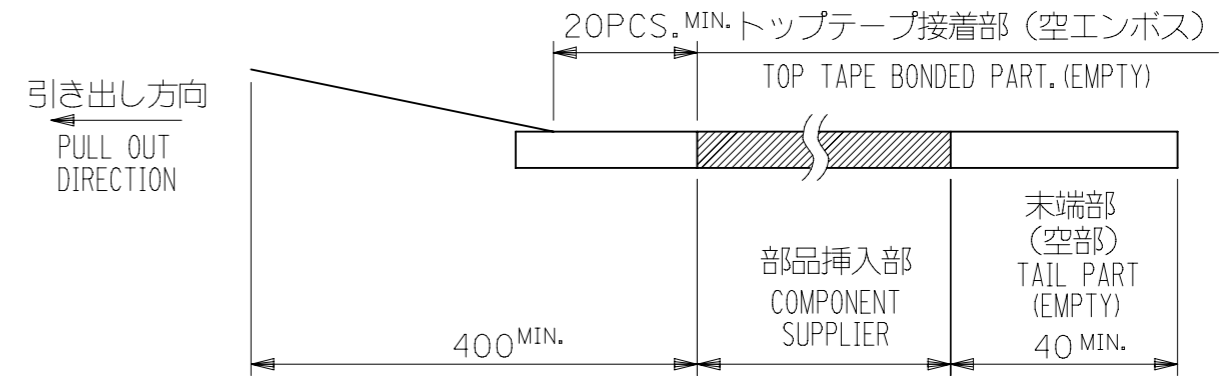
補強フィルム材質はポリイミドを推奨します。ベースフィルムは25μmを推奨します。  
接着剤は熱硬化接着剤を推奨します。  
尚、接着剤の接点部への付着は導通不良の原因になりますので、染み出しが無い様、お願い致します。  
RECOMMENDED STIFFENER MATERIAL: POLYIMIDE  
RECOMMENDED BASE FILM THICKNESS: 25 MICROMETER  
RECOMMENDED ADHESIVE: THERMOSETTING ADHESIVE  
NOTE: PLEASE PUT APPROPRIATE AMOUNT OF ADHESIVE ON ADHEREND BECAUSE THERE IS A POSSIBILITY THAT THE EXTRA ADHESIVE CAUSES THE DEFECT IN ELECTRICAL CONTINUITY.

GENERAL TOLERANCES (UNLESS SPECIFIED)	
10 <sup>UNDER</sup>	±0.2
10 <sup>OVER</sup> 30 <sup>UNDER</sup>	±0.25
30 <sup>OVER</sup>	±0.3

THIS DRAWING CONTAINS INFORMATION THAT IS PROPRIETARY TO MOLEX ELECTRONIC TECHNOLOGIES, LLC AND SHOULD NOT BE USED WITHOUT WRITTEN PERMISSION		54550-**22 MODEL No.	
CURRENT REV DESC: OBSOLETE PART NUMBER		<b>molex</b>	
EC NO: 636343 DRWN: AKUMAR19 2020/04/20 CHK'D: GGA 2020/07/10 APPR: GGA 2020/07/10			
GENERAL TOLERANCES (UNLESS SPECIFIED)		0.5MM FPC CONN ZIF R/A HOUSING ASSY (UPPER CONTACT)	
PRODUCT CUSTOMER DRAWING		DOCUMENT NUMBER SD-54550-075	
INITIAL REVISION: DRWN: NKONDO 2012/09/13 APPR: KMORIKAWA 2013/03/15		DOC TYPE PSD	DOC PART 001
DRAFT WHERE APPLICABLE MUST REMAIN WITHIN DIMENSIONS		CUSTOMER GENERAL MARKET	SHEET NUMBER 2 OF 2

NOTES

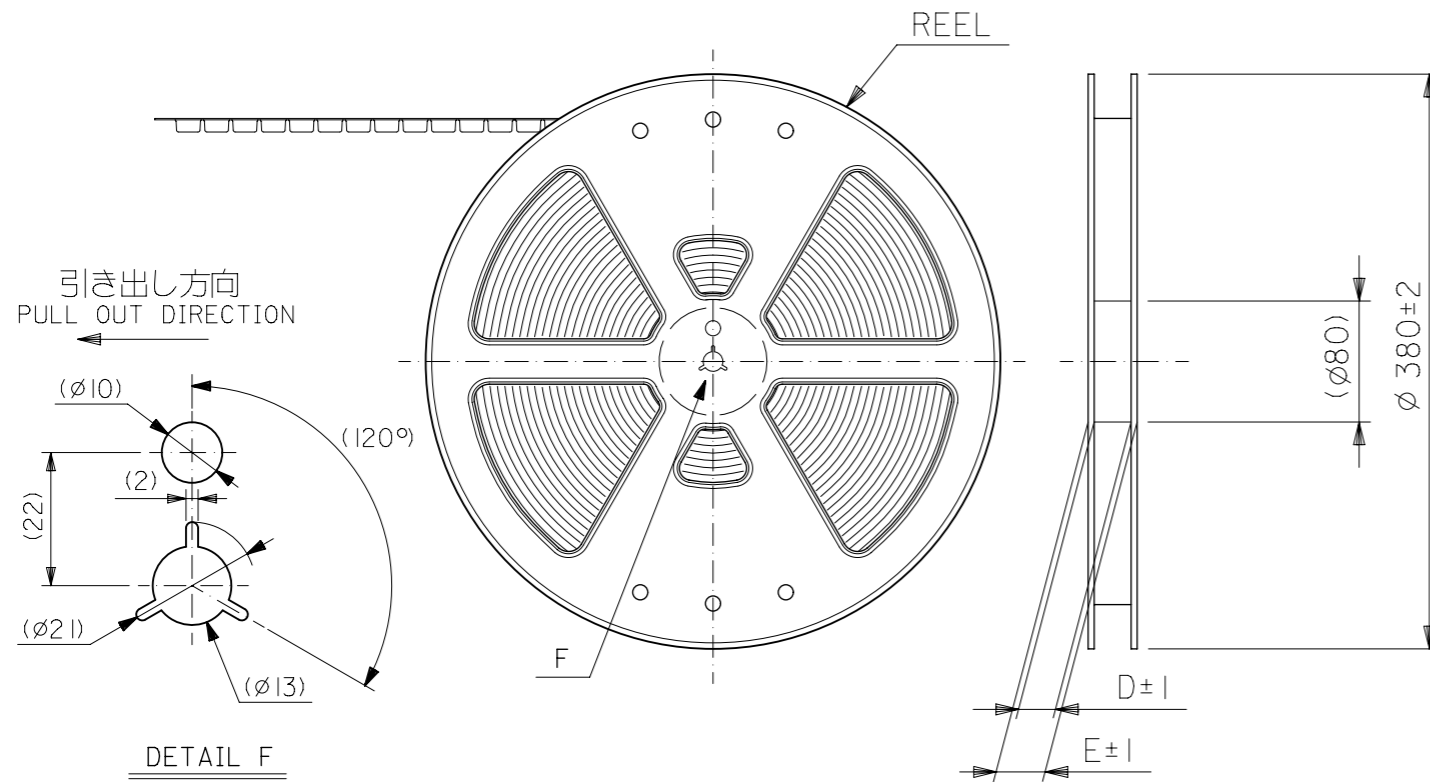
- 製品詳細寸法については図面 54550-\*\*\*22 を参照下さい。  
RE DETAILED DIMENSION, SEE 54550-\*\*\*22
- 梱包数量：3000個/リール  
NUMBER OF CONNECTORS : 3000PCS/REEL
- リードテープ長さ LEAD TAPE LENGTH



4. カバーテープの剥離強度については、IEC60286-3に準拠  
Cover tape peel force is defined by IEC60286-3.

5. 材料 (MATERIAL)  
 キャリアテープ (CARRIER TAPE) : ポリプロピレン (POLYPROPYLENE)  
 トップテープ (TOPTAPE) : PET, PE, PEF  
 リール (REEL) : ポリスチレン (P.S) <リサイクル材を含む>  
 POLYSTYRENE (PS) <RECYCLE MATERIAL CONTAINED>

6. ELV及びRoHS適合品  
 ELV AND RoHS COMPLIANT

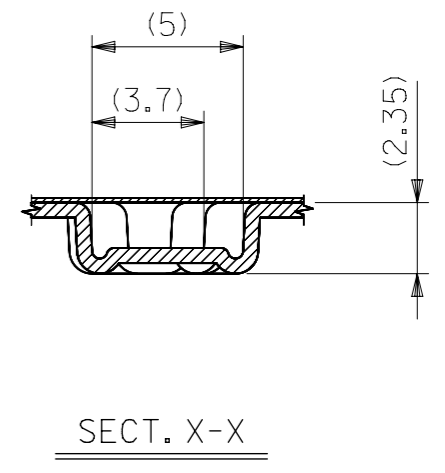
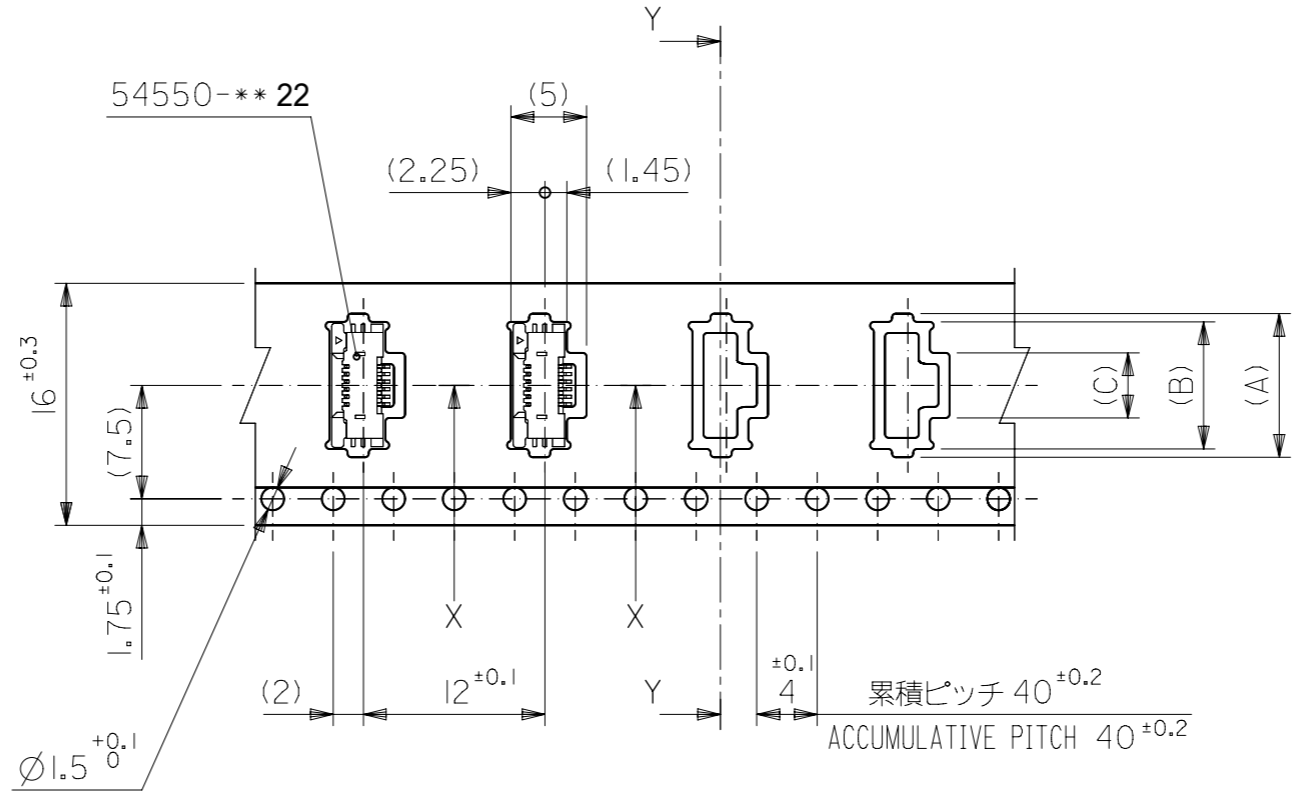
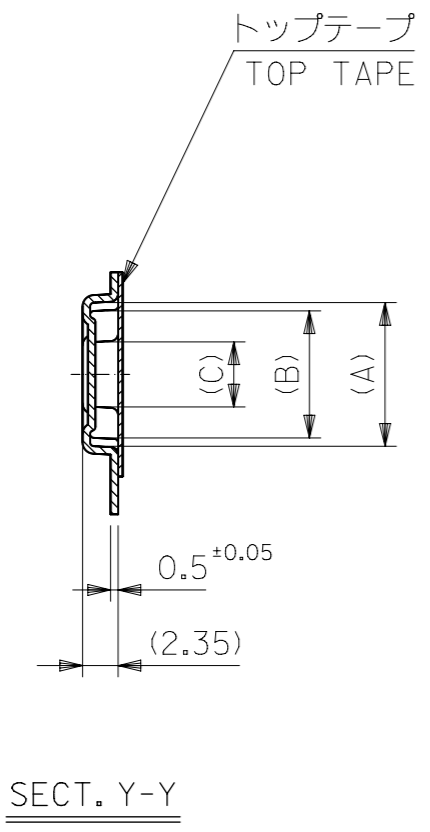


54550-\*\*\*33 MODEL No.

THIS DRAWING CONTAINS INFORMATION THAT IS PROPRIETARY TO MOLEX ELECTRONIC TECHNOLOGIES, LLC AND SHOULD NOT BE USED WITHOUT WRITTEN PERMISSION		CURRENT REV DESC: OBSOLETE PART NUMBER		<b>molex</b>	
GENERAL TOLERANCES (UNLESS SPECIFIED)		EC NO: 636343 DRWN: AKUMAR19 2020/04/20 CHK'D: GGA 2020/07/10 APPR: GGA 2020/07/10			
GENERAL TOLERANCES (UNLESS SPECIFIED)		INITIAL REVISION: DRWN: NKONDO 2012/09/13 APPR: KMORIKAWA 2013/03/15		PRODUCT CUSTOMER DRAWING	
10 <sup>UNDER</sup> ±0.2		ANGULAR TOL ± 3.0°		DOCUMENT NUMBER <b>SD-54550-076</b>	
10 <sup>OVER</sup> 30 <sup>UNDER</sup> ±0.25		DRAFT WHERE APPLICABLE MUST REMAIN WITHIN DIMENSIONS		DOC TYPE DOC PART REVISION PSD 001 A	
30 <sup>OVER</sup> ±0.3		THIRD ANGLE PROJECTION 		MATERIAL NUMBER CUSTOMER SEE TABLE GENERAL MARKET	
		DRAWING SERIES A3-SIZE 54550		SHEET NUMBER 1 OF 4	

GENERAL TOLERANCES (UNLESS SPECIFIED)	
10 <sup>UNDER</sup>	±0.2
10 <sup>OVER</sup> 30 <sup>UNDER</sup>	±0.25
30 <sup>OVER</sup>	±0.3

引き出し方向  
PULL OUT DIRECTION

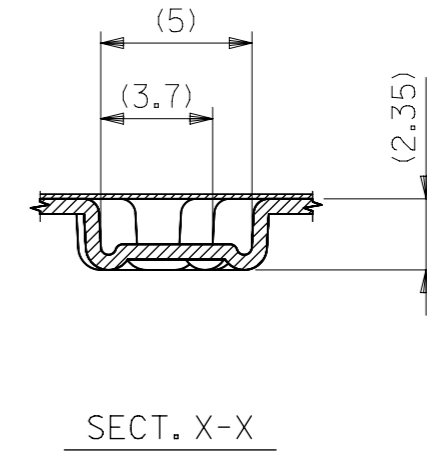
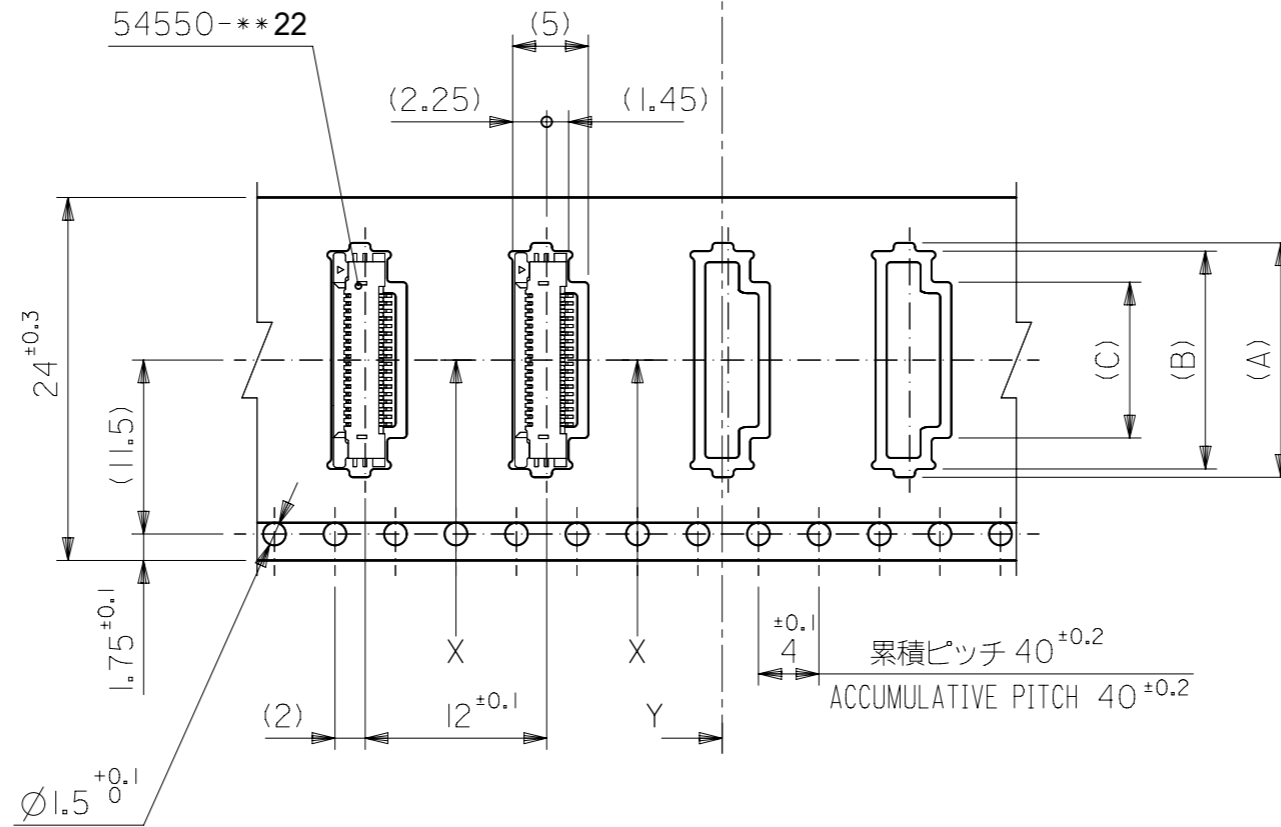
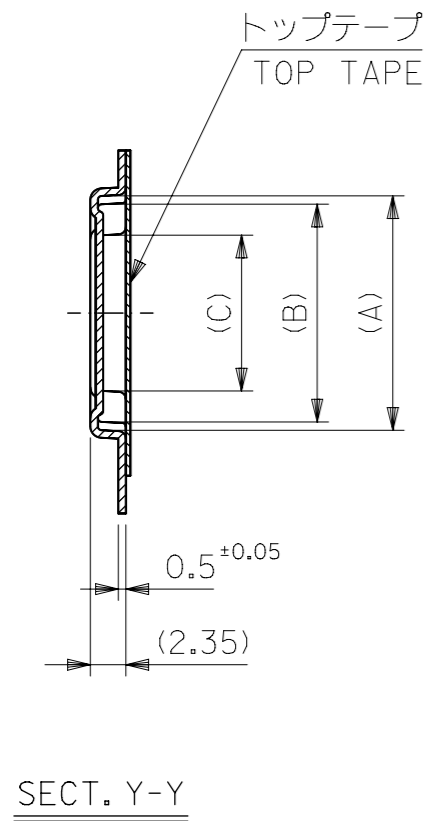


16mm幅キャリアテープ  
16mm WIDTH CARRIER TAPE

16	21.4	17.4	4.3	8.4	9.5	54550-0633	6
			3.8	7.9	9	54550-0533	5
キャリアテープ幅 CARRIER TAPE WIDTH	E	D	(C)	(B)	(A)	製品番号 MATERIAL No.	極数 Ck+
						54550-** 33	MODEL No.

THIS DRAWING CONTAINS INFORMATION THAT IS PROPRIETARY TO MOLEX ELECTRONIC TECHNOLOGIES, LLC AND SHOULD NOT BE USED WITHOUT WRITTEN PERMISSION DIMENSION UNITS: mm    SCALE: NTS GENERAL TOLERANCES (UNLESS SPECIFIED): 4 PLACES: ±    1 PLACE: ± 3 PLACES: ±    2 PLACES: ± 2 PLACES: ±    1 PLACE: ± 1 PLACE: ±    0 PLACES: ± ANGULAR TOL: ± 3.0° DRAFT WHERE APPLICABLE MUST REMAIN WITHIN DIMENSIONS		CURRENT REV DESC: OBSOLETE PART NUMBER EC NO: 636343 DRWN: AKUMAR19    2020/04/20 CHK'D: GGA    2020/07/10 APPR: GGA    2020/07/10 INITIAL REVISION: DRWN: NKONDO    2012/09/13 APPR: KMORIKAWA    2013/03/15	<b>molex</b> EMBOSS TAPE PACKAGED FOR 0.5MM FPC CONN ZIF R/A HOUSING ASSY PRODUCT CUSTOMER DRAWING DOCUMENT NUMBER: SD-54550-076 DOC TYPE: PSD    DOC PART: 001    REVISION: A MATERIAL NUMBER: SEE TABLE    CUSTOMER: GENERAL MARKET    SHEET NUMBER: 2 OF 4
----------------------------------------------------------------------------------------------------------------------------------------------------------------------------------------------------------------------------------------------------------------------------------------------------------------------------------------------------------------------------------------------------------------------------------	--	------------------------------------------------------------------------------------------------------------------------------------------------------------------------------------------------------------------------------------	---------------------------------------------------------------------------------------------------------------------------------------------------------------------------------------------------------------------------------------------------------------------------------

引き出し方向  
PULL OUT DIRECTION



24mm幅キャリアテープ  
24mm WIDTH CARRIER TAPE

24	29.4	25.4	11.3	15.4	16.5	54550-20 <b>33</b>	20
			10.3	14.4	15.5	54550-18 <b>33</b>	18
			8.8	12.9	14	54550-15 <b>33</b>	15
			7.3	11.4	12.5	54550-12 <b>33</b>	12
			6.3	10.4	11.5	54550-10 <b>33</b>	10
			5.8	9.9	11	54550-09 <b>33</b>	9
5.3	9.4	10.5	54550-08 <b>33</b>	8			
キャリアテープ幅 CARRIER TAPE WIDTH	E	D	(C)	(B)	(A)	製品番号 MATERIAL No.	極数 Ck+
						54550-*** <b>33</b>	MODEL No.

THIS DRAWING CONTAINS INFORMATION THAT IS PROPRIETARY TO MOLEX ELECTRONIC TECHNOLOGIES, LLC AND SHOULD NOT BE USED WITHOUT WRITTEN PERMISSION

CURRENT REV DESC: OBSOLETE PART NUMBER

**molex**

EMBOSS TAPE PACKAGED FOR  
0.5MM FPC CONN ZIF R/A HOUSING ASSY

PRODUCT CUSTOMER DRAWING

DOCUMENT NUMBER: SD-54550-076  
DOC TYPE: PSD  
DOC PART: 001  
REVISION: A

EC NO: 636343  
DRWN: AKUMAR19  
CHK'D: GGA  
APPR: GGA

INITIAL REVISION:  
DRWN: NKONDO  
APPR: KMORIKAWA

DATE: 2020/04/20  
DATE: 2020/07/10  
DATE: 2020/07/10

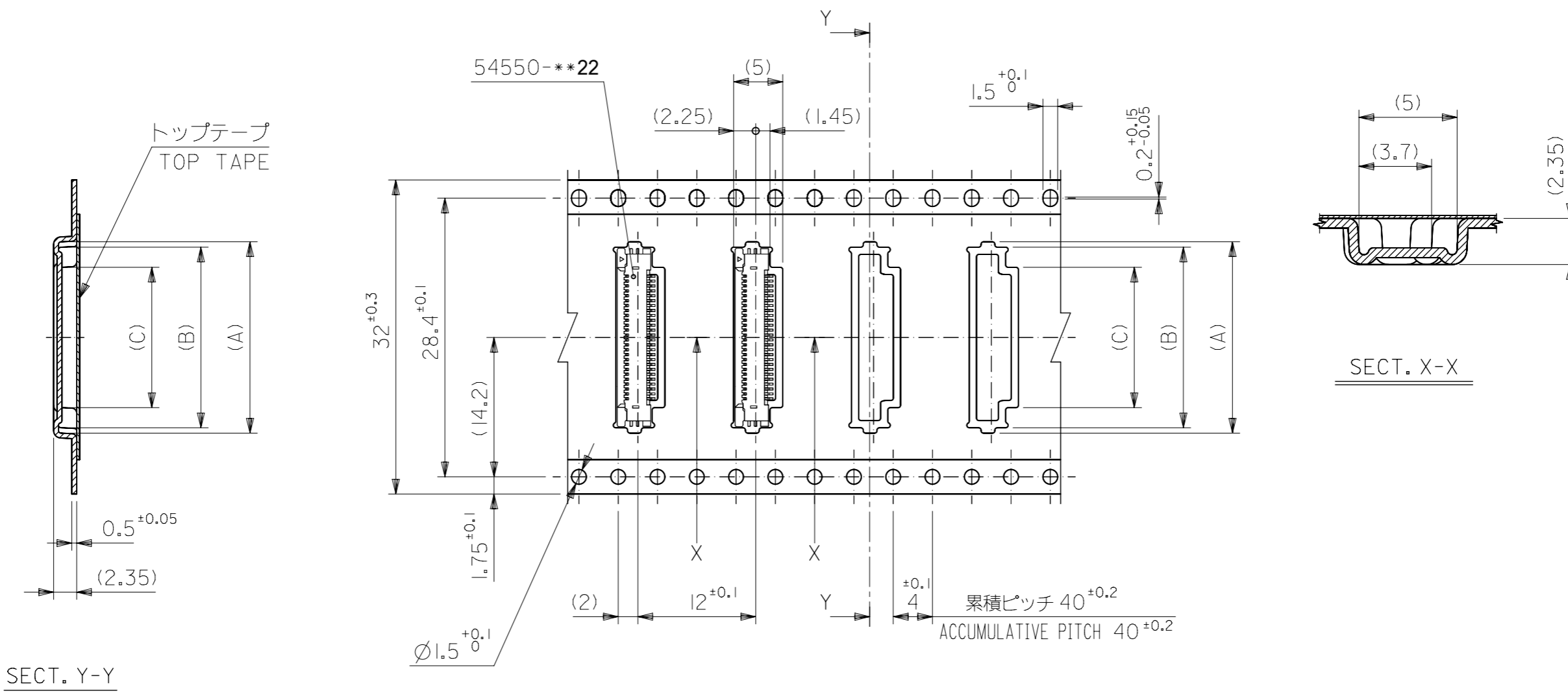
DATE: 2012/09/13  
DATE: 2013/03/15

SHEET NUMBER: 3 OF 4

GENERAL TOLERANCES (UNLESS SPECIFIED)

10 <sup>UNDER</sup>	±0.2
10 <sup>OVER</sup> 30 <sup>UNDER</sup>	±0.25
30 <sup>OVER</sup>	±0.3

引き出し方向  
PULL OUT DIRECTION



32mm幅キャリアテープ  
32mm WIDTH CARRIER TAPE

32	37.4	33.4	13.3	17.4	18.5	54550-24 33	24
キャリアテープ幅 CARRIER TAPE WIDTH	E	D	(C)	(B)	(A)	製品番号 MATERIAL No.	極数 Ck+
						54550-** 33	MODEL No.

THIS DRAWING CONTAINS INFORMATION THAT IS PROPRIETARY TO MOLEX ELECTRONIC TECHNOLOGIES, LLC AND SHOULD NOT BE USED WITHOUT WRITTEN PERMISSION DIMENSION UNITS: mm SCALE: NTS GENERAL TOLERANCES (UNLESS SPECIFIED): 4 PLACES ± 0.2 3 PLACES ± 0.25 2 PLACES ± 0.3 1 PLACE ± 0.3 0 PLACES ± 0.3 ANGULAR TOL ± 3.0° DRAFT WHERE APPLICABLE MUST REMAIN WITHIN DIMENSIONS		CURRENT REV DESC: OBSOLETE PART NUMBER EC NO: 636343 DRWN: AKUMAR19 2020/04/20 CHK'D: GGA 2020/07/10 APPR: GGA 2020/07/10 INITIAL REVISION: DRWN: NKONDO 2012/09/13 APPR: KMORIKAWA 2013/03/15		<b>molex</b> EMBOSS TAPE PACKAGED FOR 0.5MM FPC CONN ZIF R/A HOUSING ASSY PRODUCT CUSTOMER DRAWING DOCUMENT NUMBER: SD-54550-076 DOC TYPE: PSD DOC PART: 001 REVISION: A SHEET NUMBER: 4 OF 4	
GENERAL TOLERANCES (UNLESS SPECIFIED) 10 <sup>UNDER</sup> ±0.2 10 <sup>OVER</sup> 30 <sup>UNDER</sup> ±0.25 30 <sup>OVER</sup> ±0.3		THIRD ANGLE PROJECTION DRAWING: A3-SIZE SERIES: 54550 MATERIAL NUMBER: SEE TABLE CUSTOMER: GENERAL MARKET			