



# Single-Channel: 6N138, 6N139 Dual-Channel: HCPL2730, HCPL2731 Low Input Current High Gain Split Darlington Optocouplers

## Features

- Low current – 0.5mA
- Superior CTR-2000%
- Superior CMR-10kV/μs
- CTR guaranteed 0–70°C
- U.L. recognized (File # E90700)
- VDE recognized (File # 120915) Ordering option V, e.g., 6N138V
- Dual Channel – HCPL2730, HCPL2731

## Applications

- Digital logic ground isolation
- Telephone ring detector
- EIA-RS-232C line receiver
- High common mode noise line receiver
- μP bus isolation
- Current loop receiver

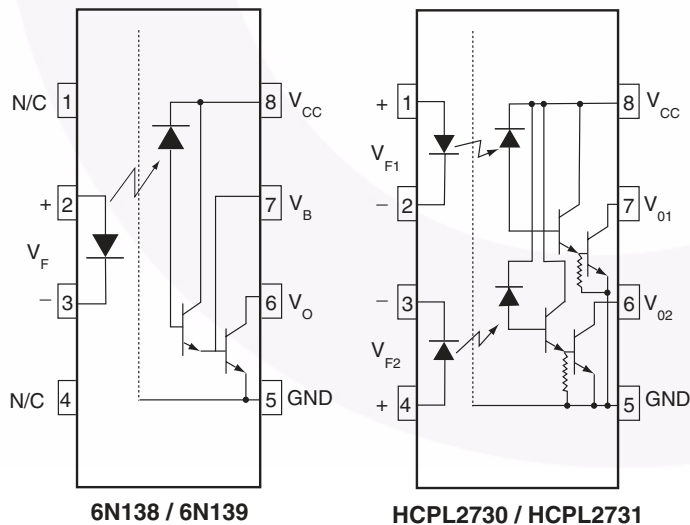
## Description

The 6N138/9 and HCPL2730/HCPL2731 optocouplers consist of an AlGaAs LED optically coupled to a high gain split darlington photodetector.

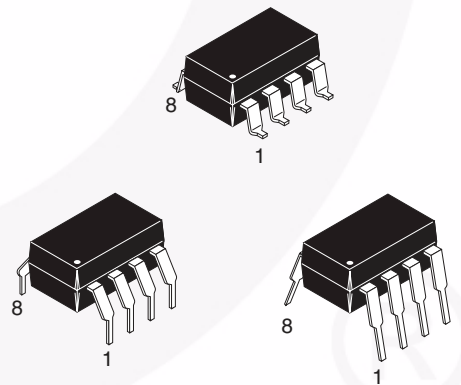
The split darlington configuration separating the input photodiode and the first stage gain from the output transistor permits lower output saturation voltage and higher speed operation than possible with conventional darlington phototransistor optocoupler. In the dual channel devices, HCPL2730/HCPL2731, an integrated emitter-base resistor provides superior stability over temperature.

The combination of a very low input current of 0.5mA and a high current transfer ratio of 2000% makes this family particularly useful for input interface to MOS, CMOS, LSTTL and EIA RS232C, while output compatibility is ensured to CMOS as well as high fan-out TTL requirements. An internal noise shield provides exceptional common mode rejection of 10 kV/μs.

## Schematic



## Package Outlines



Single-Channel: 6N138, 6N139 Dual-Channel: HCPL2730, HCPL2731 — Low Input Current High Gain Split Darlington Optocouplers

**Absolute Maximum Ratings** ( $T_A = 25^\circ\text{C}$  unless otherwise specified)

Stresses exceeding the absolute maximum ratings may damage the device. The device may not function or be operable above the recommended operating conditions and stressing the parts to these levels is not recommended. In addition, extended exposure to stresses above the recommended operating conditions may affect device reliability. The absolute maximum ratings are stress ratings only.

Symbol	Parameter		Value	Units
$T_{STG}$	Storage Temperature		-55 to +125	$^\circ\text{C}$
$T_{OPR}$	Operating Temperature		-40 to +85	$^\circ\text{C}$
$T_{SOL}$	Lead Solder Temperature (Wave solder only. See recommended reflow profile graph for SMD mounting)		260 for 10 sec	$^\circ\text{C}$
<b>EMITTER</b>				
$I_F$ (avg)	DC/Average Forward Input Current	Each Channel	20	mA
$I_F$ (pk)	Peak Forward Input Current (50% duty cycle, 1 ms P.W.)	Each Channel	40	mA
$I_F$ (trans)	Peak Transient Input Current - ( $\leq 1\mu\text{s}$ P.W., 300 pps)		1.0	A
$V_R$	Reverse Input Voltage	Each Channel	5	V
$P_D$	Input Power Dissipation	Each Channel	35	mW
<b>DETECTOR</b>				
$I_O$ (avg)	Average Output Current	Each Channel	60	mA
$V_{ER}$	Emitter-Base Reverse Voltage	6N138 and 6N139	0.5	V
$V_{CC}, V_O$	Supply Voltage, Output Voltage	6N138, HCPL2730	-0.5 to 7	V
		6N139, HCPL2731	-0.5 to 18	
$P_O$	Output Power Dissipation	Each Channel	100	mW

**Electrical Characteristics** ( $T_A = 0$  to  $70^\circ\text{C}$  unless otherwise specified)**Individual Component Characteristics**

Symbol	Parameter	Test Conditions	Device	Min.	Typ.*	Max.	Unit
<b>EMITTER</b>							
$V_F$	Input Forward Voltage	$T_A = 25^\circ\text{C}$	All		1.30	1.7	V
		Each channel ( $I_F = 1.6\text{mA}$ )				1.75	
$BV_R$	Input Reverse Breakdown Voltage	$T_A = 25^\circ\text{C}$ , $I_R = 10\mu\text{A}$	All	5.0	20		V
$\Delta V_F / \Delta T_A$	Temperature Coefficient of Forward Voltage	$I_F = 1.6\text{mA}$	All		-1.8		mV/ $^\circ\text{C}$
<b>DETECTOR</b>							
$I_{OH}$	Logic HIGH Output Current	$I_F = 0\text{mA}$ , $V_O = V_{CC} = 18\text{V}$	6N139		0.01	100	$\mu\text{A}$
		Each Channel	HCPL2731				
		$I_F = 0\text{mA}$ , $V_O = V_{CC} = 7\text{V}$	6N138				
		Each Channel	HCPL2730				
$I_{CCL}$	Logic LOW supply	$I_F = 1.6\text{mA}$ , $V_O = \text{Open}$ , $V_{CC} = 18\text{V}$	6N138, 6N139		0.4	1.5	mA
		$I_{F1} = I_{F2} = 1.6\text{mA}$ , $V_{CC} = 18\text{V}$	HCPL2731		1.3	3	
		$V_{O1} - V_{O2} = \text{Open}$ , $V_{CC} = 7\text{V}$	HCPL2730				
$I_{CCH}$	Logic HIGH Supply	$I_F = 0\text{mA}$ , $V_O = \text{Open}$ , $V_{CC} = 18\text{V}$	6N138, 6N139		0.05	10	$\mu\text{A}$
		$I_{F1} = I_{F2} = 0\text{mA}$ , $V_{CC} = 18\text{V}$	HCPL2731		0.10	20	
		$V_{O1} - V_{O2} = \text{Open}$ , $V_{CC} = 7\text{V}$	HCPL2730				

**Transfer Characteristics**

Symbol	Parameter	Test Conditions	Device	Min.	Typ.*	Max.	Unit
<b>COUPLED</b>							
CTR	Current Transfer Ratio <sup>(1)(2)</sup>	$I_F = 0.5\text{mA}$ , $V_O = 0.4\text{V}$ , $V_{CC} = 4.5\text{V}$	6N139	400	1100		%
		Each Channel	HCPL2731				
		$I_F = 1.6\text{mA}$ , $V_O = 0.4\text{V}$ , $V_{CC} = 4.5\text{V}$	6N139				
		Each Channel	HCPL2731				
		$I_F = 1.6\text{mA}$ , $V_O = 0.4\text{V}$ , $V_{CC} = 4.5\text{V}$	6N138				
		Each Channel	HCPL2730				
$V_{OL}$	Logic LOW Output Voltage <sup>(2)</sup>	$I_F = 0.5\text{mA}$ , $I_O = 2\text{mA}$ , $V_{CC} = 4.5\text{V}$	6N139		0.08	0.4	V
		$I_F = 1.6\text{mA}$ , $I_O = 8\text{mA}$ , $V_{CC} = 4.5\text{V}$	6N139		0.01	0.4	
		Each Channel	HCPL2731				
		$I_F = 0.5\text{mA}$ , $I_O = 15\text{mA}$ , $V_{CC} = 4.5\text{V}$	6N139		0.13	0.4	
		Each Channel	HCPL2731				
		$I_F = 12\text{mA}$ , $I_O = 24\text{mA}$ , $V_{CC} = 4.5\text{V}$	6N139		0.20	0.4	
		Each Channel	HCPL2731				
		$I_F = 1.6\text{mA}$ , $I_O = 4.8\text{mA}$ , $V_{CC} = 4.5\text{V}$	6N138		0.10	0.4	
Each Channel	HCPL2730						

\*All Typical at  $T_A = 25^\circ\text{C}$

**Electrical Characteristics** (Continued) ( $T_A = 0$  to  $70^\circ\text{C}$  unless otherwise specified)

**Switching Characteristics** ( $V_{CC} = 5\text{V}$ )

Symbol	Parameter	Test Conditions	Device	Min.	Typ.*	Max.	Unit
$T_{PHL}$	Propagation Delay Time to Logic LOW <sup>(2)</sup> (Fig. 24)	$R_L = 4.7\Omega, I_F = 0.5\text{mA}$	6N139			30	$\mu\text{s}$
		$T_A = 25^\circ\text{C}$			4	25	
		$R_L = 4.7\Omega, I_F = 0.5\text{mA}$	HCPL2731			120	
		Each Channel $T_A = 25^\circ\text{C}$			3	100	
		$R_L = 270\Omega, I_F = 12\text{mA}$	6N139			2	
		$T_A = 25^\circ\text{C}$			0.2	1	
		$R_L = 270\Omega, I_F = 12\text{mA}$ , Each Channel $T_A = 25^\circ\text{C}$	HCPL2730 HCPL2731		0.3	2	
$T_{PLH}$	Propagation Delay Time to Logic HIGH <sup>(2)</sup> (Fig. 24)	$R_L = 4.7\Omega, I_F = 0.5\text{mA}$	6N139			90	$\mu\text{s}$
		Each Channel	HCPL2731				
		$R_L = 4.7\Omega, I_F = 0.5\text{mA}, T_A = 25^\circ\text{C}$	6N139		12	60	
		Each Channel	HCPL2731		22		
		$R_L = 270\Omega, I_F = 12\text{mA}$	6N139			10	
		$T_A = 25^\circ\text{C}$			1.3	7	
		$R_L = 270\Omega, I_F = 12\text{mA}$ , Each Channel $T_A = 25^\circ\text{C}$	HCPL2730 HCPL2731		5	10	
$ICM_H$	Common Mode Transient Immunity at Logic HIGH <sup>(3)</sup> (Fig. 25)	$I_F = 0\text{mA},  V_{CM}  = 10V_{P-P}, T_A = 25^\circ\text{C}, R_L = 2.2\Omega$	6N138 6N139	1,000	10,000		$\text{V}/\mu\text{s}$
		Each Channel	HCPL2730 HCPL2731				
		$R_L = 2.2\Omega, I_F = 1.6\text{mA}$	6N138			50	
		Each Channel	HCPL2730/1				
$ICM_L$	Common Mode Transient Immunity at Logic LOW <sup>(3)</sup> (Fig. 25)	$(I_F = 1.6\text{mA},  V_{CM}  = 10V_{P-P}, R_L = 2.2\Omega)$	6N138 6N139	1,000	10,000		$\text{V}/\mu\text{s}$
		$T_A = 25^\circ\text{C}$			7	35	
		Each Channel	HCPL2730 HCPL2731		16		

\*\* All Typical at  $T_A = 25^\circ\text{C}$

**Electrical Characteristics** (Continued) ( $T_A = 0$  to  $70^\circ\text{C}$  unless otherwise specified)**Isolation Characteristics**

Symbol	Characteristics	Test Conditions	Min.	Typ.*	Max.	Unit
$I_{I-O}$	Input-Output Insulation Leakage Current <sup>(4)</sup>	Relative humidity = 45%, $T_A = 25^\circ\text{C}$ , $t = 5\text{s}$ , $V_{I-O} = 3000\text{VDC}$			1.0	$\mu\text{A}$
$V_{ISO}$	Withstand Insulation Test Voltage <sup>(4)</sup>	$RH \leq 50\%$ , $T_A = 25^\circ\text{C}$ , $I_{I-O} \leq 2\mu\text{A}$ , $t = 1\text{ min.}$	2500			$V_{RMS}$
$R_{I-O}$	Resistance (Input to Output) <sup>(4)</sup>	$V_{I-O} = 500\text{VDC}$		$10^{12}$		$\Omega$
$C_{I-O}$	Capacitance (Input to Output) <sup>(4)(5)</sup>	$f = 1\text{MHz}$		0.6		$\text{pF}$
$I_{I-I}$	Input-Input Insulation Leakage Current <sup>(6)</sup>	$RH \leq 45\%$ , $V_{I-I} = 500\text{VDC}$ , $t = 5\text{s}$ , HCPL2730/2731 only		0.005		$\mu\text{A}$
$R_{I-I}$	Input-Input Resistance <sup>(6)</sup>	$V_{I-I} = 500\text{VDC}$ , HCPL2730/2731 only		$10^{11}$		$\Omega$
$C_{I-I}$	Input-Input Capacitance <sup>(6)</sup>	$f = 1\text{MHz}$ , HCPL2730/2731 only		0.03		$\text{pF}$

\*All Typicals at  $T_A = 25^\circ\text{C}$ **Notes:**

- Current Transfer Ratio is defined as a ratio of output collector current,  $I_O$ , to the forward LED input current,  $I_F$ , times 100%.
- Pin 7 open. (6N138 and 6N139 only)
- Common mode transient immunity in logic HIGH level is the maximum tolerable (positive)  $dV_{cm}/dt$  on the leading edge of the common mode pulse signal  $V_{CM}$ , to assure that the output will remain in a logic HIGH state (i.e.,  $V_O > 2.0\text{V}$ ). Common mode transient immunity in logic LOW level is the maximum tolerable (negative)  $dV_{cm}/dt$  on the trailing edge of the common mode pulse signal,  $V_{CM}$ , to assure that the output will remain in a logic LOW state (i.e.,  $V_O < 0.8\text{V}$ ).
- Device is considered a two terminal device: Pins 1, 2, 3 and 4 are shorted together and Pins 5, 6, 7 and 8 are shorted together.
- For dual channel devices,  $C_{I-O}$  is measured by shorting pins 1 and 2 or pins 3 and 4 together and pins 5 through 8 shorted together.
- Measured between pins 1 and 2 shorted together, and pins 3 and 4 shorted together.

**Electrical Characteristics** (Continued)  $T_A = 25^\circ\text{C}$  unless otherwise specified)

Current Limiting Resistor Calculations

$$R_1 \text{ (Non-Invert)} = \frac{V_{DD1} - V_{DF} - V_{OL1}}{I_F}$$

$$R_1 \text{ (Invert)} = \frac{V_{DD1} - V_{OH1} - V_{DF}}{I_F}$$

$$R_2 = \frac{V_{DD2} - V_{OLX} (@ I_L - I_2)}{I_L}$$

**Where:**

$V_{DD1}$  = Input Supply Voltage

$V_{DD2}$  = Output Supply Voltage

$V_{DF}$  = Diode Forward Voltage

$V_{OL1}$  = Logic "0" Voltage of Driver

$V_{OH1}$  = Logic "1" Voltage of Driver

$I_F$  = Diode Forward Current

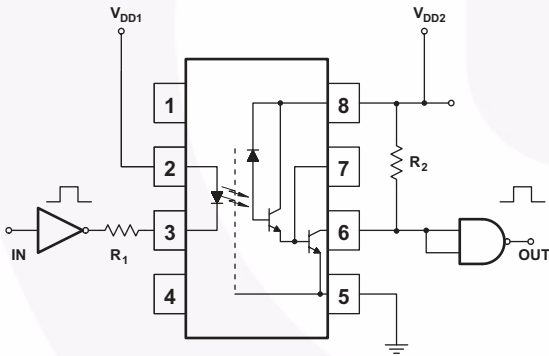
$V_{OLX}$  = Saturation Voltage of Output Transistor

$I_L$  = Load Current Through Resistor R2

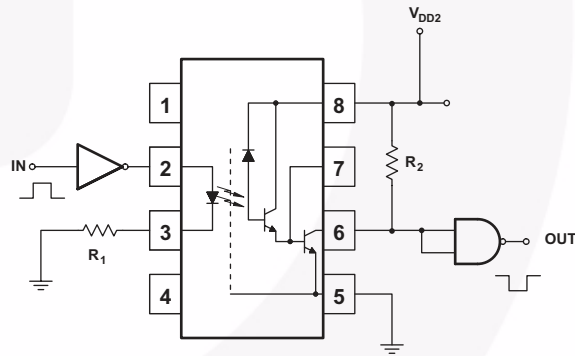
$I_2$  = Input Current of Output Gate

INPUT		R1 (V)	OUTPUT						
			CMOS @ 5V	CMOS @ 10V	74XX	74LXX	74SXX	74LSXX	74HXX
			R2 (V)	R2 (V)	R2 (V)	R2 (V)	R2 (V)	R2 (V)	R2 (V)
CMOS @ 5V	NON-INV.	2000	1000	2200	750	1000	1000	1000	560
	INV.	510							
CMOS @ 10V	NON-INV.	5100							
	INV.	4700							
74XX	NON-INV.	2200							
	INV.	180							
74LXX	NON-INV.	1800							
	INV.	100							
74SXX	NON-INV.	2000							
	INV.	360							
74LSXX	NON-INV.	2000							
	INV.	180							
74HXX	NON-INV.	2000							
	INV.	180							

**Fig. 1 Resistor Values for Logic Interface**



**Fig. 2 Non-Inverting Logic Interface**



**Fig. 3 Inverting Logic Interface**

## Typical Performance Curves

Fig. 4 LED Forward Current vs. Forward Voltage

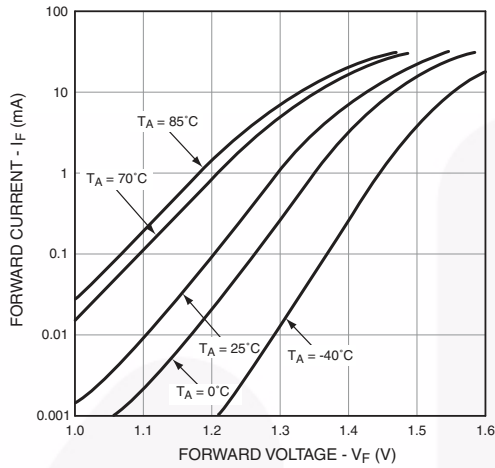


Fig. 5 LED Forward Voltage vs. Temperature

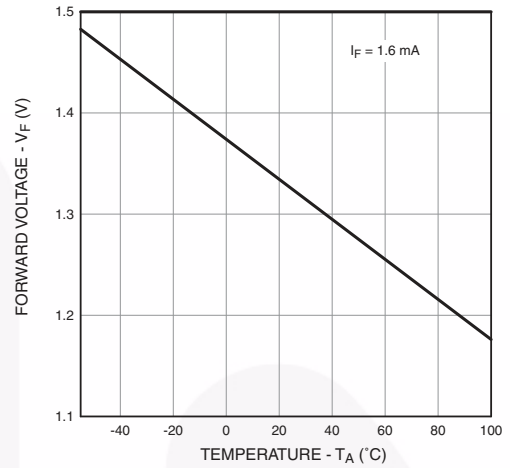


Fig. 6 Non-saturated Rise and Fall Times vs. Load Resistance (6N138 / 6N139 Only)

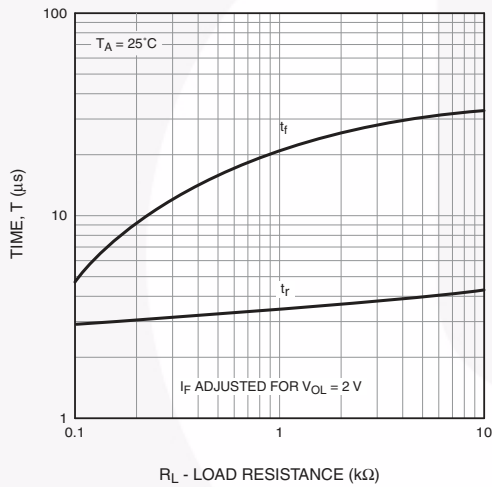


Fig. 7 Non-saturated Rise and Fall Times vs. Load Resistance (HCPL2730 / HCPL2731 Only)

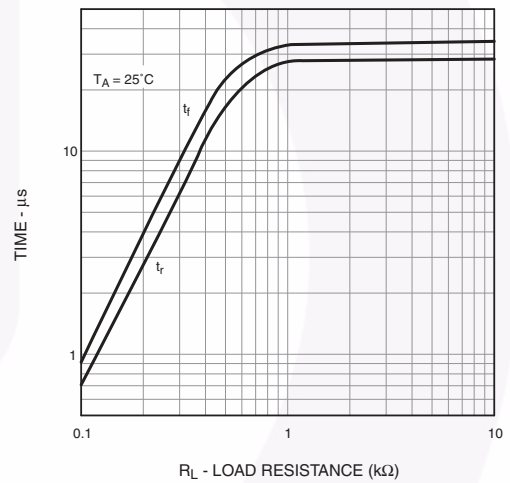


Fig. 8 Propagation Delay To Logic Low vs. Base-Emitter Resistance (HCPL2730 / HCPL2731 Only)

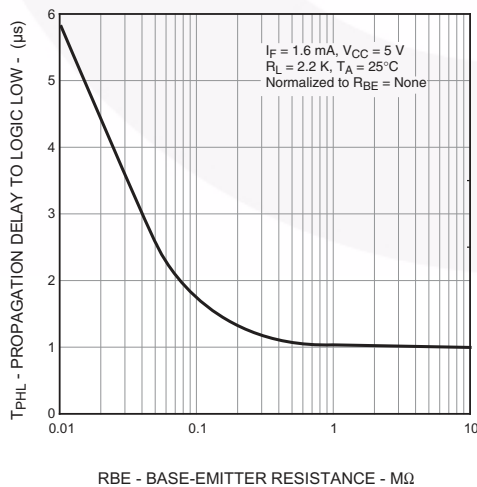
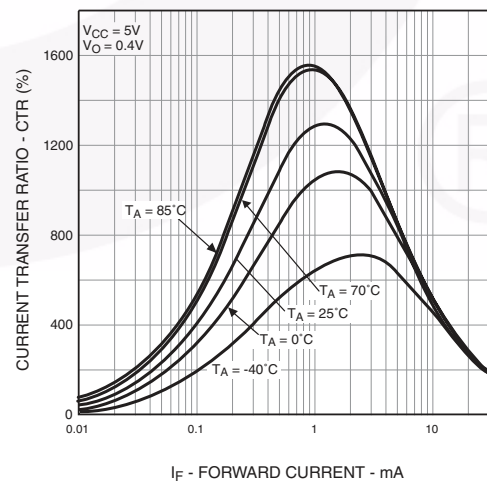
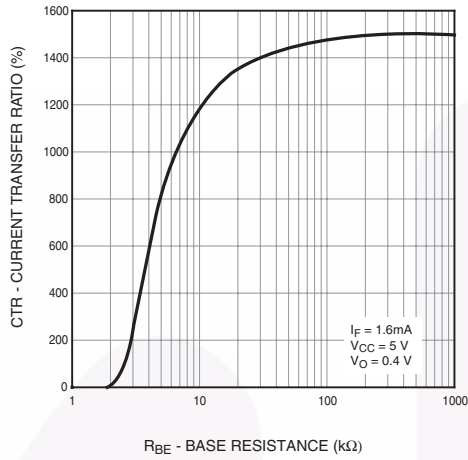


Fig. 9 Current Transfer Ratio vs. Forward Current (6N138 / 6N139 Only)

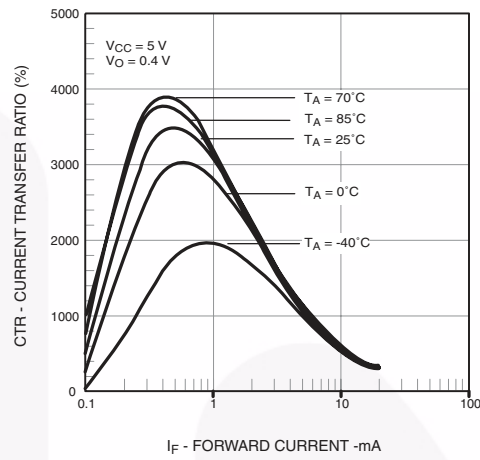


## Typical Performance Curves (Continued)

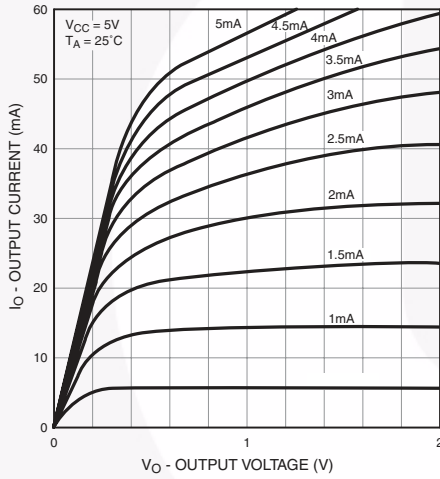
**Fig. 10 Current Transfer Ratio vs. Base-Emitter Resistance (6N138 / 6N139 Only)**



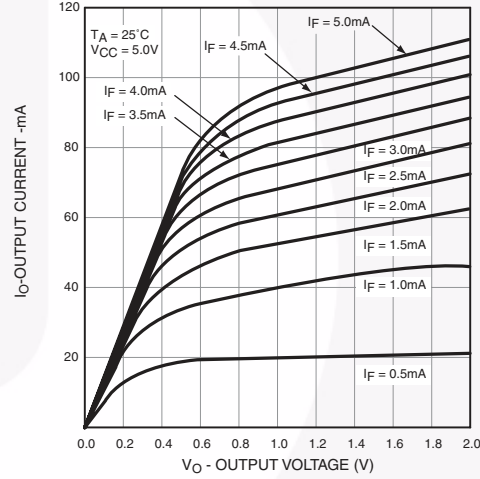
**Fig. 11 Current Transfer Ratio vs. Forward Current (HCPL2730 / HCPL2731 Only)**



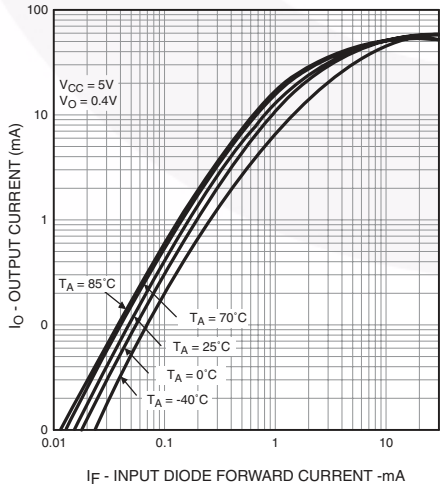
**Fig. 12 Output Current vs. Output Voltage (6N138 / 6N139 Only)**



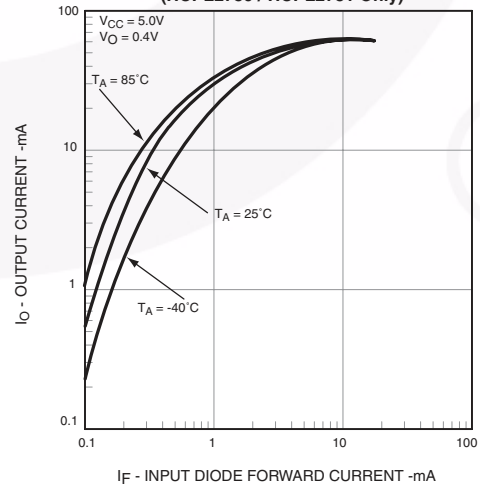
**Fig. 13 Output Current vs. Output Voltage (HCPL2730 / HCPL2731 Only)**



**Fig. 14 Output Current vs. Input Diode Forward Current (6N138 / 6N139 Only)**



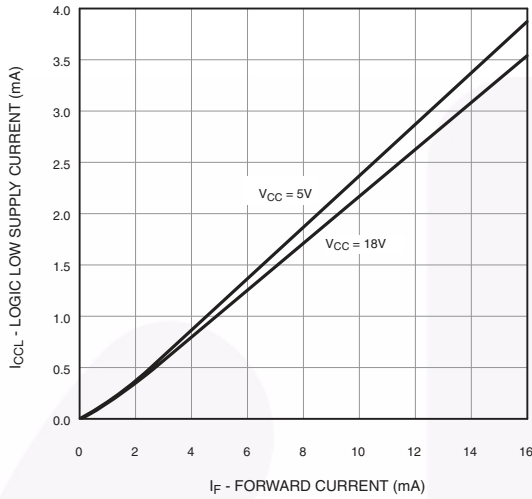
**Fig. 15 Output Current vs. Input Diode Forward Current (HCPL2730 / HCPL2731 Only)**



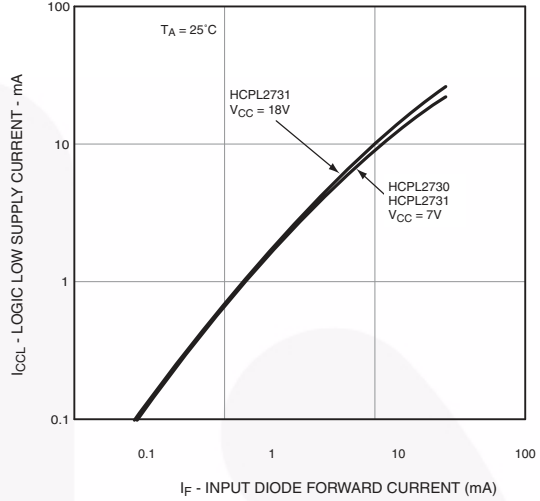


## Typical Performance Curves (Continued)

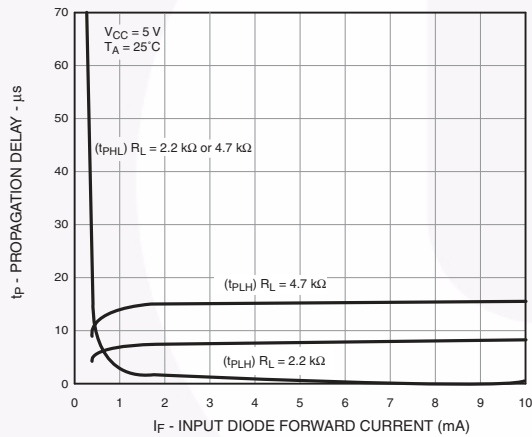
**Fig. 16 Logic Low Supply Current vs. Input Diode Forward Current (6N138 / 6N139 Only)**



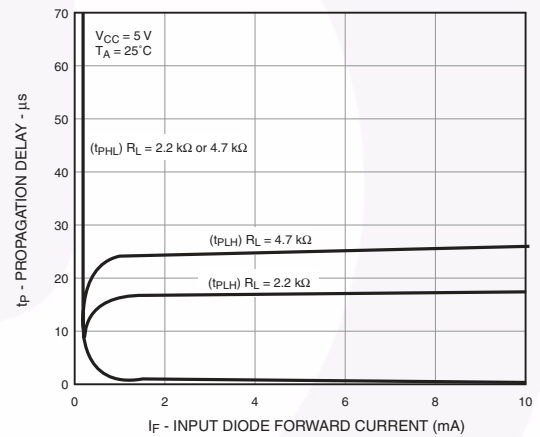
**Fig. 17 Logic Low Supply Current vs. Input Diode Forward Current (HCPL2730 / HCPL2731 Only)**



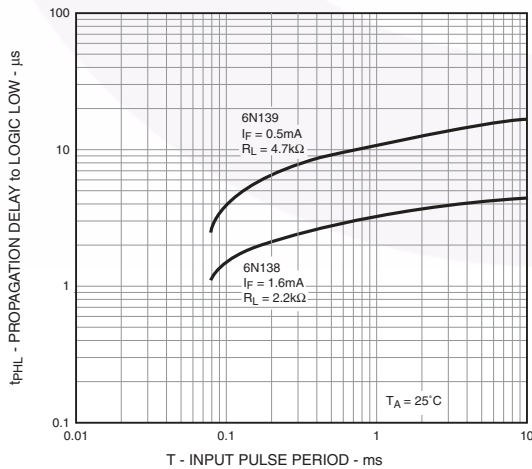
**Fig. 18 Propagation Delay vs. Input Diode Forward Current (6N138 / 6N139 Only)**



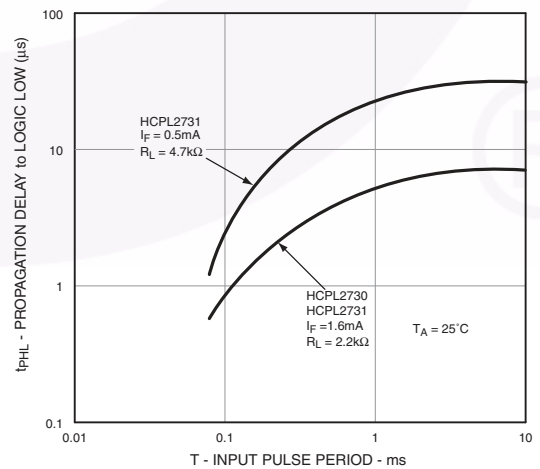
**Fig. 19 Propagation Delay vs. Input Diode Forward Current (HCPL2730 / HCPL2731 Only)**



**Fig. 20 Propagation Delay to Logic Low vs. Pulse Period (6N138 / 6N139 Only)**



**Fig. 21 Propagation Delay to Logic Low vs. Pulse Period (HCPL2730 / HCPL2731 Only)**



Typical Performance Curves (Continued)

Fig. 22 Propagation Delay vs. Temperature (6N138 / 6N139 Only)

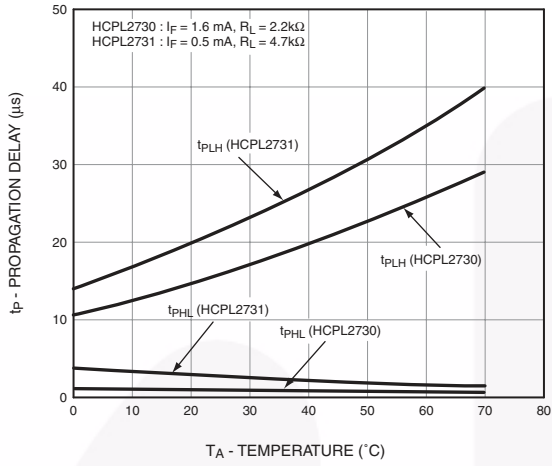
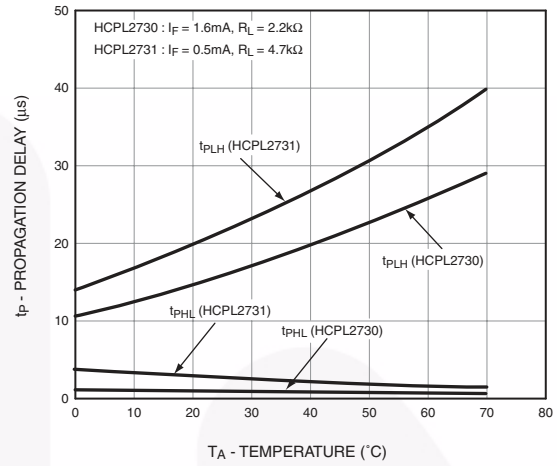
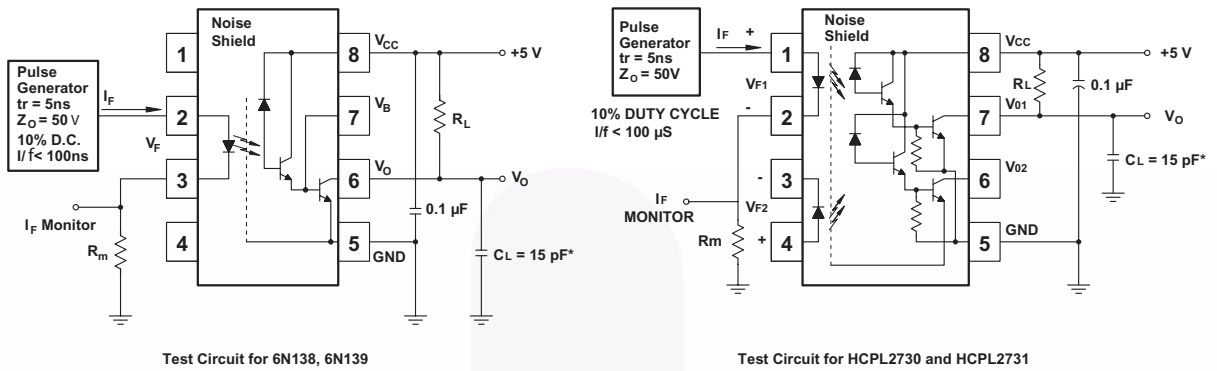


Fig. 23 Propagation Delay vs. Temperature (HCPL2730 / HCPL2731 Only)



### Test Circuits



Test Circuit for 6N138, 6N139

Test Circuit for HCPL2730 and HCPL2731

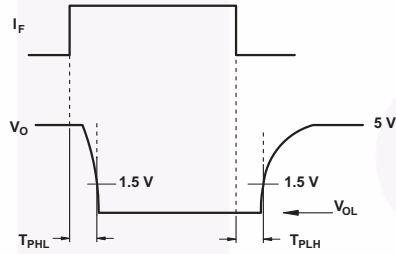
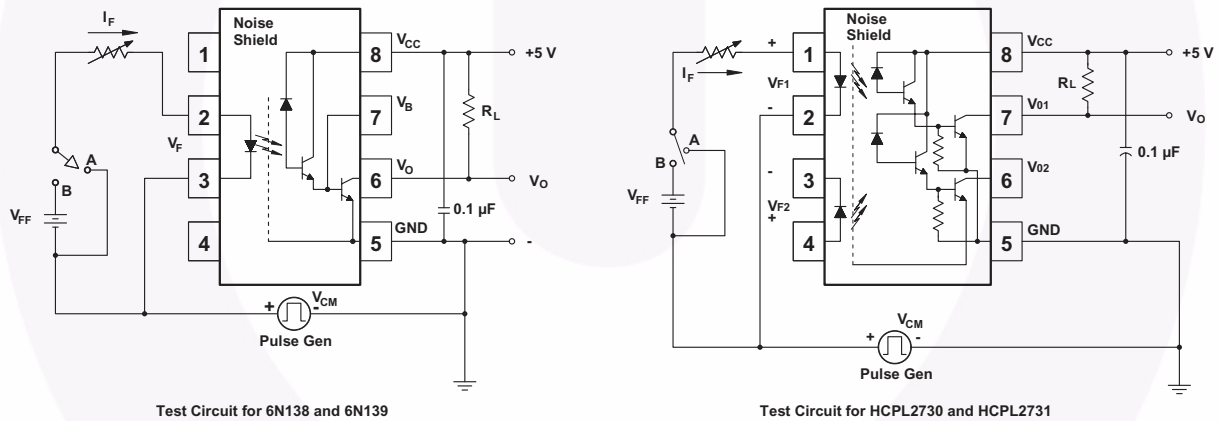


Fig. 24 Switching Time Test Circuit



Test Circuit for 6N138 and 6N139

Test Circuit for HCPL2730 and HCPL2731

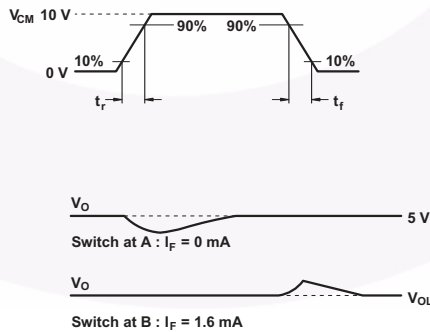
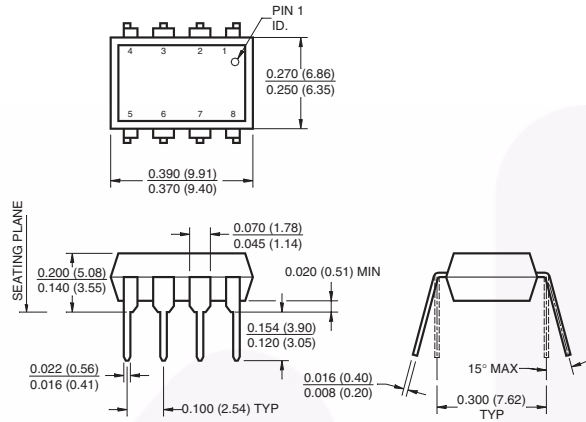


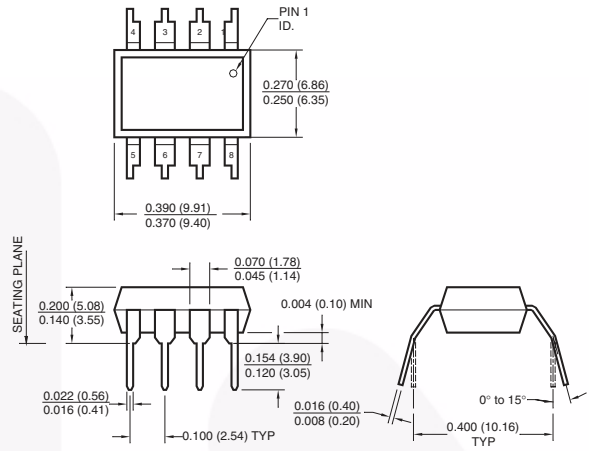
Fig. 25 Common Mode Immunity Test Circuit

## Package Dimensions

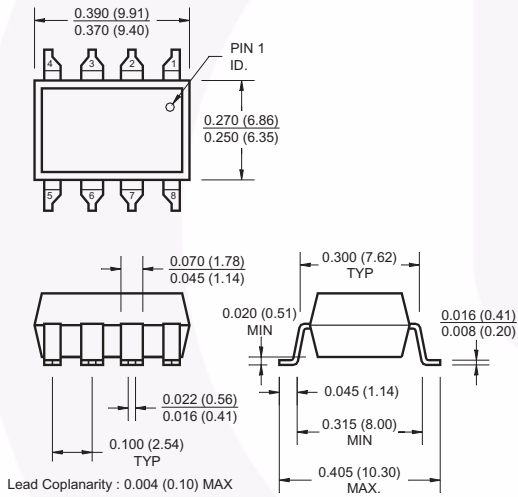
### Through Hole



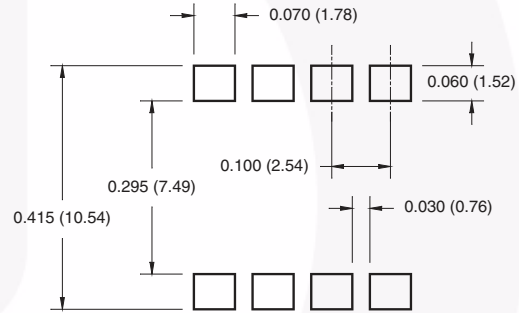
### 0.4" Lead Spacing



### Surface Mount



### 8-Pin DIP – Land Pattern



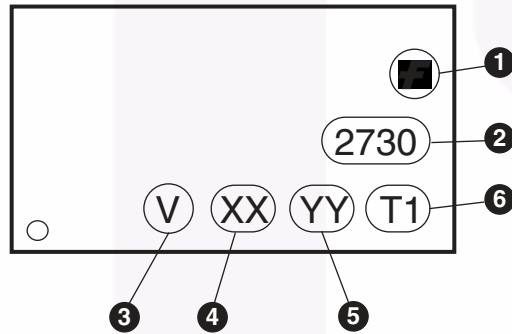
**Note:**

All dimensions are in inches (millimeters)

### Ordering Information

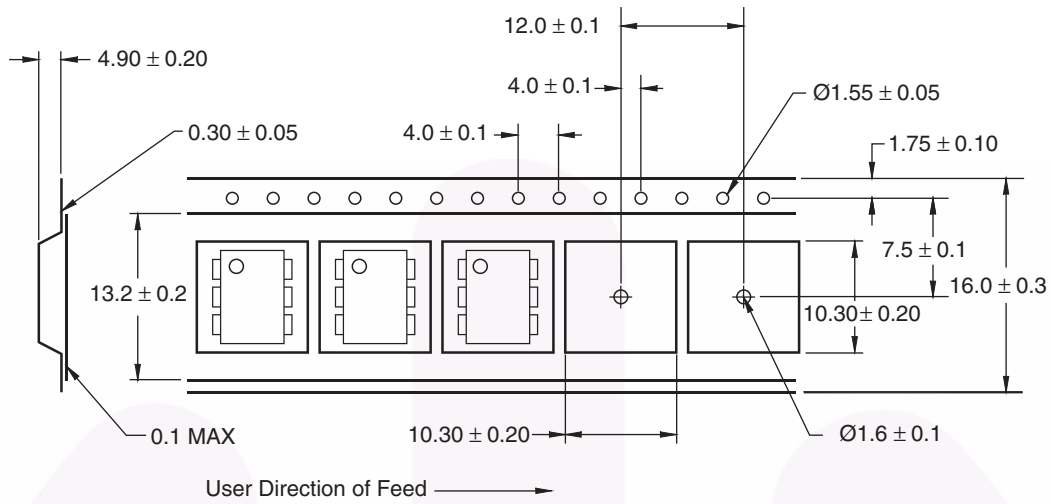
Option	Example Part Number	Description
No Suffix	6N138	Standard Through Hole Device, 50 pcs per tube
S	6N138S	Surface Mount Lead Bend
SD	6N138SD	Surface Mount; Tape and reel
W	6N138W	0.4" Lead Spacing
V	6N138V	VDE0884
WV	6N138WV	VDE0884; 0.4" lead spacing
SV	6N138SV	VDE0884; surface mount
SDV	6N138SDV	VDE0884; surface mount; tape and reel

### Marking Information

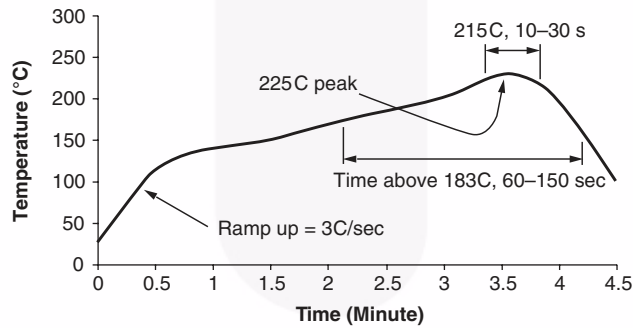


Definitions	
1	Fairchild logo
2	Device number
3	VDE mark (Note: Only appears on parts ordered with VDE option – See order entry table)
4	Two digit year code, e.g., '07'
5	Two digit work week ranging from '01' to '53'
6	Assembly package code

### Tape Specifications



### Reflow Profile



- Peak reflow temperature: 225C (package surface temperature)
- Time of temperature higher than 183C for 60–150 seconds
- One time soldering reflow is recommended

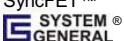


Build it Now™  
 CorePLUS™  
 CorePOWER™  
 CROSSVOLT™  
 CTL™  
 Current Transfer Logic™  
 EcoSPARK®  
 EfficientMax™  
 EZSWITCH™ \*




Fairchild®  
 Fairchild Semiconductor®  
 FACT Quiet Series™  
 FACT®  
 FAST®  
 FastvCore™  
 FlashWriter® \*

FPS™  
 F-PFS™  
 FRFET®  
 Global Power Resource<sup>SM</sup>  
 Green FPS™  
 Green FPS™ e-Series™  
 GTO™  
 IntelliMAX™  
 ISOPLANAR™  
 MegaBuck™  
 MICROCOUPLER™  
 MicroFET™  
 MicroPak™  
 MillerDrive™  
 MotionMax™  
 Motion-SPM™  
 OPTOLOGIC®  
 OPTOPLANAR®

PDP SPM™  
 Power-SPM™  
 PowerTrench®  
 Programmable Active Droop™  
 QFET®  
 QS™  
 Quiet Series™  
 RapidConfigure™  
 Saving our world, 1mW at a time™  
 SmartMax™  
 SMART START™  
 SPM®  
 STEALTH™  
 SuperFET™  
 SuperSOT™3  
 SuperSOT™6  
 SuperSOT™8  
 SupreMOS™  
 SyncFET™  


The Power Franchise®  
 the  
**power**  
 franchise  
 TinyBoost™  
 TinyBuck™  
 TinyLogic®  
 TINYOPTO™  
 TinyPower™  
 TinyPWM™  
 TinyWire™  
 SerDes™  
  
 UHC®  
 Ultra FRFET™  
 UniFET™  
 VCX™  
 VisualMax™

\* EZSWITCH™ and FlashWriter® are trademarks of System General Corporation, used under license by Fairchild Semiconductor.

**DISCLAIMER**

FAIRCHILD SEMICONDUCTOR RESERVES THE RIGHT TO MAKE CHANGES WITHOUT FURTHER NOTICE TO ANY PRODUCTS HEREIN TO IMPROVE RELIABILITY, FUNCTION, OR DESIGN. FAIRCHILD DOES NOT ASSUME ANY LIABILITY ARISING OUT OF THE APPLICATION OR USE OF ANY PRODUCT OR CIRCUIT DESCRIBED HEREIN; NEITHER DOES IT CONVEY ANY LICENSE UNDER ITS PATENT RIGHTS, NOR THE RIGHTS OF OTHERS. THESE SPECIFICATIONS DO NOT EXPAND THE TERMS OF FAIRCHILD'S WORLDWIDE TERMS AND CONDITIONS, SPECIFICALLY THE WARRANTY THEREIN, WHICH COVERS THESE PRODUCTS.

**LIFE SUPPORT POLICY**

FAIRCHILD'S PRODUCTS ARE NOT AUTHORIZED FOR USE AS CRITICAL COMPONENTS IN LIFE SUPPORT DEVICES OR SYSTEMS WITHOUT THE EXPRESS WRITTEN APPROVAL OF FAIRCHILD SEMICONDUCTOR CORPORATION.

As used herein:

1. Life support devices or systems are devices or systems which, (a) are intended for surgical implant into the body or (b) support or sustain life, and (c) whose failure to perform when properly used in accordance with instructions for use provided in the labeling, can be reasonably expected to result in a significant injury of the user.
2. A critical component in any component of a life support, device, or system whose failure to perform can be reasonably expected to cause the failure of the life support device or system, or to affect its safety or effectiveness.

**ANTI-COUNTERFEITING POLICY**

Fairchild Semiconductor Corporation's Anti-Counterfeiting Policy. Fairchild's Anti-Counterfeiting Policy is also stated on our external website, [www.fairchildsemi.com](http://www.fairchildsemi.com), under Sales Support.

Counterfeiting of semiconductor parts is a growing problem in the industry. All manufacturers of semiconductor products are experiencing counterfeiting of their parts. Customers who inadvertently purchase counterfeit parts experience many problems such as loss of brand reputation, substandard performance, failed applications, and increased cost of production and manufacturing delays. Fairchild is taking strong measures to protect ourselves and our customers from the proliferation of counterfeit parts. Fairchild strongly encourages customers to purchase Fairchild parts either directly from Fairchild or from Authorized Fairchild Distributors who are listed by country on our web page cited above. Products customers buy either from Fairchild directly or from Authorized Fairchild Distributors are genuine parts, have full traceability, meet Fairchild's quality standards for handling and storage and provide access to Fairchild's full range of up-to-date technical and product information. Fairchild and our Authorized Distributors will stand behind all warranties and will appropriately address any warranty issues that may arise. Fairchild will not provide any warranty coverage or other assistance for parts bought from Unauthorized Sources. Fairchild is committed to combat this global problem and encourage our customers to do their part in stopping this practice by buying direct or from authorized distributors.

**PRODUCT STATUS DEFINITIONS**

**Definition of Terms**

Datasheet Identification	Product Status	Definition
--------------------------	----------------	------------