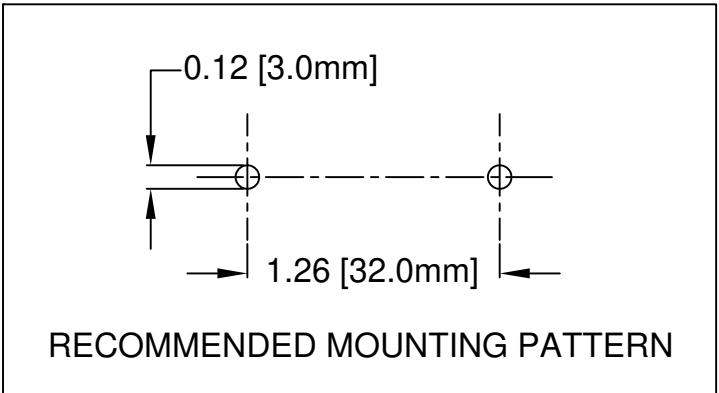
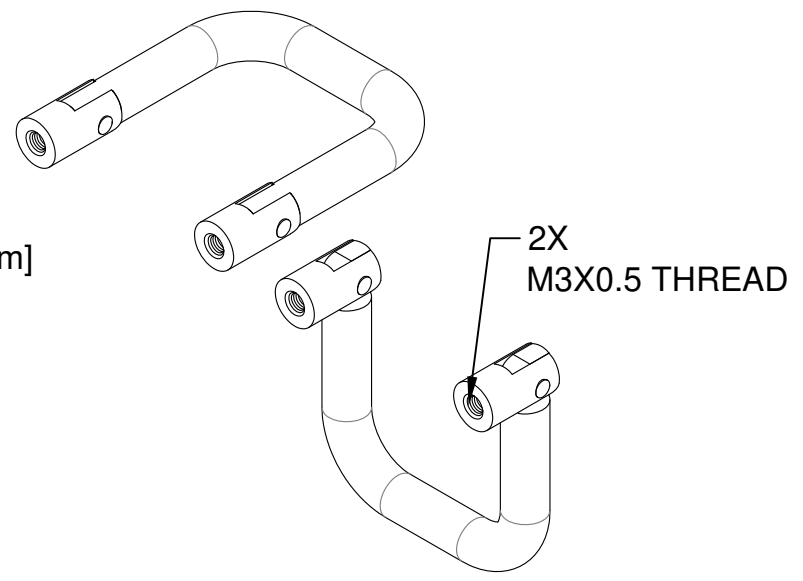
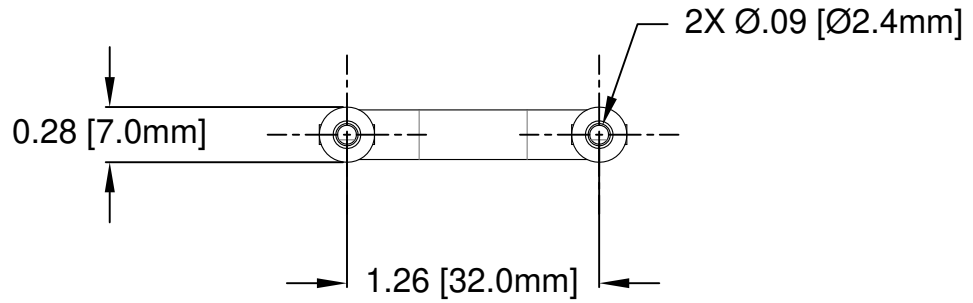
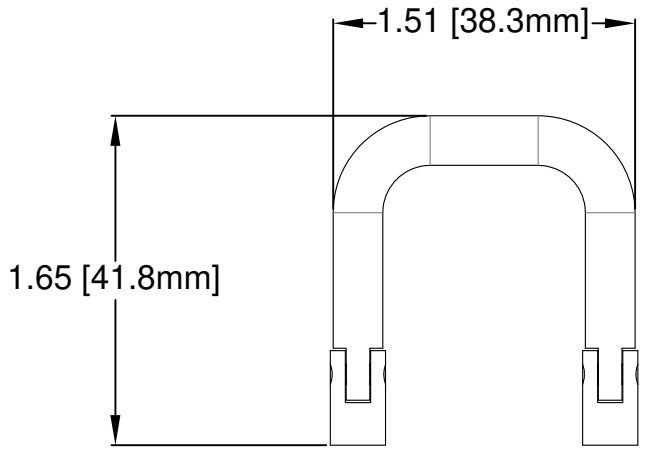
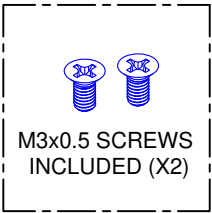


| REV. | DESCRIPTION | DATE | APPROVED |
|------|--------------------------------|----------|----------|
| A | Engineering Release | 08/13/14 | J. C. |
| B | Engineering Update w/o Changes | 05/21/16 | J. C. |
| | | | |
| | | | |



NOTES:
 2. MOUNTING HARDWARE SHIPPED UNASSEMBLED
 1. MATERIALS: HANDLE, UL94V-0 NYLON 6/6, GLASS FILLED, BLACK/ STEEL BOLTS

| | | | |
|----------------------------------------------------|---------|----------------------------------------------------------------------------|-------------------------------------------------------------|
| STANDARD TOLERANCE (UNLESS OTHERWISE SPECIFIED) | | 4 THOMAS, IRVINE, CA. 92618 TEL: (949) 951-8808 FAX: (949) 951-3974 | |
| DECIMALS | ANGULAR | | |
| .X ± .1 | X° ± 1° | | TITLE: LOW PROFILE FOLDABLE SUBRACK HANDLE, SMALL |
| .XX ± .02 | | | |
| .XXX ± .010 | | DESIGNED: A. Wright | DATE: 08/13/14 |
| CHECKED: B. Oliver | | DATE: 08/13/14 | PART NO: SRH-1RUFM REVISION: B |
| | | CAGE CODE : 32559 | SHEET # 1 OF 1 |
| CAD GENERATED DOCUMENT. DO NOT MEASURE DRAWING. | | | |