

1380088-1 ✓ ACTIVE

Positive Lock | Mark III, Positive Lock 250

TE Internal #: 1380088-1

Quick Disconnects, Receptacle, 20 – 17 AWG Wire Size, .51 – 1.03 mm<sup>2</sup> Wire Size, Mating Tab Width 6.35 mm [.25 in], Straight, Brass, Positive Lock 250

[View on TE.com >](#)



Terminals & Splices > Quick Disconnects



Quick Disconnect Terminal Type: **Receptacle**

Wire Size: .51 – 1.03 mm<sup>2</sup>

Mating Tab Width: 6.35 mm [.25 in]

Mating Tab Thickness: .81 mm [.032 in]

## Features

### Product Type Features

Insertion Force	Low
-----------------	-----

### Configuration Features

Compatible With Wire & Cable Type	Discrete Wire
-----------------------------------	---------------

### Contact Features

Quick Disconnect Terminal Type	Receptacle
--------------------------------	------------

Mating Tab Width	6.35 mm [.25 in]
------------------	------------------

Mating Tab Thickness	.81 mm [.032 in]
----------------------	------------------

Terminal Orientation	Straight
----------------------	----------

Contact Base Material	Brass
-----------------------	-------

Terminal Plating Material	Unplated
---------------------------	----------

Crimp Type	F-Crimp
------------	---------

Barrel Type	Open
-------------	------

### Termination Features

Product Terminates To	Wire & Cable
-----------------------	--------------



### Mechanical Attachment

Extraction Force	70 Newton
Locking Lance Height	.2 mm[.008 in]
Wire Insulation Support	With

### Dimensions

Terminal Material Thickness	.41 mm[.016 in]
Product Length	19.58 mm[.77 in]
Compatible Insulation Diameter Range	2.01 – 2.7 mm[.079 – .106 in]
Wire Size	.51 – 1.03 mm <sup>2</sup>

### Usage Conditions

Insulation Option	Uninsulated
Operating Temperature Range	-40 – 110 °C[-40 – 230 °F]

### Industry Standards

Agency/Standard	UL
-----------------	----

### Packaging Features

Packaging Quantity	8000
Packaging Method	Strip/Reel

### Product Compliance

[For compliance documentation, visit the product page on TE.com>](#)

EU RoHS Directive 2011/65/EU	Compliant
EU ELV Directive 2000/53/EC	Compliant
China RoHS 2 Directive MIIT Order No 32, 2016	No Restricted Materials Above Threshold
EU REACH Regulation (EC) No. 1907/2006	Current ECHA Candidate List: JUNE 2023 (235) Candidate List Declared Against: JUNE 2023 (235) Does not contain REACH SVHC
Halogen Content	Low Halogen - Br, Cl, F, I < 900 ppm per homogenous material. Also BFR/CFR/PVC Free
Solder Process Capability	Not applicable for solder process capability

#### Product Compliance Disclaimer

This information is provided based on reasonable inquiry of our suppliers and represents our current actual knowledge based on the information they provided. This information is subject to change. The part numbers that TE has identified as



EU RoHS compliant have a maximum concentration of 0.1% by weight in homogenous materials for lead, hexavalent chromium, mercury, PBB, PBDE, DBP, BBP, DEHP, DIBP, and 0.01% for cadmium, or qualify for an exemption to these limits as defined in the Annexes of Directive 2011/65/EU (RoHS2). Finished electrical and electronic equipment products will be CE marked as required by Directive 2011/65/EU. Components may not be CE marked. Additionally, the part numbers that TE has identified as EU ELV compliant have a maximum concentration of 0.1% by weight in homogenous materials for lead, hexavalent chromium, and mercury, and 0.01% for cadmium, or qualify for an exemption to these limits as defined in the Annexes of Directive 2000/53/EC (ELV). Regarding the REACH Regulation, the information TE provides on SVHC in articles for this part number is based on the latest European Chemicals Agency (ECHA) 'Guidance on requirements for substances in articles' posted at this URL: <https://echa.europa.eu/guidance-documents/guidance-on-reach>

## Compatible Parts

TE Part # 154717-1  
PL 250 REC TERMINAL 13-11 AWG BR

TE Part # 160759-1  
PL 250 TERMINAL REC 0.5-1.5 MM2 BR

TE Part # 170233-1  
PL 250 REC 0.5-2.27 MM2 BR

TE Part # 154718-1  
250 PL MKI REC. 18-14AWG BR

TE Part # 927852-1  
PL 250 REC TERMINAL 20-17 AWG BR

TE Part # 927852-2  
PL 250 REC TERMINAL 20-17 AWG PBR

TE Part # 926820-6  
PL 250 FLAG REC 0.5-1.5 MM2 0.4X.44

TE Part # 1380089-1  
PL MKIII .250 REC 1.0-2.5MM2

TE Part # 926820-5  
PL 250 REC TERMINAL-FLAG 20-15 AWG BR

TE Part # 880646-1  
PL REC 0.5-1.0MM2 0.40 X 52.32 BR

## Also in the Series | Mark III

Crimp Terminal Housings(30)

Quick Disconnects(15)

## Also in the Series | Positive Lock 250



Automotive Terminals(1)



Crimp Terminal Housings(193)



Insertion & Extraction Tools(3)

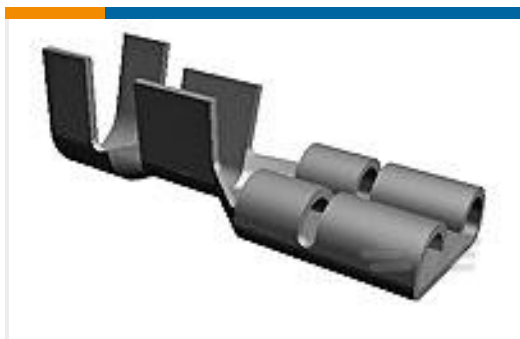


Insulation Boots & Sleeves(4)



Quick Disconnects(186)

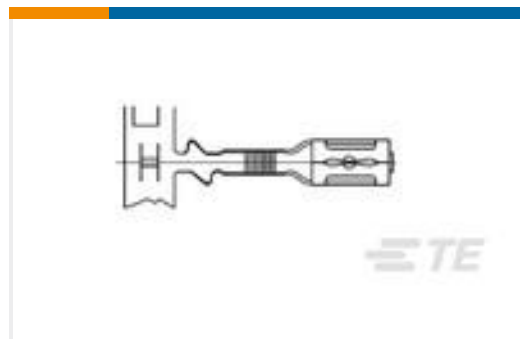
## Customers Also Bought



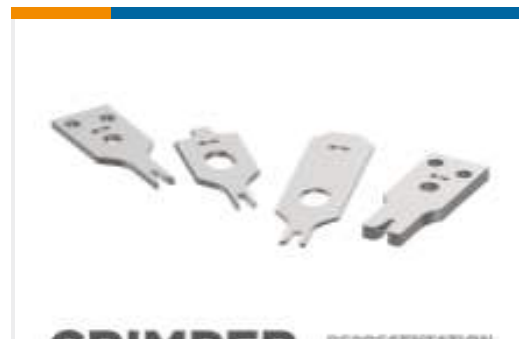
TE Part #444334-2  
250 FASTON REC 22-18 AWG TPBR



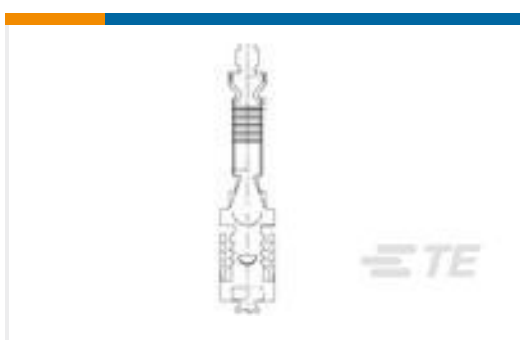
TE Part #4-280050-1  
250 FASTON,FLAG,REC.,16-20 AWG, BR



TE Part #1494212-2  
SIZE(2.8) AMPLIVAR FASTON RECP



TE Part #8-1707070-7  
WIRE CRIMPER



TE Part #2133474-1  
TAB REC. STATOR AMPLIVAR



TE Part #E46201-000  
BL-VERSAFIT-64/32-0-25MM

## Documents

### Product Drawings

PL MKIII .250 REC 0.5-1.0MM2

English

### CAD Files

3D PDF

3D



### Customer View Model

[ENG\\_CVM\\_CVM\\_1380088-1\\_D1.2d\\_dxf.zip](#)

English

### Customer View Model

[ENG\\_CVM\\_CVM\\_1380088-1\\_D1.3d\\_igs.zip](#)

English

### Customer View Model

[ENG\\_CVM\\_CVM\\_1380088-1\\_D1.3d\\_stp.zip](#)

English

By downloading the CAD file I accept and agree to the [Terms and Conditions](#) of use.

---

### Product Specifications

[Positive Lock MK III, .250 series](#)

English

---

### Product Environmental Compliance

[MD\\_1380088-1\\_06022017819\\_dmtec](#)

English

[MD\\_1380088-1\\_06022017819\\_dmtec](#)

English

---

### Agency Approvals

[UL Report](#)

English