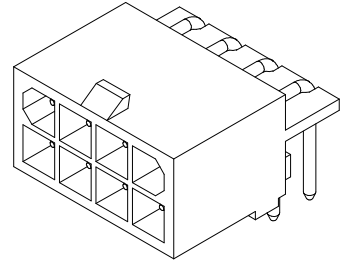


P.C.B LAYOUT



- Specifications:
 Voltage rating: 600V AC/DC
 Current rating: 9A AC/DC
 Withstanding voltage: 1500V AC/minute
 Temperature range: -40°C~+105°C
 Insulation resistance: ≥1000MΩ
 Contact resistance: ≤20mΩ

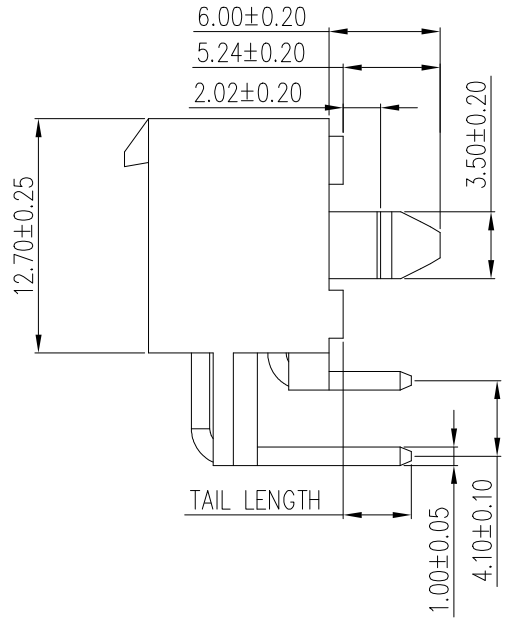
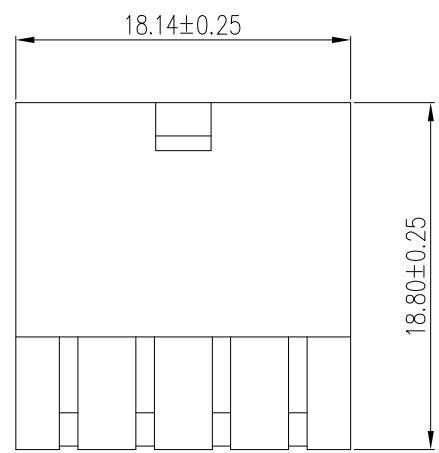
- Plastic material : PA9T Natural.
 Terminal material: Copper alloy
 Contact area: Selective gold plating, see detailed PN
 solder tail: 80u"min. Tin plating
 Under plating: Nickel plating 50u" thickness min. overall.

PART NUMBER SCHEME:
 10139401-0 X X XX LF

TAIL LENGTH
 0. 3.68mm
 1. 2.28mm

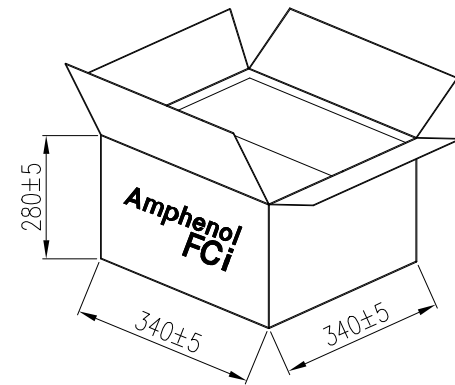
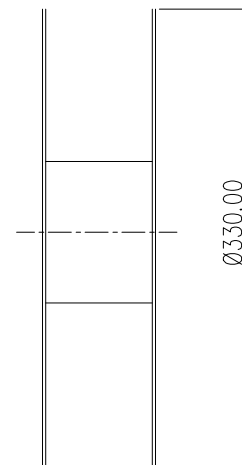
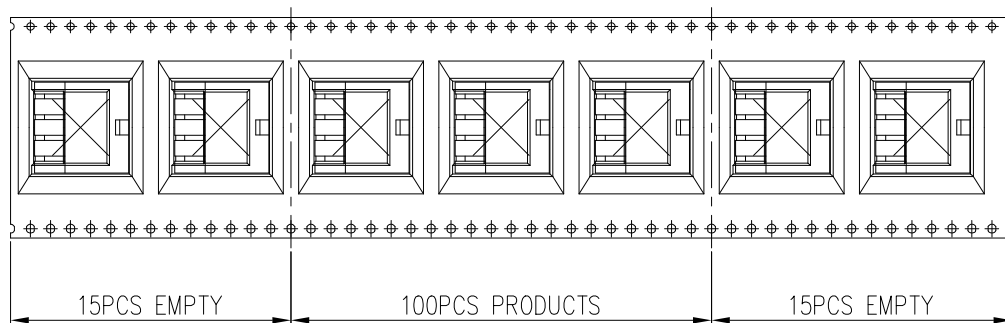
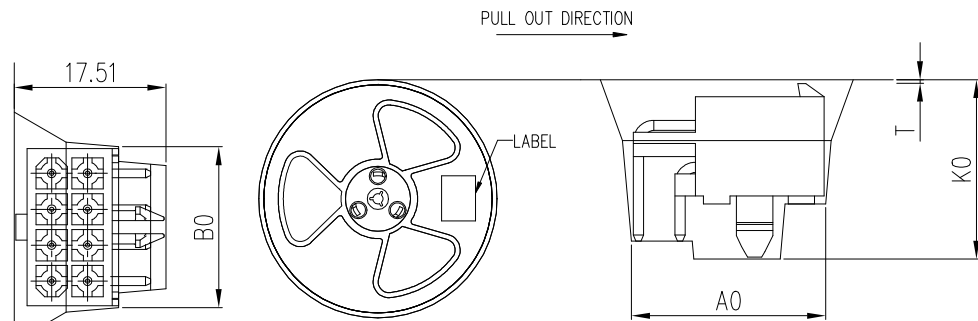
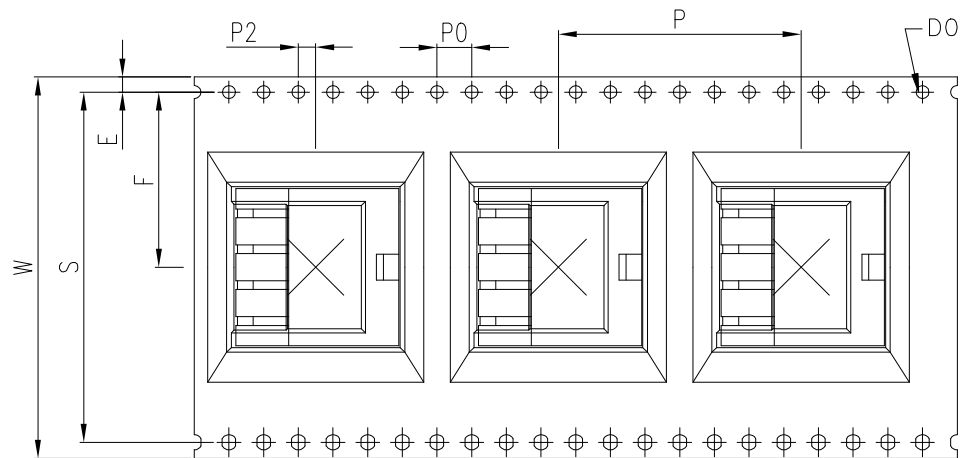
NO OF POS.
 08: 8 POS.

CONTACT PLATING
 1. 15u" GOLD PLATED
 2. GOLD FLASH



mat'l. code		surface ISO 1302 ✓		tolerance ISO 406 ISO 1101		projection		product family	
A		TONY 2017-07-14		tolerances unless otherwise specified		mm		MINITEK PWR	
B		ELX-N-28266 TONY 2017-10-26		angles linear		mm		title	
C		ELX-N-28383 TONY 2017-11-07		0°±2'		scale 1:1		R/A HEADER, 4.14mm PITCH DIP, DUAL ROW, 8 POS.	
		dr		KENNY TAI		2016-11-24		dwg no	
		engr		KENNY TAI		2016-11-24		sheet 1 of 2	
		chr		KENNY TAI		2016-11-24		size	
		appd		PM ZHENG		2016-11-24		A3	
sheet index		revision sheet		C C				type	
		1 2						Product Customer Drawing	





PCS REEL	REELS CARTON	QUANTITY (PCS)	W	S	E	F	T	P	P0	P2	DO	A0	K0	B0	POS.
100	5	500	44.0	40.40	1.75	20.20	0.50	28.00	4.00	2.00	Ø1.50	19.15	17.70	18.55	08

mat'l. code		surface	tolerance	projection	product family
ISO 1302 ✓		ISO 406	ISO 1101	MINITEK PWR	
ltr	ecn no	dr	date	tolerances unless otherwise specified	title
				angles linear	R/A HEADER, 4.14mm PITCH DIP, DUAL ROW, 8 POS.
				0°±2'	scale 1:1
		dr	KENNY TAI	2016-11-24	Amphenol FCI
		engr	KENNY TAI	2016-11-24	10139401
		chr	KENNY TAI	2016-11-24	sheet2 of 2 size A3
		appd	PM ZHENG	2016-11-24	type Product Customer Drawing
sheet index	revision sheet	C	C		
		1	2		