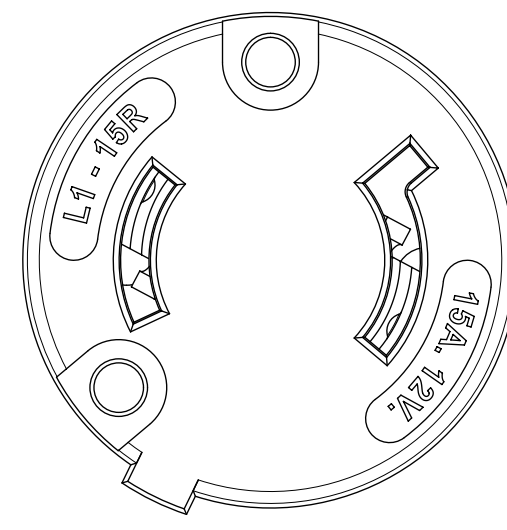
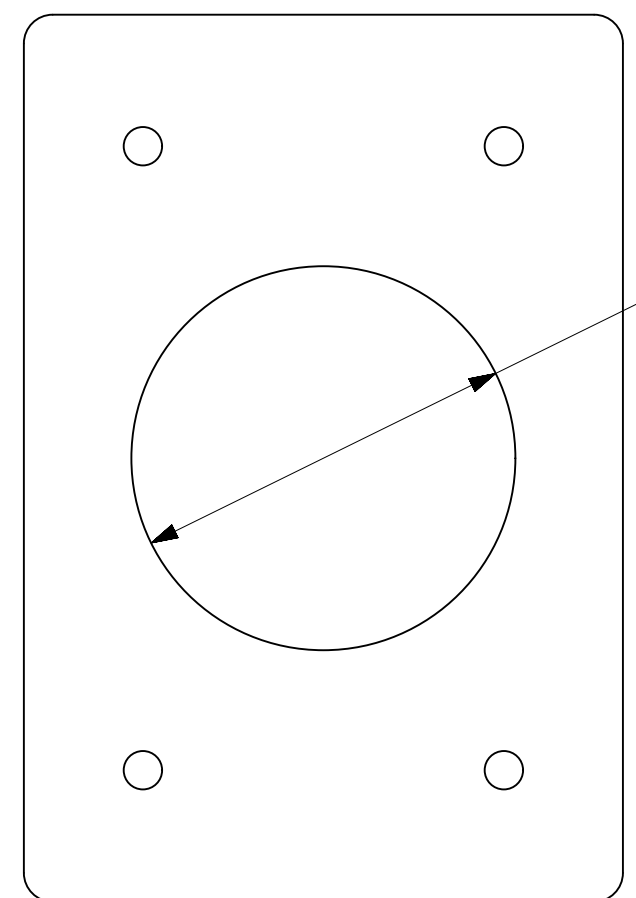
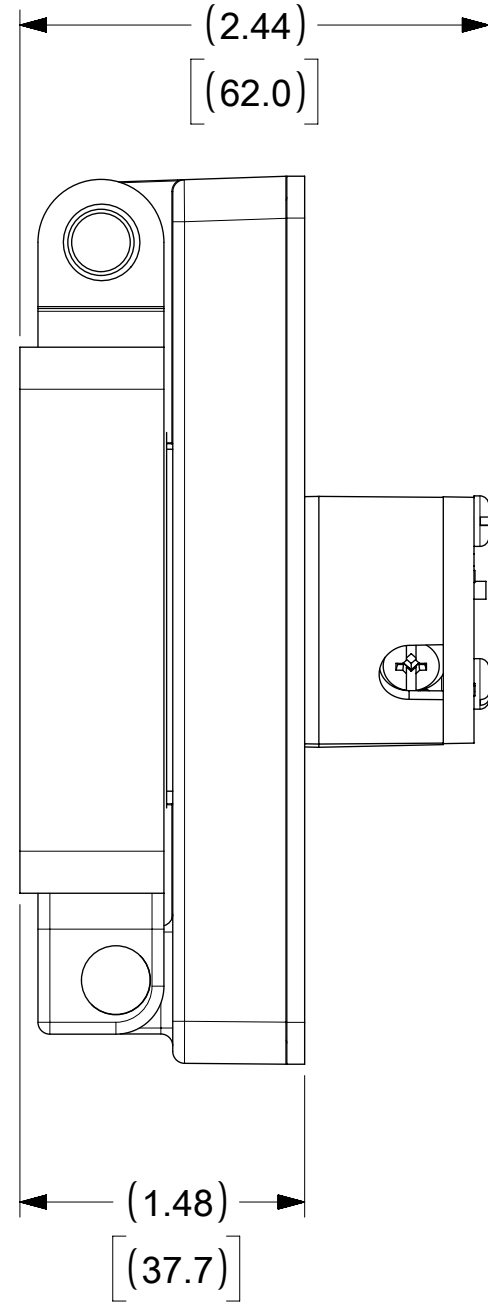
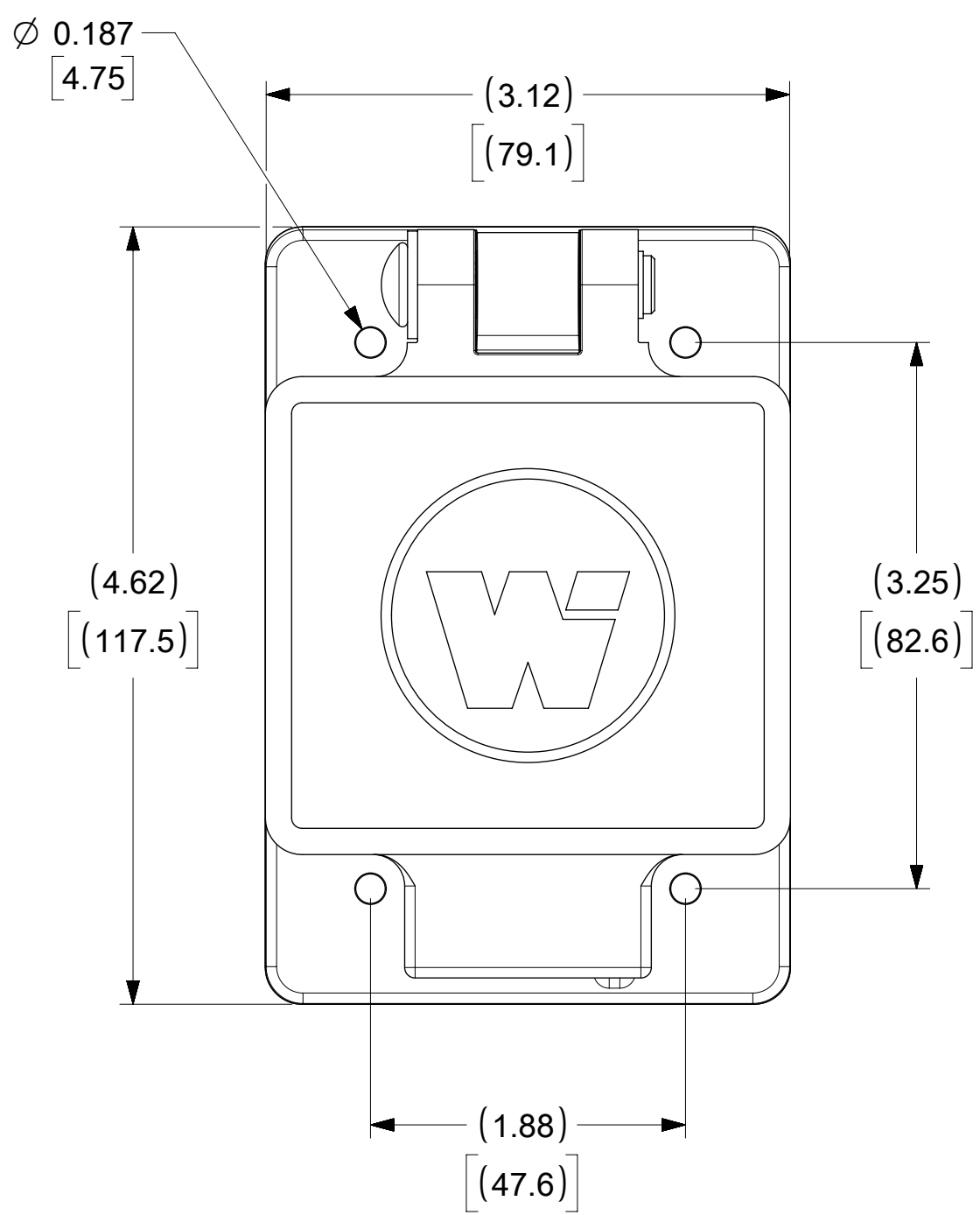
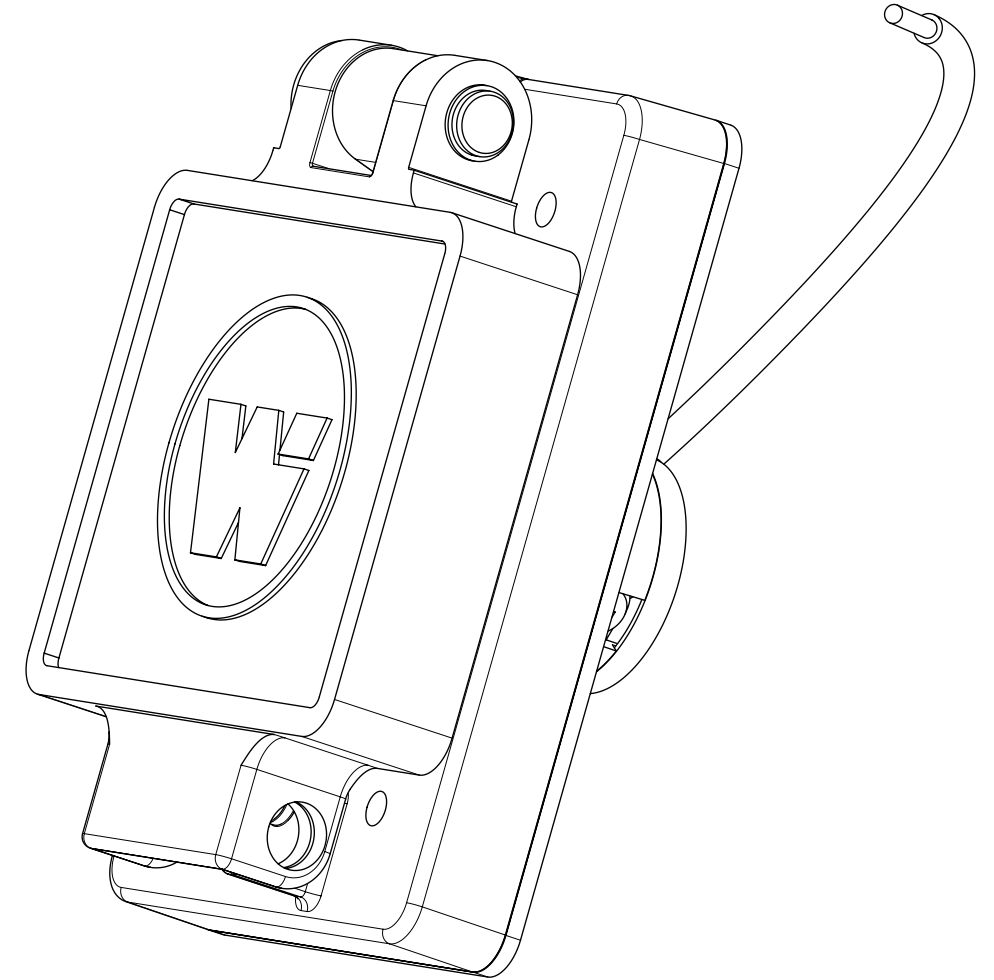


ORDER NO.	WOODHEAD NO.	COLOR
130018-0366	60W04	YELLOW



FACE VIEW



CLEARANCE HOLE (FOR PANEL MOUNT)

DESCRPTION	MATERIAL	QTY.
BLADES	BRASS, NICKEL PLATED	3
RETAINING SCREWS	STAINLESS STEEL	3
CLAMP AND TERMINAL SCREW ASSY.	BRASS, ZINC PLATED	3
FEMALE INSERT	NYLON	1
TERMINAL COVER	POLYCARBONATE	1
COVER ASSEMBLY	POLYCARBONATE, STAINLESS STEEL, ALUMINUM	1
GASKET FLIP	NEOPRENE	1
SUPPORT PLATE	STAINLESS STEEL	1
SCREW (GROUND WIRE)	STAINLESS STEEL	1
JUMPER WIRE ASSY	COPPER, BRASS (TINNED FINISH)	1

THIS DRAWING CONTAINS INFORMATION THAT IS PROPRIETARY TO MOLEX ELECTRONIC TECHNOLOGIES, LLC AND SHOULD NOT BE USED WITHOUT WRITTEN PERMISSION									
SYMBOLS		DIMENSION UNITS		SCALE		CURRENT REV DESC: MIGRATE TO ECTR/NX			
▽ = 0	INCH	MM	NTS			molex WATERTITE FS COVERPLATE 2P2W L1-15 PRODUCT CUSTOMER DRAWING			
▽ = 0	GENERAL TOLERANCES (UNLESS SPECIFIED)								
▽ = 0	4 PLACES	±	±			EC NO: 613511 DRWN: SRPATIL 2018/12/18 CHK'D: DNGUYEN62 2019/03/12 APPR: HKNEELAND 2019/03/21			
▽ = 0	3 PLACES	±	±			INITIAL REVISION: DRWN: SRPATIL 2018/12/18 APPR: HKNEELAND 2019/03/21			
▽ = 0	2 PLACES	±	±			DOCUMENT NUMBER: 1300180366 DOC TYPE: PSD DOC PART: 000 REVISION: A			
▽ = 0	1 PLACE	±	±			MATERIAL NUMBER: SEE TABLE CUSTOMER: GENERAL MARKET SHEET NUMBER: 1 OF 1			
▽ = 0	0 PLACES	±	±			DRAFT WHERE APPLICABLE MUST REMAIN WITHIN DIMENSIONS THIRD ANGLE PROJECTION DRAWING SERIES: C-SIZE 130018			