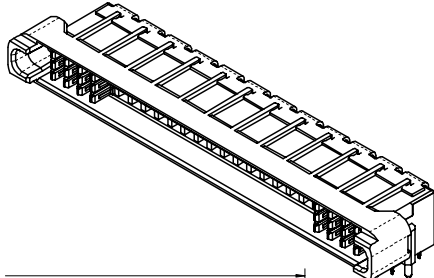
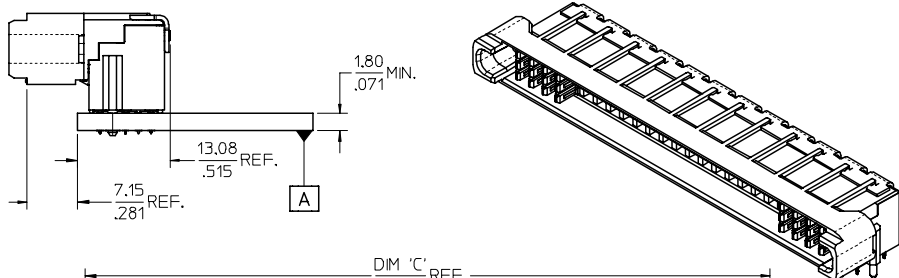


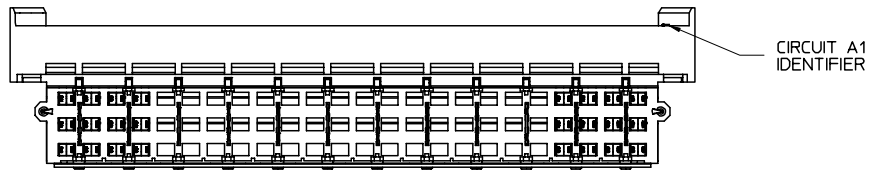
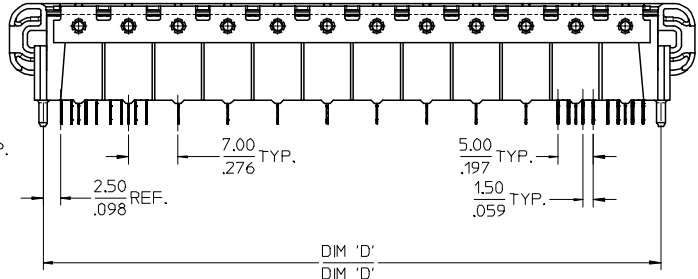
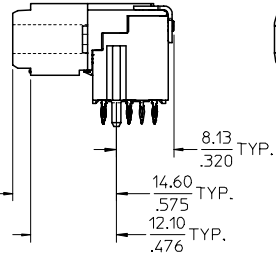
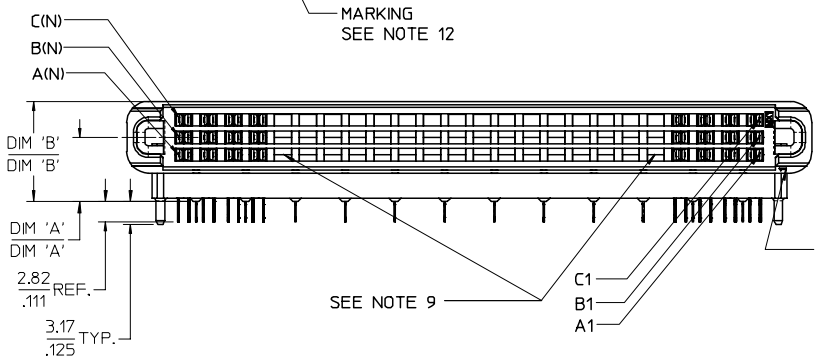
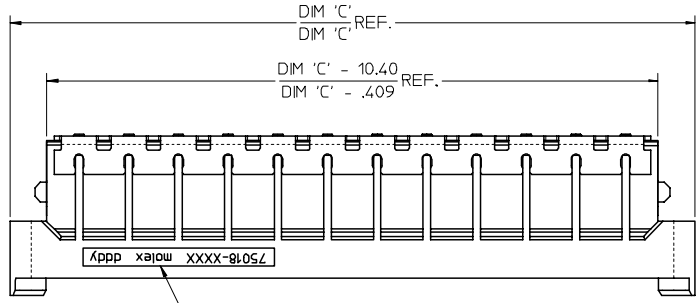
12 11 10 9 8 7 6 5 4 3 2

J
I
H
G
F
E
D
C
B
A

J
I
H
G
F
E
D
C
B
A



- NOTES:
- MATERIALS:
HOUSING - LIQUID CRYSTAL POLYMER, UL94 V-0
WAFER DIELECTRIC - LIQUID CRYSTAL POLYMER, UL94 V-0
CONTACT - COPPER ALLOY
 - FINISHES:
CONTACT INTERFACE
0.76 MICROMETER MINIMUM SELECT GOLD
1.27 MICROMETER MINIMUM NICKEL OVERALL
COMPLIANT INTERFACE
0.76 MICROMETER MINIMUM SELECT TIN-LEAD OVER
1.27 MICROMETER MINIMUM NICKEL OVERALL
HOUSING
0.10 MICROMETER MAXIMUM IMMERSION GOLD OVER
3.81 MICROMETER MINIMUM NICKEL OVER
3.81 MICROMETER MINIMUM COPPER OVERALL
 - PRODUCT SPECIFICATION: THIS PART CONFORMS TO MOLEX SPECIFICATION PS-75018-001.
 - PACKAGING SPECIFICATION: THIS PART TO BE PACKAGED PER SPECIFICATION PK-75020-010.
 - APPLICATION SPECIFICATION: THIS PART TO BE APPLIED PER SPECIFICATION PS-75018-001.
APPLICATION TOOL AND INSTRUCTIONS PER AS-75018-001.
 - MATING INFORMATION
THIS PART MATES WITH 75019-XXXX.
WILL MATE WITH MAXIMUM 1.27mm MIS-ALIGNMENT.
WILL MATE WITH MAXIMUM 0.5° MIS-ALIGNMENT.
 - FOR CIRCUIT DESIGNATION SEE SHEET 3
 - FOR PCB INFORMATION SEE SHEET 3
 - CIRCUITS IN THIS ZONE HAVE BEEN OMITTED TO SIMPLIFY THE MODEL. ACTUAL PRODUCT IS FULLY LOADED WITH TERMINALS.
 - APPLICATION TOOLING KEEP OUT AREA. NO COMPONENTS ALLOWED IN THIS AREA.
 - CONFORMS TO MOLEX COSMETIC SPECIFICATION PS-75005-002.
 - MARKING: PART NUMBER, MOLEX LOGO, DATE CODE
 - RECOMMENDED DRILL SIZE 0.66±0.03 TO YIELD FINISHED PLATED THROUGH HOLE OF 0.55±0.05

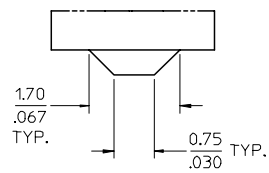
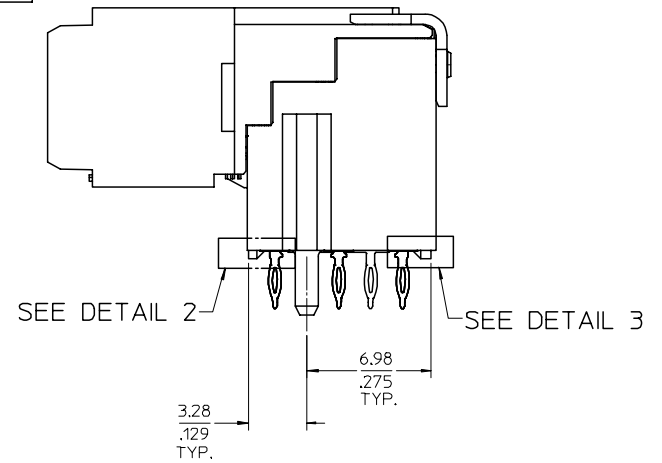
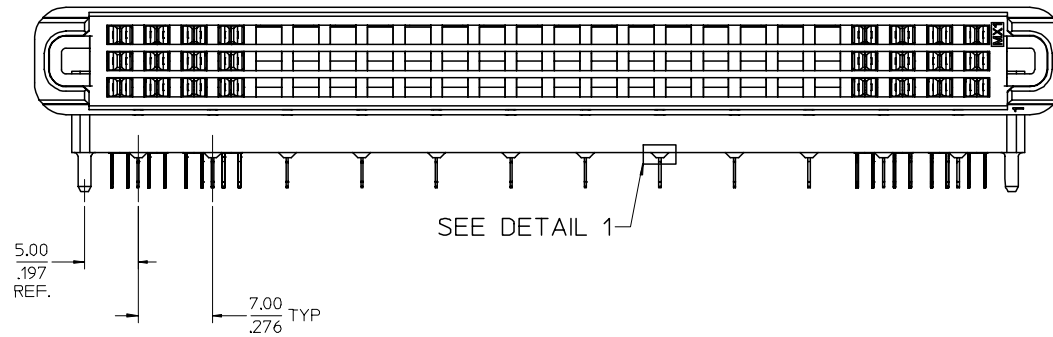


ADD VIEWS - SHT 2 EC NO: UCP2008-0339 DRWN:MSBARRAZ2007/09/04 CHKD:SDANNELL2007/09/14 APPR:SMILLER 2007/09/14	QUALITY SYMBOLS	GENERAL TOLERANCES (UNLESS SPECIFIED) DIMENSION STYLE 4 PLACES ± --- ± --- 3 PLACES ± --- ± .005 2 PLACES ± 0.13 ± .01 1 PLACE ± 0.25 ± --- ANGULAR ±1/2°	SCALE 2:1	DESIGN UNITS METRIC	THIRD ANGLE PROJECTION	REVISE ON CAD ONLY	
	DESCRIPTION		DRAFT WHERE APPLICABLE	TITLE		PLATEAU HS DOCK™ FIXED CONNECTOR NO GROUND FINGER	
	REV		MUST REMAIN WITHIN DIMENSIONS	DIMENSION STYLE MM/IN		MOLEX INCORPORATED	
				DRAWN BY DATE LANG 03-OCT-29		CHECKED BY DATE LANG 03-OCT-29	
			APPROVED BY DATE BANAKIS 03-OCT-29		MATERIAL NO. DOCUMENT NO. SHEET NO. SEE SHEET 2 SD-75018-011 1 OF 3		
			THIS DRAWING CONTAINS INFORMATION THAT IS PROPRIETARY TO MOLEX INCORPORATED AND SHOULD NOT BE USED WITHOUT WRITTEN PERMISSION				

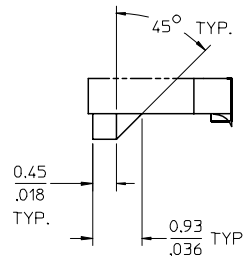
11 10 9 8 7 6 5 4 3 2 1

ITEM NUMBER	CIRCUIT SIZE	NO. OF COLUMNS 'N'	CENTERLINE DIMENSION 'A' mm(in)	O/A HEIGHT DIMENSION 'B' mm(in)	O/A LENGTH DIMENSION 'C' mm(in)	PEG TO PEG DIMENSION 'D' mm(in)	FIRST-LAST DIMENSION 'E' mm(in)
75018-0021	144	48	4.74 (.187)	9.78 (.385)	96.50 (3.799)	87.00 (3.425)	82.00 (3.228)
75018-0022	144	48	5.74 (.226)	10.78 (.424)	96.50 (3.799)	87.00 (3.425)	82.00 (3.228)
75018-0023	144	48	8.74 (.344)	13.78 (.543)	96.50 (3.799)	87.00 (3.425)	82.00 (3.228)
75018-0026	120	40	4.74 (.187)	9.78 (.385)	82.50 (3.248)	73.00 (2.874)	68.00 (2.677)
75018-0024	108	36	4.74 (.187)	9.78 (.385)	75.50 (2.972)	66.00 (2.598)	61.00 (2.402)
75018-0025	108	36	8.74 (.344)	13.78 (.543)	75.50 (2.972)	66.00 (2.598)	61.00 (2.402)
75018-0027	108	36	5.74 (.226)	10.78 (.424)	75.50 (2.972)	66.00 (2.598)	61.00 (2.402)
75018-0029	120	40	5.74 (.226)	10.78 (.424)	82.50 (3.248)	73.00 (2.874)	68.00 (2.677)

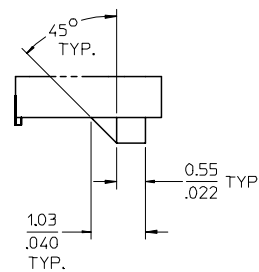
NOTE: THIS ITEM NUMBER HAS ONLY SIGNAL PINS



DETAIL 1
SCALE 15:1



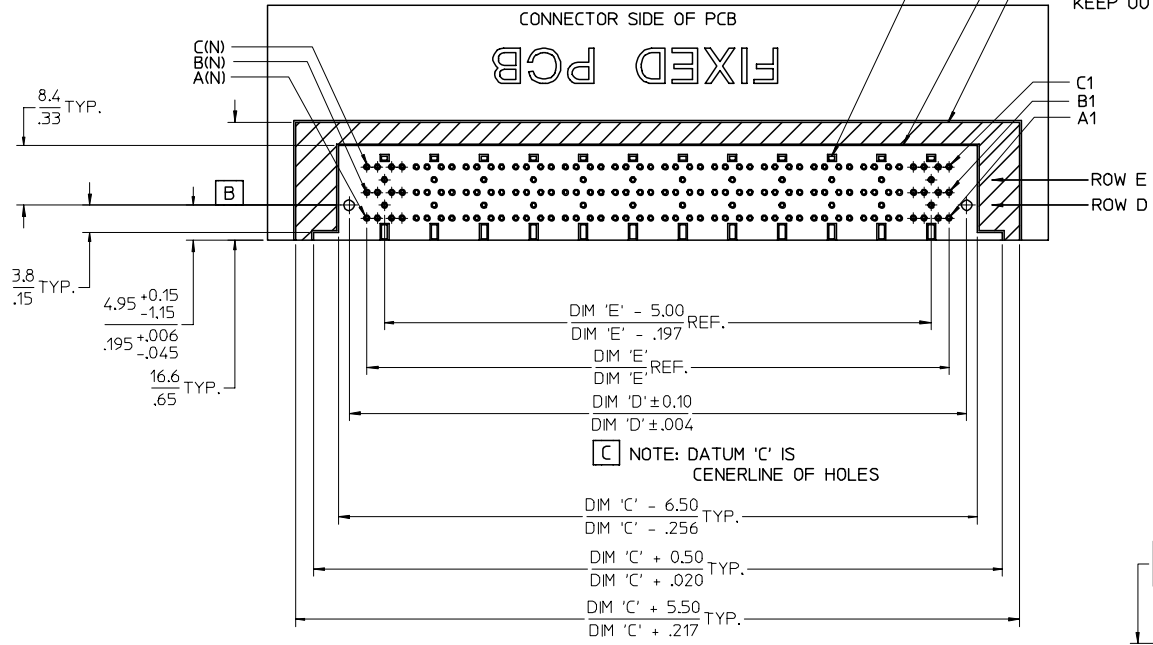
DETAIL 2
SCALE 15:1



DETAIL 3
SCALE 15:1

ADD VIEWS EC NO: UCP2008-0339 DRWN: MSBARRAZ2007/09/04 CHKD: SDANNELL2007/09/14 APPR: SMILLER 2007/09/14	QUALITY SYMBOLS	GENERAL TOLERANCES (UNLESS SPECIFIED)	SCALE 3:1	DESIGN UNITS METRIC	THIRD ANGLE PROJECTION	REVISE ON CAD ONLY	
	DESCRIPTION		mm	INCH	TITLE		
	REVISION		4 PLACES ± --- ± ---	DIMENSION STYLE MM/IN		PLATEAU HS DOCK™ FIXED CONNECTOR NO GROUND FINGER	
			3 PLACES ± --- ± .005	DRAWN BY DATE		LANG 03-OCT-29	
	2 PLACES ± 0.13 ± .01	2 PLACES ± 0.25 ± ---	CHECKED BY DATE		LANG 03-OCT-29		
	1 PLACE ± 0.25 ± ---	ANGULAR ±1/2°	APPROVED BY DATE		MATERIAL NO. DOCUMENT NO. SHEET NO.		
		DRAFT WHERE APPLICABLE	BANAKIS 03-OCT-29		SEE CHART SD-75018-011 2 OF 3		
		MUST REMAIN WITHIN DIMENSIONS	THIS DRAWING CONTAINS INFORMATION THAT IS PROPRIETARY TO MOLEX INCORPORATED AND SHOULD NOT BE USED WITHOUT WRITTEN PERMISSION				

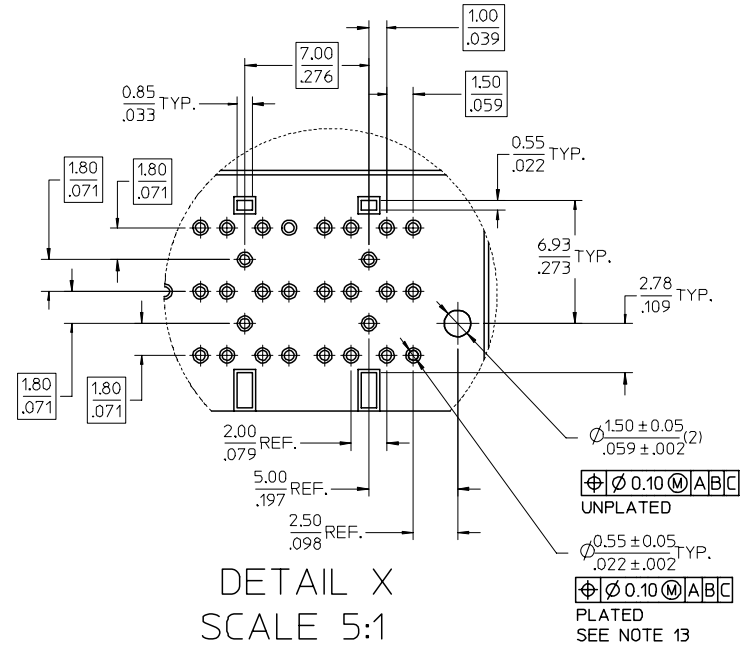
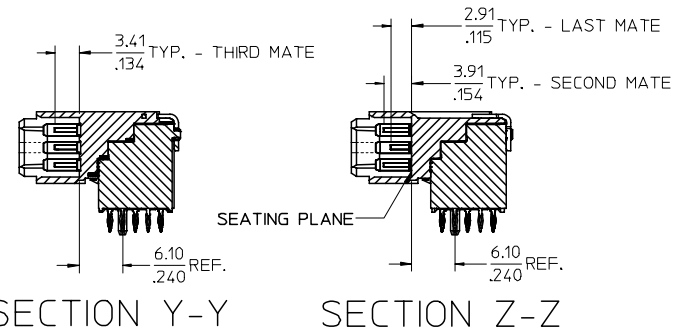
NO EXPOSED TRACES ON SURFACE OF PCB IN CONNECTOR STAND OFF LOCATIONS
 CONNECTOR KEEP OUT AREA
 APPLICATION TOOLING KEEP OUT AREA (NOTES 5 & 10)



CIRCUIT DESIGNATION
 FIRST MATE: HOUSING - SIGNAL GROUND
 SECOND MATE: A1, C1, A(N), C(N) (FOR POWER RETURN)
 THIRD MATE: A2, B2, C2, A(N-1), B(N-1), C(N-1) & ALL OTHERS (A2, C2, A(N-1) & C(N-1) FOR POWER) (ALL OTHERS SIGNAL)
 LAST MATE: B1, B(N) (FOR CARD DETECT)
 ALL COLUMNS FROM 3 THROUGH (N-2) ARE SUITABLE FOR DIFFERENTIAL PAIRS
 EG: A3-A4, B3-B4, C3-C4, A(N-2)-A(N-3), B(N-2)-B(N-3)
 SIGNAL GROUND: ROWS D & E

NOMINAL WIPE - FULL SEATED

FIRST MATE: 5.2mm
 SECOND MATE: 2.7mm
 THIRD MATE: 2.2mm
 LAST MATE: 1.7mm



UPDATE REV LEVEL EC NO: UCP2008-0339 DRWN: MSBARRAZ2007/09/04 CHKD: SDANNELL2007/09/14 APPR: SMILLER 2007/09/14	QUALITY SYMBOLS ▽ = 0 ◻ = 0	GENERAL TOLERANCES (UNLESS SPECIFIED)		SCALE 2:1	DESIGN UNITS METRIC	THIRD ANGLE PROJECTION	REVISE ON CAD ONLY	
				DIMENSION STYLE MM/IN		TITLE		
		4 PLACES ± --- ± ---	3 PLACES ± --- ± .005	DRAWN BY	DATE	PLATEAU HS DOCK™ FIXED CONNECTOR NO GROUND FINGER		
		2 PLACES ± 0.13 ± .01	1 PLACE ± 0.25 ± ---	CHECKED BY	DATE	MOLEX INCORPORATED		
	ANGULAR ± 1/2°	DRAFT WHERE APPLICABLE		APPROVED BY	DATE	MATERIAL NO.	DOCUMENT NO.	
	MUST REMAIN WITHIN DIMENSIONS			BANAKIS	03-OCT-29	SEE SHEET 2	SD-75018-011	
				THIS DRAWING CONTAINS INFORMATION THAT IS PROPRIETARY TO MOLEX INCORPORATED AND SHOULD NOT BE USED WITHOUT WRITTEN PERMISSION		SHEET NO. 3 OF 3		