

## Bellows suction cups (round)

SFB1 25 NBR-ESD-55 G1/8-IG

Part no...:10.01.06.04795

<https://www.schmalz.com/10.01.06.04795>

Home > Vacuum Technology for Automation > Vacuum Components > Vacuum Suction Cups > Suction Cups for the Electronics Industry > Suction Cups SFF / SFB1 > SFB1 25 NBR-ESD-55 G1/8-IG

### Bellows suction cup (round) for very uneven workpieces flexible workpieces



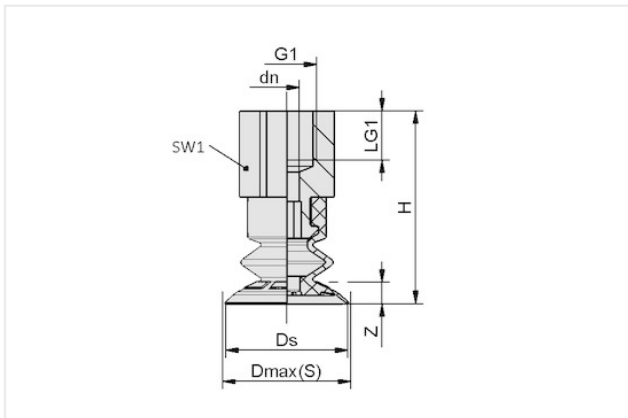
Size: 25

Suction cup material: Nitrile rubber NBR-ESD

Material hardness [Shore A]: 55 Shore A

Number of folds: 1.5

### Design Data



Attribute	Value
G1	G1/8"-F
Dmax(S)	26.50 mm
Ds	25 mm
dn	4.10 mm
LG1	8 mm
H	33.20 mm
SW1	14 mm
Z (Stroke)	6.50 mm

### Technical Data

Attribute	Value
Size	25
Suction cup material	Nitrile rubber NBR-ESD
Suction force (-600mbar)	3.20 N
Product family	SFB1
Volume	1.90 cm <sup>3</sup>
Number of folds	1.50
Material hardness [Shore A]	55 Shore A

### Contact Schmalz

Schmalz Inc. | 5850 Oak Forest Drive, Raleigh, NC 27616, United States | +1 (919) 713-0880 | [schmalz.us@schmalz.com](mailto:schmalz.us@schmalz.com)

## Bellows suction cups (round)

SFB1 25 NBR-ESD-55 G1/8-IG

Part no...:10.01.06.04795

<https://www.schmalz.com/10.01.06.04795>

### Spare parts



#### SFB1 25 NBR-ESD-55 SC040

Part no...:10.01.06.04714

Size: 25

Suction cup material: Nitrile rubber NBR-ESD

Material hardness [Shore A]: 55 Shore A

Number of folds: 1.5



#### SC 040 G1/8-IG

Part no...:10.01.06.02482

Connection geometry: 040

Connection: G1/8"-F

Length L1: 20.7 mm

Fitting length: 14 mm

Nominal diameter dn: 4.1 mm