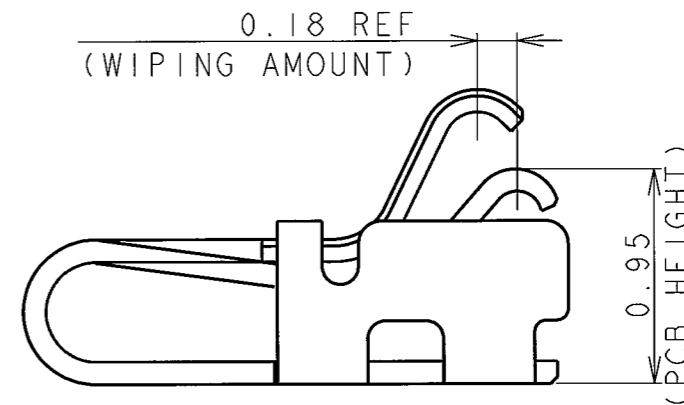
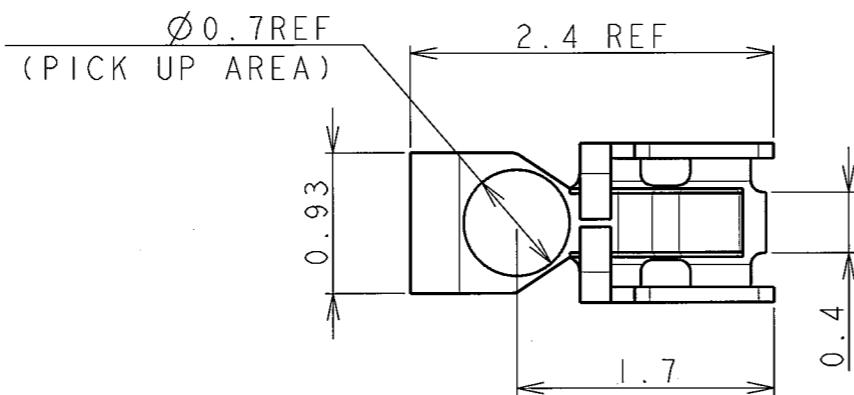


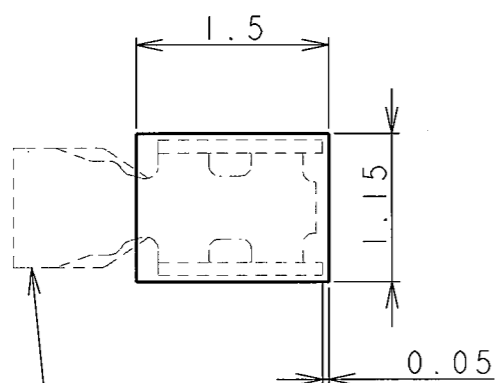
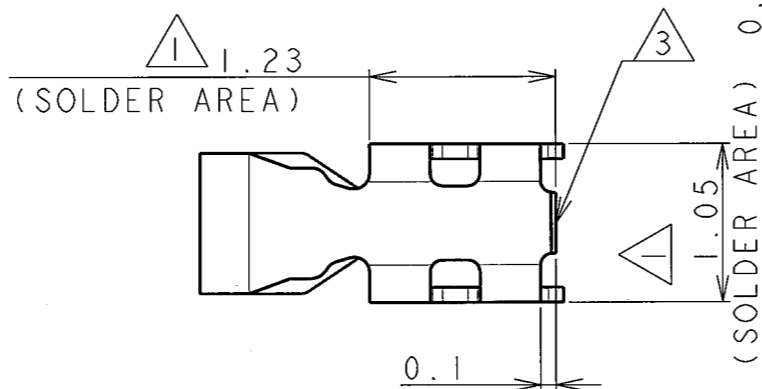
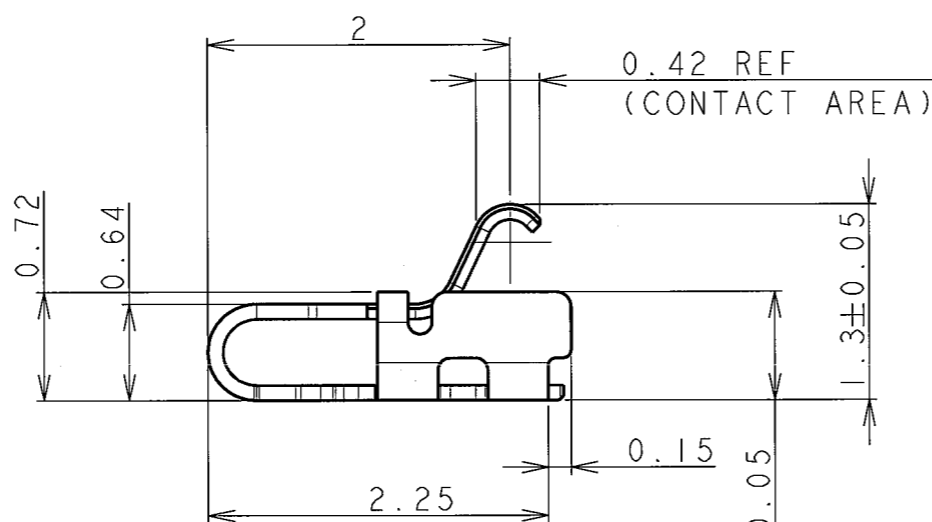
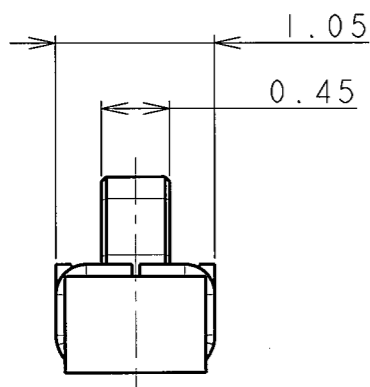
LOC	DIST
J	-

REVISIONS				
P	LTR	DESCRIPTION	DATE	APVD
	A	RELEASED	13JAN2010	Y.K Y.N

AS SHOWN : - 1



STROKE CONDITION  
SCALE 30:1



PCB LAYOUT (REFERENCE)

- △ FINISH (PLATING SPECIFICATION)  
 Ni UNDER PLATING : 0.0008mm TO 0.002mm  
 Au PLATING (CONTACT PLATING) : 0.00025mm TO 0.0005mm  
 AU PLATING (SOLDER PLATING) : 0.00005mm TO 0.0005mm
- △ MATERIAL : COPPER ALLOY, THK.=0.1mm
- △ CUTTING BURR : 0.05mm MAX.
- 4 DISUSED PACKAGEING MATERIAL : DRYPACK AND BAKING PROCESS
- △ めっき仕様  
 Ni 下地めっき : 0.0008mm - 0.002mm  
 Au めっき (接点部めっき) : 0.00025mm TO 0.0005mm  
 AU めっき (半田部) : 0.00005mm TO 0.0005mm
- △ 材料 : 銅合金, 板厚=0.1mm
- △ カットバリ : 0.05mm以下
- 4 ドライバック及びベーキングは不要のこと

THIS DRAWING IS A CONTROLLED DOCUMENT FOR TYCO ELECTRONICS CORPORATION IT IS SUBJECT TO CHANGE AND THE CONTROLLING ENGINEERING ORGANIZATION SHOULD BE CONTACTED FOR THE LATEST REVISION.		DWN Y. KUDO 01DEC2009	Tyco Electronics Corporation Kawasaki, Japan	
DIMENSIONS: mm		CHK C. OHASHI 01DEC2009	NAME	
TOLERANCES UNLESS OTHERWISE SPECIFIED: ±0.15		APVD Y. NAKAZAWA 01DEC2009	SHIELD FINGER 1310	
0-PLC ± 1-PLC ± 2-PLC ± 3-PLC ± 4-PLC ± ANGLES ±3°		PRODUCT SPEC 108-78740	SIZE	RESTRICTED TO
MATERIAL △ 2	FINISH △ 1	APPLICATION SPEC	CAGE CODE A300779	DRAWING NO C=1554825
WEIGHT 0.0044 g		SCALE 20:1 SHEET 1 OF 2 REV A		
CUSTOMER DRAWING				

THIS DRAWING IS UNPUBLISHED.

RELEASED FOR PUBLICATION

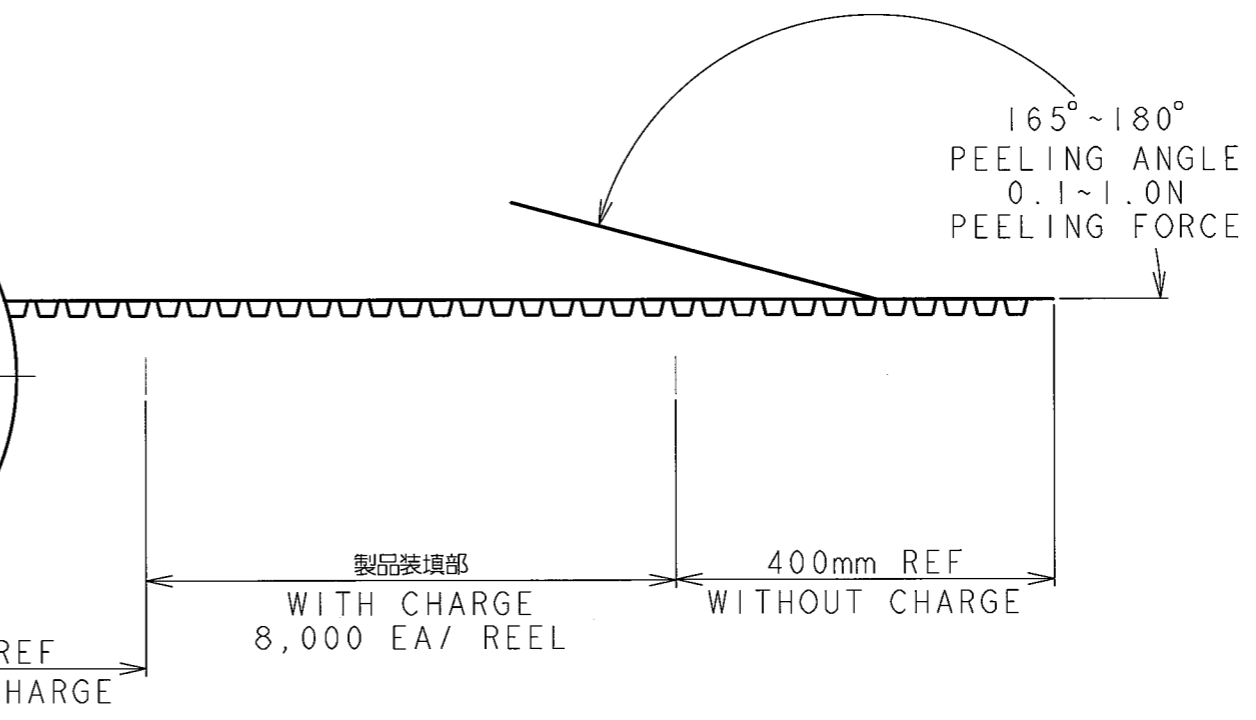
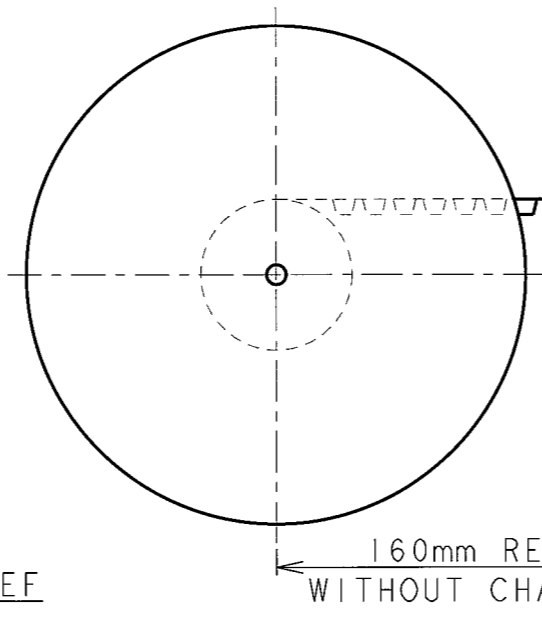
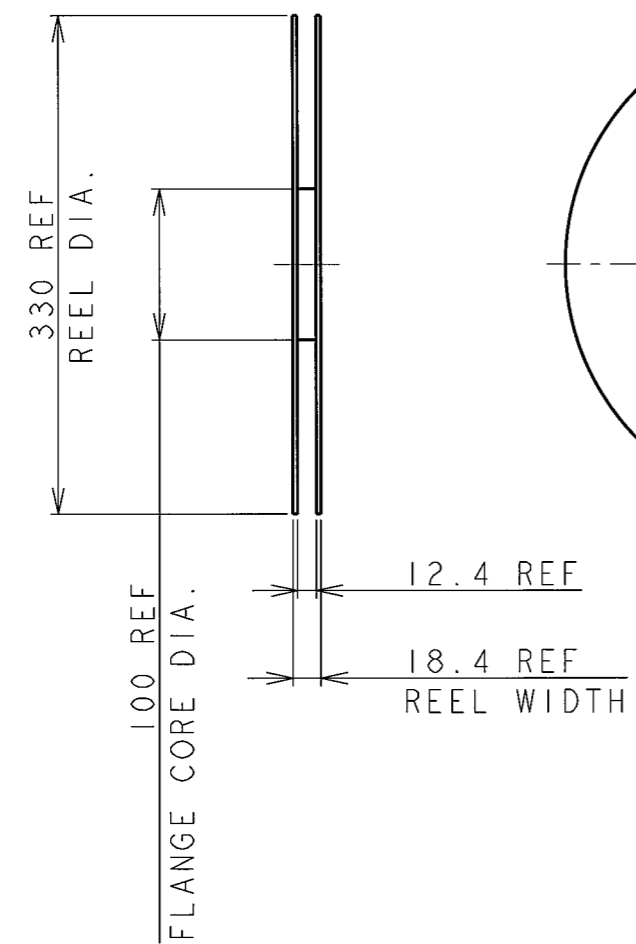
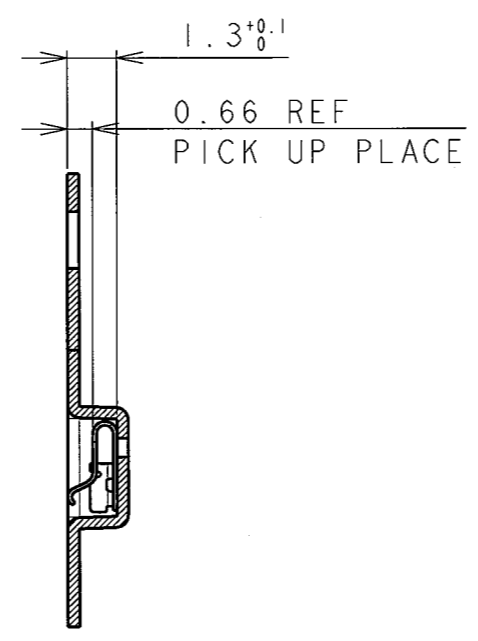
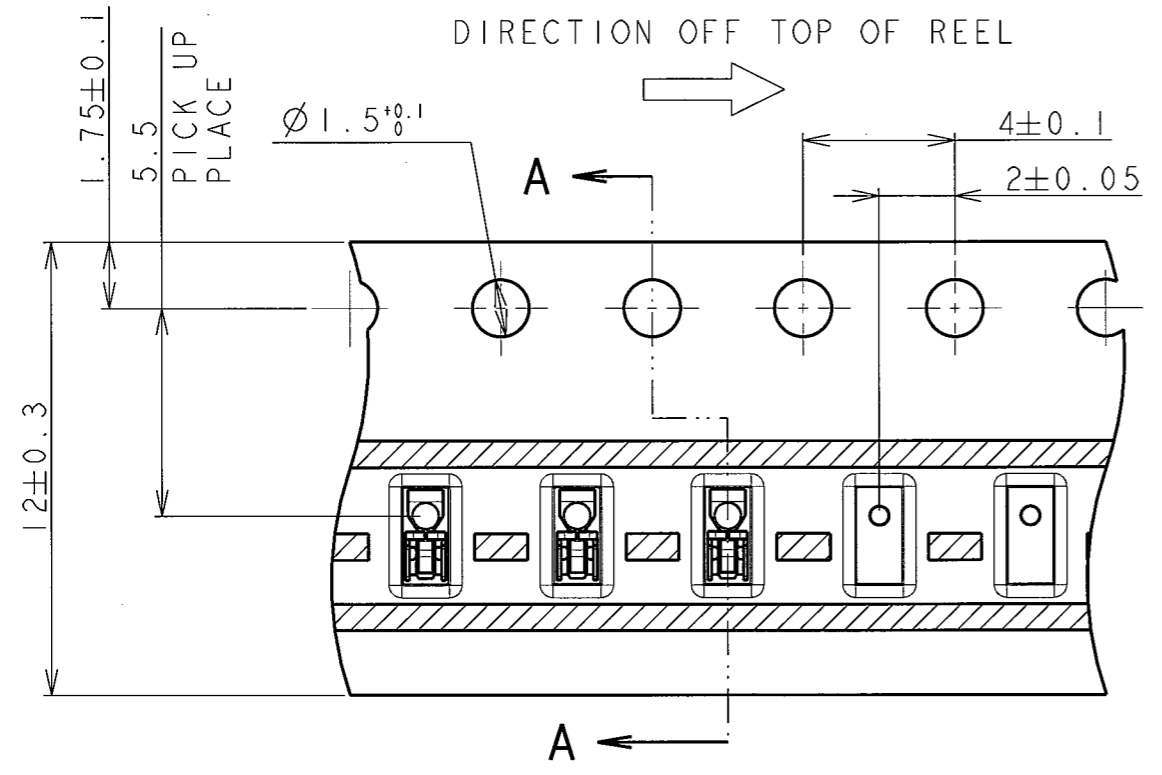
20

LOC DIST

REVISIONS

© COPYRIGHT 20 BY TYCO ELECTRONICS CORPORATION. ALL INTERNATIONAL RIGHTS RESERVED.

P	LTR	DESCRIPTION	DATE	DWN	APVD
-	-	SEE SHEET 1	-	-	-



THIS DRAWING IS A CONTROLLED DOCUMENT FOR TYCO ELECTRONICS CORPORATION IT IS SUBJECT TO CHANGE AND THE CONTROLLING ENGINEERING ORGANIZATION SHOULD BE CONTACTED FOR THE LATEST REVISION.

DIMENSIONS: mm	TOLERANCES UNLESS OTHERWISE SPECIFIED: ±0.2
	0 PLC ±
	1 PLC ±
	2 PLC ±
	3 PLC ±
	4 PLC ±
	ANGLES ±3°
MATERIAL	FINISH

DWN	CHK	APVD	PRODUCT SPEC	APPLICATION SPEC	WEIGHT	Tyco Electronics Corporation Kawasaki, Japan	
NAME						SHIELD FINGER 1310	
SIZE	CAGE CODE	DRAWING NO	RESTRICTED TO			A300779C-1554825	
CUSTOMER DRAWING						SCALE 20:1	SHEET 2 OF 2 REV A