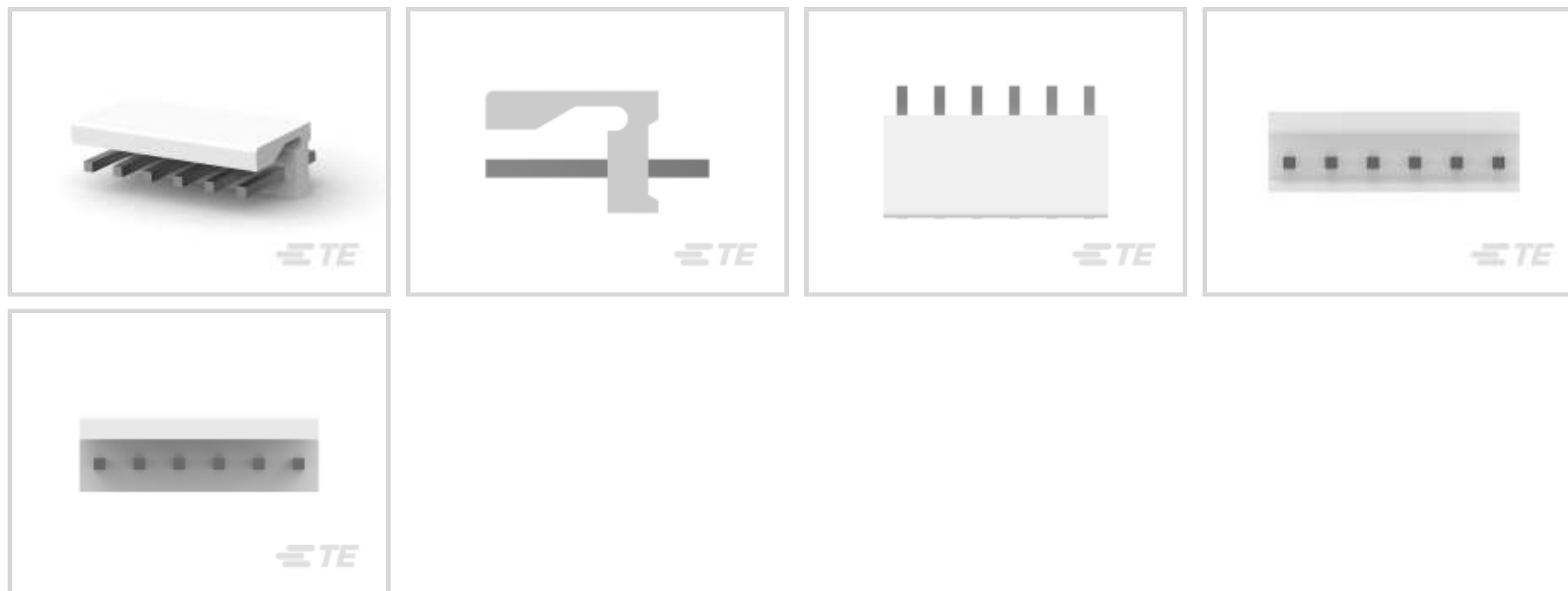


1744194-6 ✓ ACTIVE

TE Internal #: 1744194-6

TE Internal Description: 06P MTA156 HDR ASSY FL/STR SN

[View on TE.com >](#)



Product Compliance

[For compliance documentation, visit the product page on TE.com>](#)

EU RoHS Directive 2011/65/EU	Compliant
EU ELV Directive 2000/53/EC	Compliant
China RoHS 2 Directive MIIT Order No 32, 2016	No Restricted Materials Above Threshold
EU REACH Regulation (EC) No. 1907/2006	Current ECHA Candidate List: JUNE 2023 (235) Candidate List Declared Against: JAN 2023 (233) Does not contain REACH SVHC
Halogen Content	Not Low Halogen - contains Br or Cl > 900 ppm.
Solder Process Capability	Wave solder capable to 265°C

Product Compliance Disclaimer

This information is provided based on reasonable inquiry of our suppliers and represents our current actual knowledge based on the information they provided. This information is subject to change. The part numbers that TE has identified as EU RoHS compliant have a maximum concentration of 0.1% by weight in homogenous materials for lead, hexavalent chromium, mercury, PBB, PBDE, DBP, BBP, DEHP, DIBP, and 0.01% for cadmium, or qualify for an exemption to these limits as defined in the Annexes of Directive 2011/65/EU (RoHS2). Finished electrical and electronic equipment products will be CE marked as required by Directive 2011/65/EU. Components may not be CE marked. Additionally, the part numbers that TE has identified as EU ELV compliant have a maximum concentration of 0.1% by weight in homogenous materials for lead, hexavalent chromium, and mercury, and 0.01% for cadmium, or qualify for an exemption to these limits as defined in the Annexes of Directive 2000/53/EC (ELV). Regarding the REACH Regulation, the information TE provides on SVHC in articles for this part number is based on the latest European Chemicals Agency (ECHA) 'Guidance on requirements for substances in articles' posted at this URL: <https://echa.europa.eu/guidance-documents/guidance-on-reach>

Customers Also Bought



TE Part #5499206-8
A/L UNIV HDR 34P VERT LG LAT



TE Part #3-641216-2
02P MTA100 HDR ASSY FL/RA LF



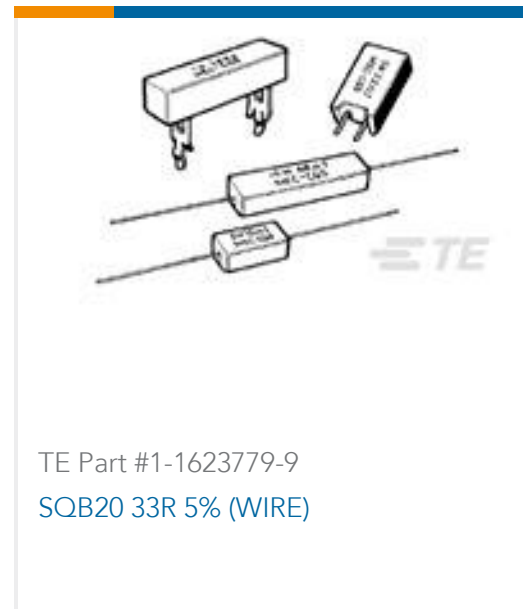
TE Part #640251-6
06P SL156 HSG W/O LCK RAMP



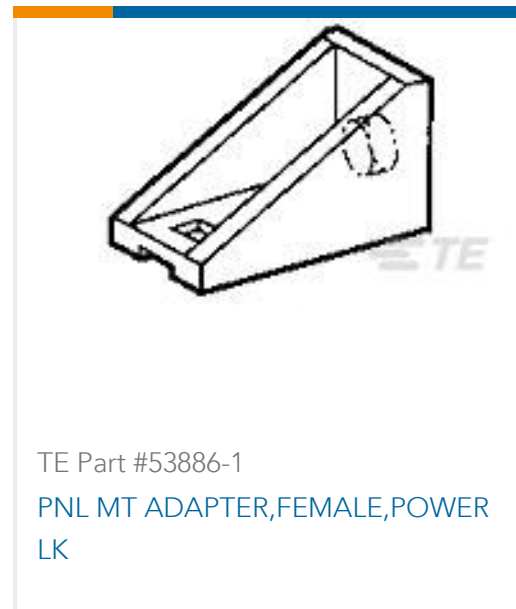
TE Part #3-1630012-1
HSC150 150R 5%



TE Part #2-1879457-5
Wirewound Resistor: Mineral, 2.5 Kw



TE Part #1-1623779-9
SQB20 33R 5% (WIRE)



TE Part #53886-1
PNL MT ADAPTER,FEMALE,POWER LK



TE Part #53884-1
HSG ASSY,PWR LK,SRS2,1 POS,BLU LK



TE Part #1744416-6
6 POS EP II HSG, GLOW WIRE

Documents

Product Drawings

[06P MTA156 HDR ASSY FL/STR SN](#)

English

CAD Files

[3D PDF](#)

3D

Customer View Model

[ENG_CVM_CVM_1744194-6_D_c-1744194-6-d.2d_dxf.zip](#)

English

Customer View Model

[ENG_CVM_CVM_1744194-6_D_c-1744194-6-d.3d_igs.zip](#)

English

Customer View Model

[ENG_CVM_CVM_1744194-6_D_c-1744194-6-d.3d_stp.zip](#)

English

By downloading the CAD file I accept and agree to the [Terms and Conditions](#) of use.

Agency Approvals



Agency Approval Document

English