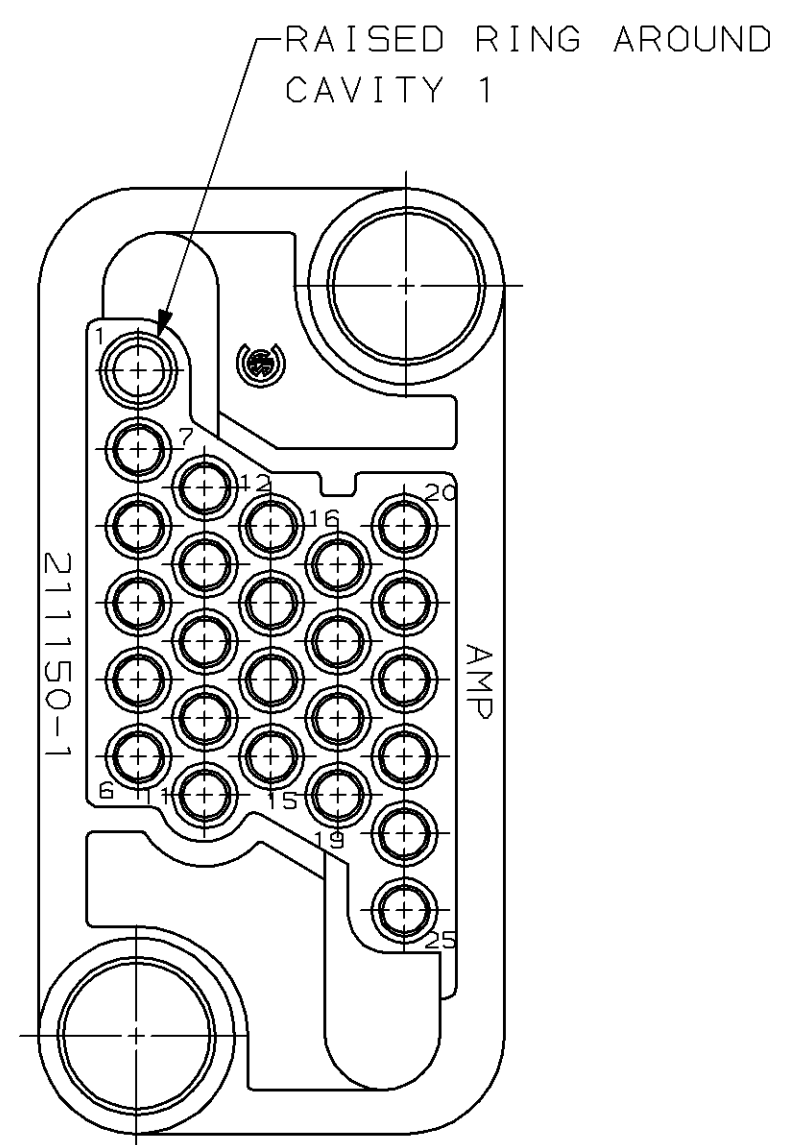
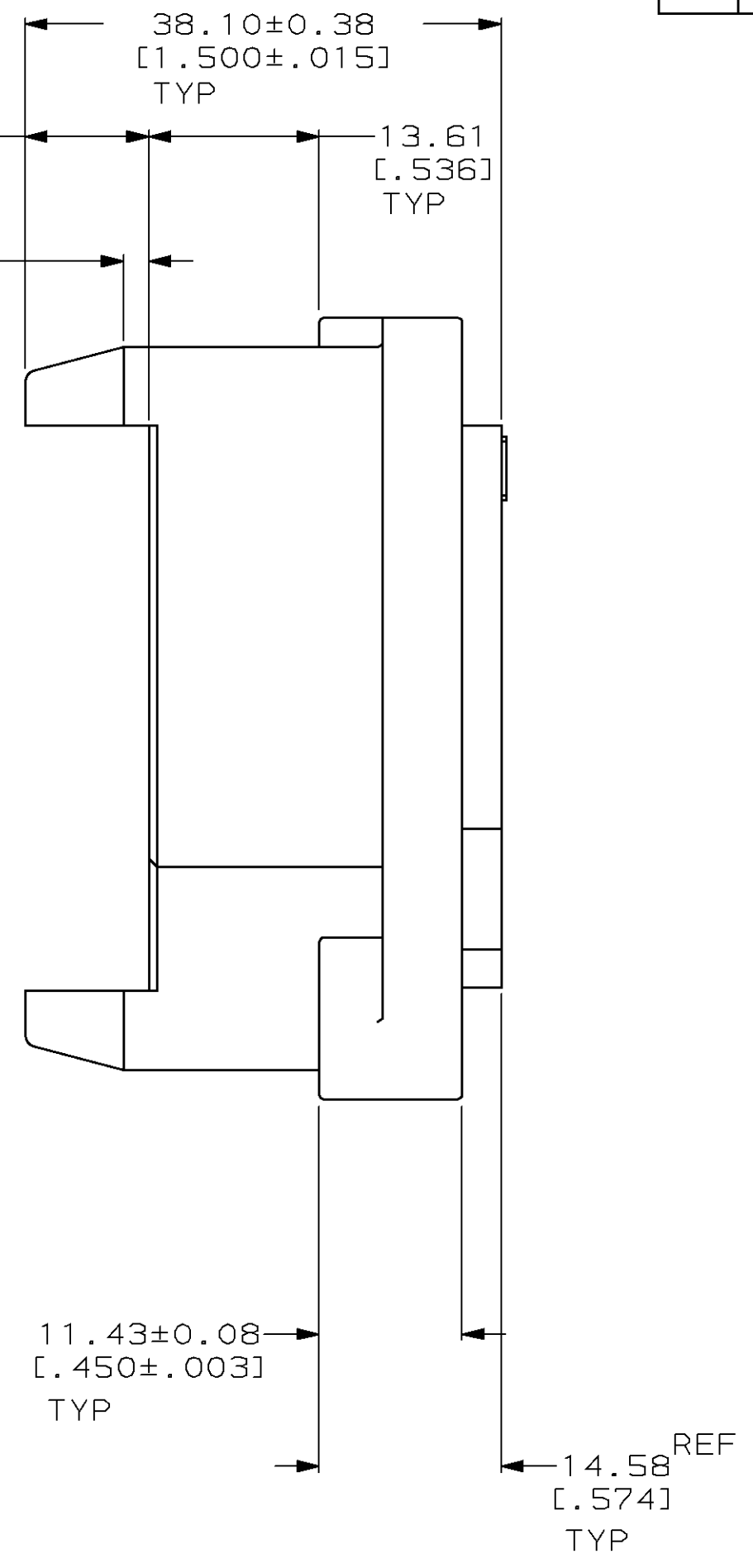
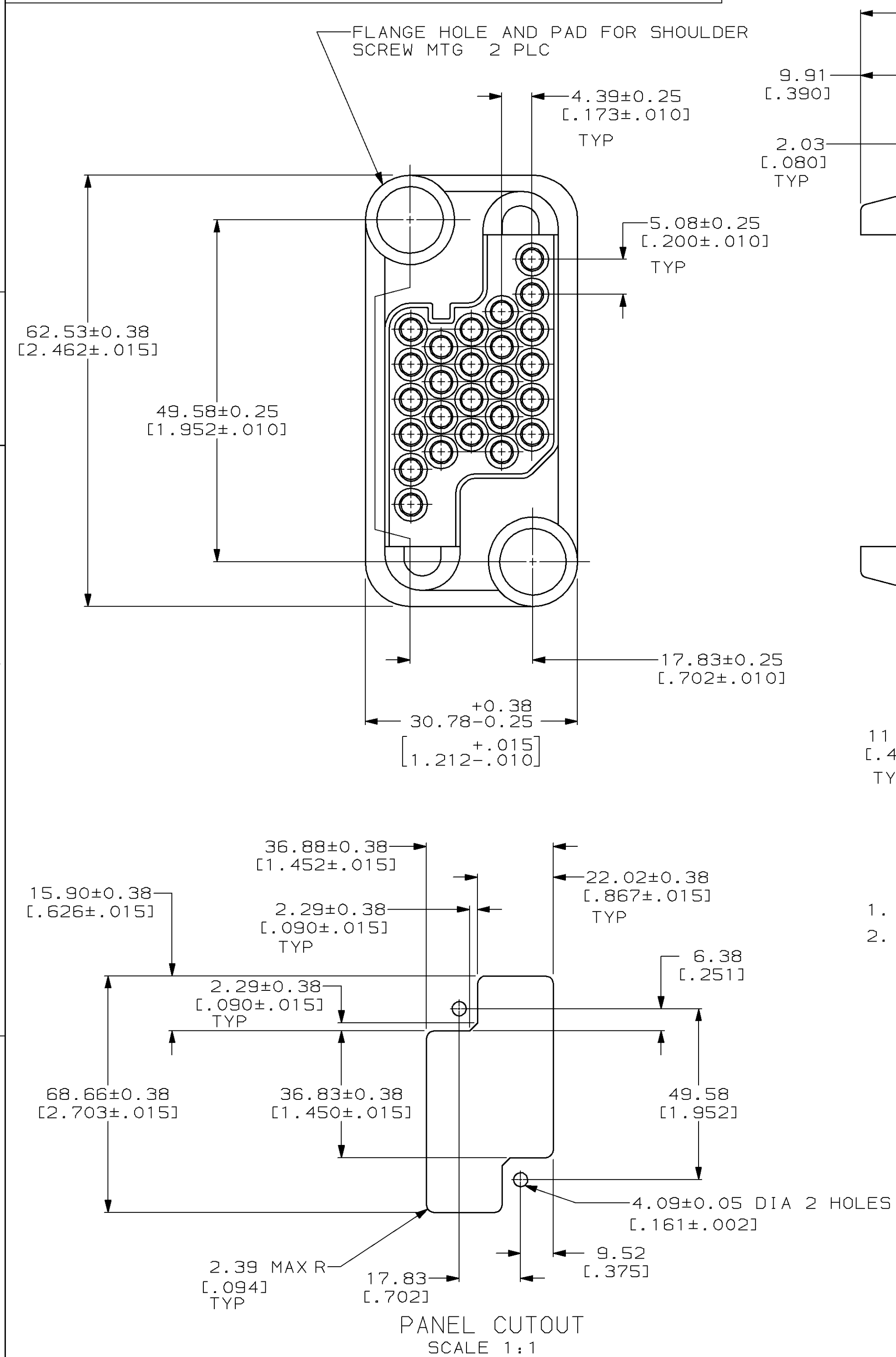


LOC	DIST	P	F	ZONE	LTR	DESCRIPTION	DATE	APPD
FT	13				F	REDRAWN & REV PER ECN BD5737	01/14/92	-
					G	REV PER EC 0320-301-97	08 SEP 97	MM



1. THIS CONNECTOR MATES WITH PIN HOUSING 211149.
2. FOR MOUNTING SCREW INFORMATION SEE DRAWING 208211.

211150-1
PART NO
PART NO

DO NOT SCALE PRINT. UNLESS SPECIFIED DIMENSIONS IN mm [INCHES] TOLERANCES ON : 2 PLC DEC ± 0.13 [.005] 3 PLC DEC ± - ANGLES ± -	DR 01/14/92 C.OBERMAN	AMP Incorporated Harrisburg, PA 17105-3608
	CHK 1-22-92 R.STONE	
MATERIAL POLYESTER, UL 94V-0 RATED, BLACK	APPD 1-22-92 A.TRAVIS	NAME SOCKET HOUSING, 25 POSN METRIMATE
FINISH -	APPD 1-23-92 C.ROHDE	SIZE C
	APPLICATION SPEC -	CAGE CODE 00779
	WEIGHT -	DRAWING NO 211150
		SCALE 2:1
		SHEET 1 OF 1