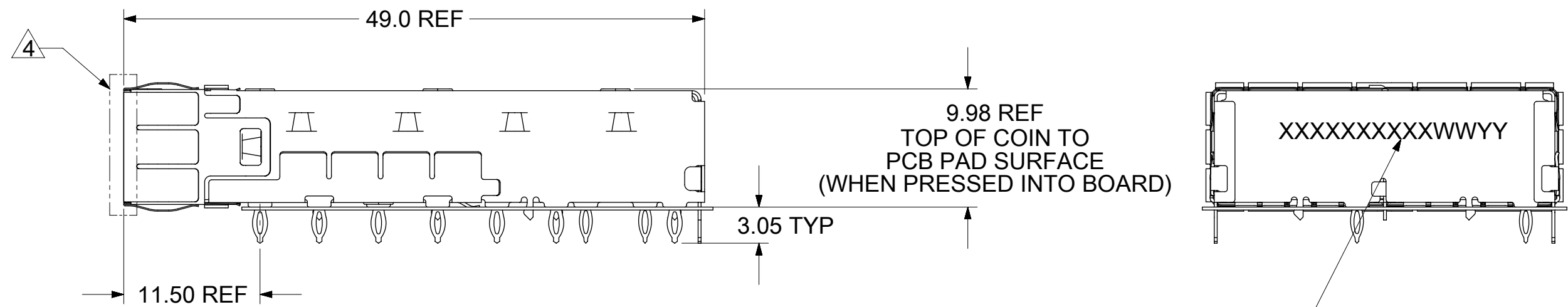
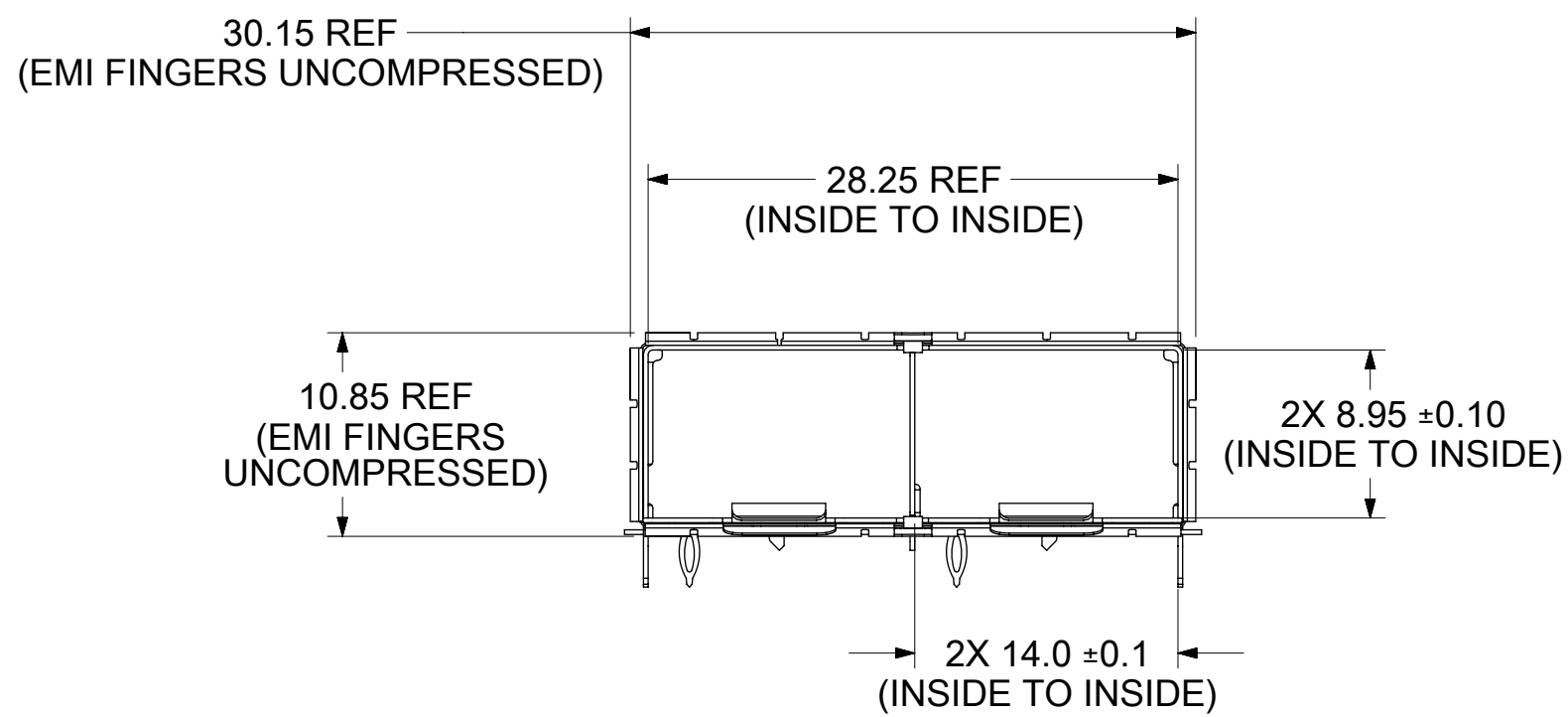
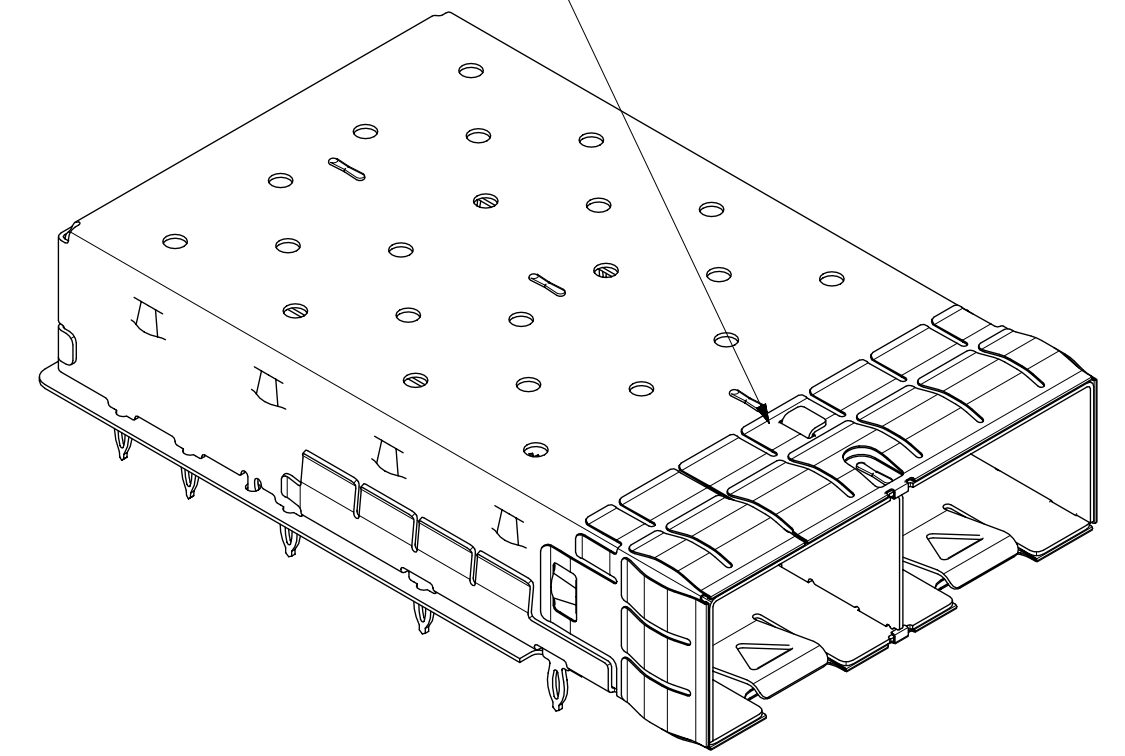


INNER WALL IS COINED OVER BASE AND COVER FOR EXTRA RIGIDITY



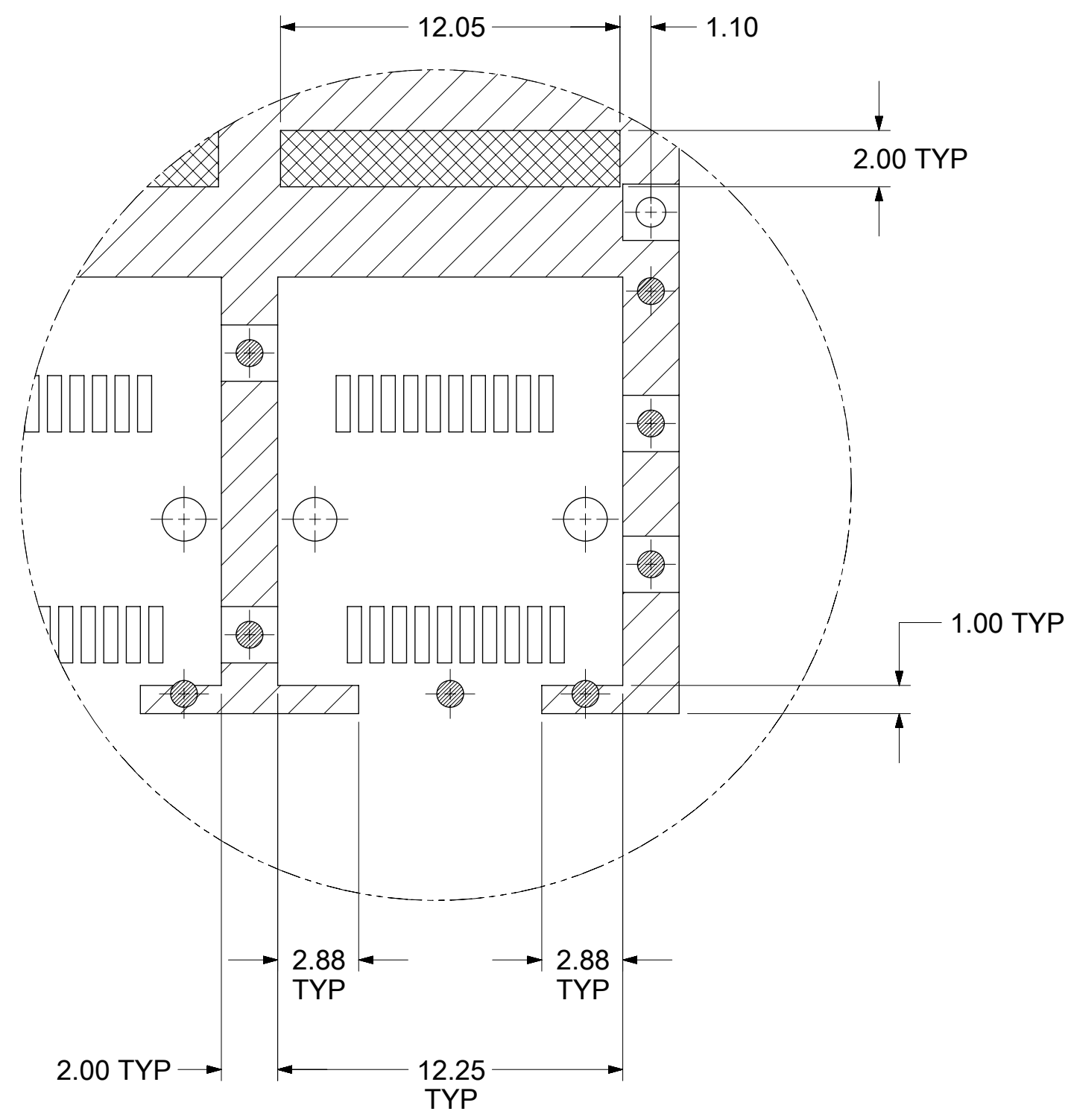
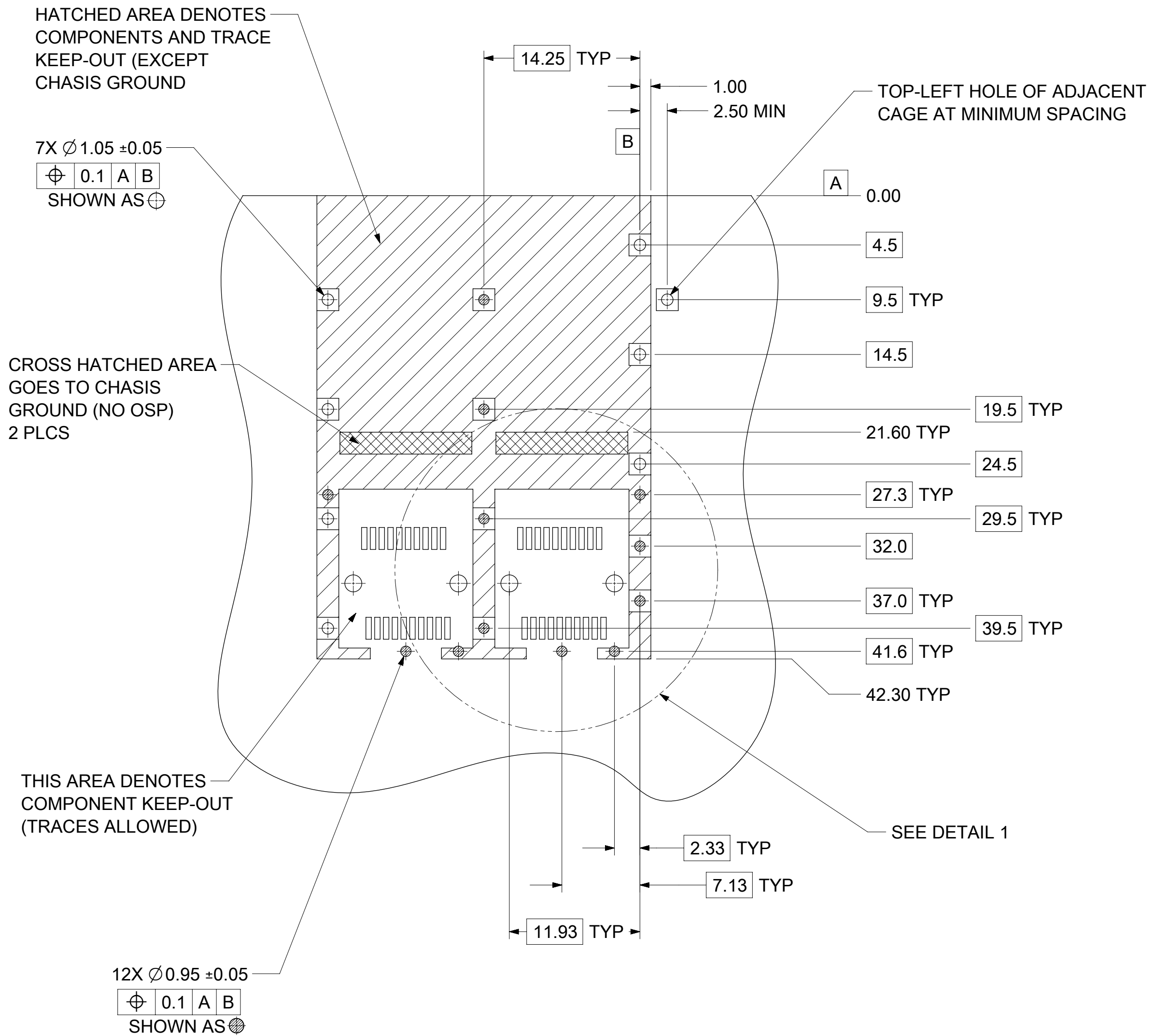
PN/DATE CODE TO BE PRINTED ON THE BACK OF COMPLETED CAGE ASSEMBLY APPROXIMATELY AS SHOWN.

- NOTES:
- MATERIAL:
CAGE: 0.25mm THICK COPPER ALLOY, NICKEL PLATED.
SPRING FINGERS: STAINLESS STEEL
 - PRESS FIT LEGS 3.05mm LONG
 - PORTS ARE DESIGNED FOR SFP+ TRANSCEIVERS AND ARE COMPATIBLE WITH SFP TRANSCEIVERS. THE TOP SURFACE OF THE MODULE MUST BE FLAT (NO PRODUCT LABEL RECESS) AND THERMALLY CONDUCTIVE TO FUNCTION OPTIMALLY.
 - WELD SPOT MAY SHOW SLIGHT MATERIAL DISCOLORATION.
 - NO RoHS EXEMPTIONS.

WEEK/YEAR DATE CODE TABLE	
WW	WEEK OF THE YEAR 01 THRU 52 (EXAMPLE:01= FIRST WEEK OF YEAR 52=LAST WEEK OF YEAR)
YY	22, 23, 24 ETC. EXAMPLE: YEAR 2022 = 22

FUNCTIONAL SYMBOLS $\nabla_A = 0$ $\nabla_C = 0$ $\nabla_P = 0$	THIS DRAWING CONTAINS INFORMATION THAT IS PROPRIETARY TO MOLEX ELECTRONIC TECHNOLOGIES, LLC AND SHOULD NOT BE USED WITHOUT WRITTEN PERMISSION	CURRENT REV DESC: SEE REVISION TABLE					
	DIMENSION UNITS: mm	SCALE: 2.5:1	EC NO: 707505		ZSFP+ 1X2 CAGE, 3.05 MM PRESS FIT, HEAT SINK, SUS EMI SPRING FINGERS AND UNDER BELLY GASKET		
	GENERAL TOLERANCES (UNLESS SPECIFIED)		DRWN: SKRISHNAMURT 2022/04/07				
	ANGULAR TOL ± 1.0°		CHK'D: TKUMARKC 2022/05/20		APPR: SCHIEN 2022/05/20		
DIVISIONAL SYMBOLS 4 PLACES ± 3 PLACES ± 2 PLACES ± 0.13 1 PLACE ± 0.25 0 PLACES ±	INITIAL REVISION:		PRODUCT CUSTOMER DRAWING				
	DRWN: SKRISHNAMURT 2022/04/07		DOCUMENT NUMBER	DOC TYPE	DOC PART	REVISION	
	APPR: SCHIEN 2022/05/20		1001138220	PSD	ASY	A	
DRAFT WHERE APPLICABLE MUST REMAIN WITHIN DIMENSIONS		THIRD ANGLE PROJECTION	DRAWING	SERIES	MATERIAL NUMBER	CUSTOMER	SHEET NUMBER
			C-SIZE	100113	1001138220		1 OF 5

PCB LAYOUT - SINGLE SIDE ONLY

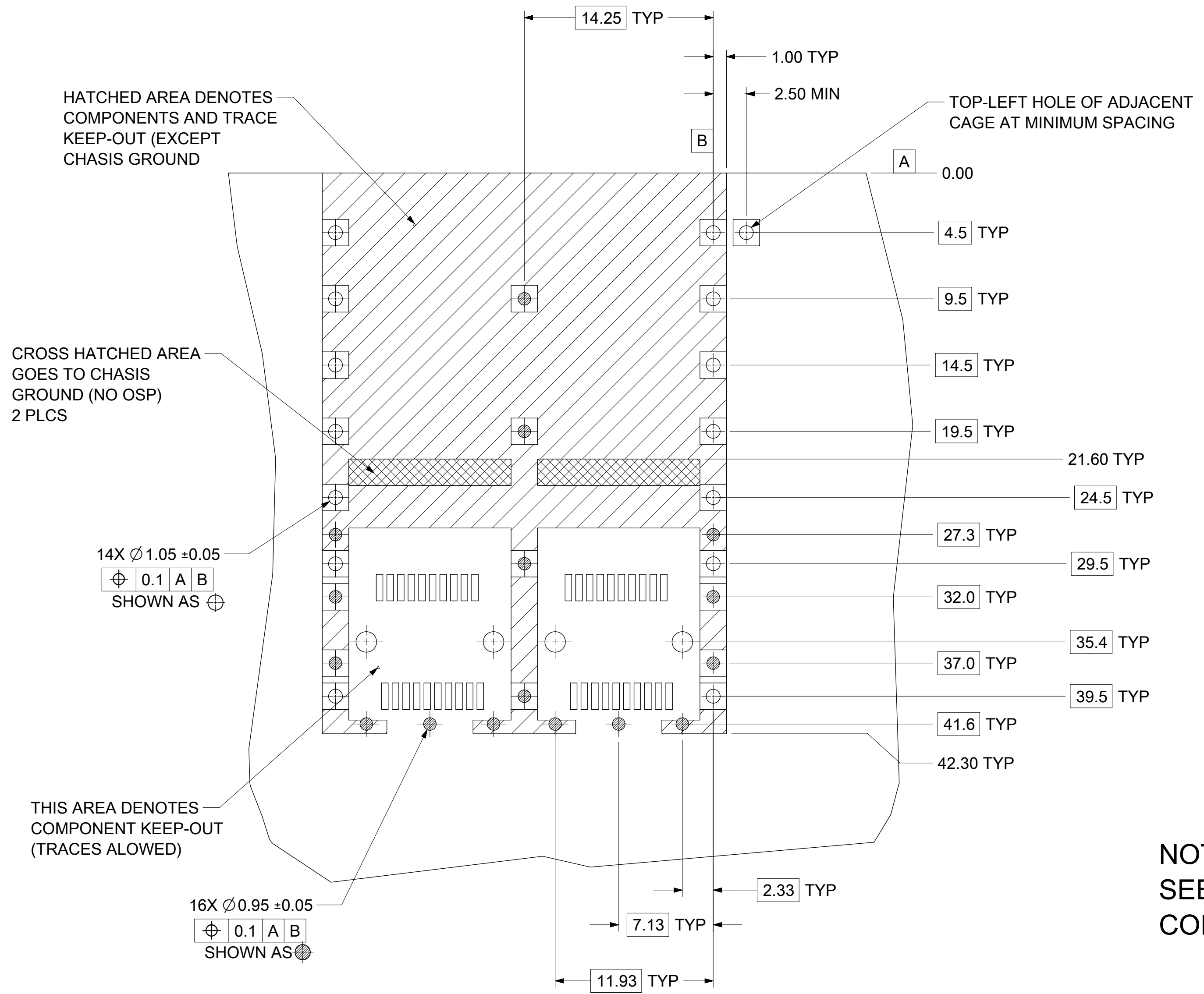


DETAIL 1
SCALE 5:1

- NOTES:**
- PADS AND VIAS CONNECT TO CHASSIS GROUND
RECOMMEND PADS TO BE 2.00mm SQUARE
 - RECOMMENDED THRU HOLE PLATING INCLUDES HASL, OSP, OR IMMERSION (GOLD, SILVER, OR TIN)
 - CONNECTOR PAD LAYOUT PER SFP+ MSA WILL ACCOMODATE MOLEX CONNECTOR SERIES 170382 OR EQUIVALENT
 - SPACING BETWEEN PORTS IS 14.25mm
 - 1.57mm MINIMUM PCB THICKNESS FOR SINGLE SIDED USE.

FUNCTIONAL SYMBOLS	THIS DRAWING CONTAINS INFORMATION THAT IS PROPRIETARY TO MOLEX ELECTRONIC TECHNOLOGIES, LLC AND SHOULD NOT BE USED WITHOUT WRITTEN PERMISSION		CURRENT REV DESC: SEE REVISION TABLE		
	DIMENSION UNITS	SCALE			
$\overline{A} = 0$	mm	1:1			ZSFP+ 1X2 CAGE, 3.05 MM PRESS FIT, HEAT SINK, SUS EMI SPRING FINGERS AND UNDER BELLY GASKET
$\overline{C} = 0$	GENERAL TOLERANCES (UNLESS SPECIFIED)				
$\overline{P} = 0$	ANGULAR TOL ± 1.0°				PRODUCT CUSTOMER DRAWING
DIVISIONAL SYMBOLS	4 PLACES	±	EC NO: 707505		
	3 PLACES	±	DRWN: SKRISHNAMURT	2022/04/07	
	2 PLACES	± 0.13	CHK'D: TKUMARKC	2022/05/20	
	1 PLACE	± 0.25	APPR: SCHIEN	2022/05/20	
	0 PLACES	±	INITIAL REVISION:		
	DRAFT WHERE APPLICABLE MUST REMAIN WITHIN DIMENSIONS		DRWN: SKRISHNAMURT	2022/04/07	
	THIRD ANGLE PROJECTION		APPR: SCHIEN	2022/05/20	
	DRAWING SERIES		100113		
	MATERIAL NUMBER		1001138220		
	CUSTOMER				
	SHEET NUMBER		2 OF 5		

PCB LAYOUT FOR BELLY TO BELLY MOUNTING



HATCHED AREA DENOTES COMPONENTS AND TRACE KEEP-OUT (EXCEPT CHASSIS GROUND)

CROSS HATCHED AREA GOES TO CHASSIS GROUND (NO OSP) 2 PLCS

14X Ø1.05 ±0.05
 0.1 A B
 SHOWN AS ⊕

THIS AREA DENOTES COMPONENT KEEP-OUT (TRACES ALLOWED)

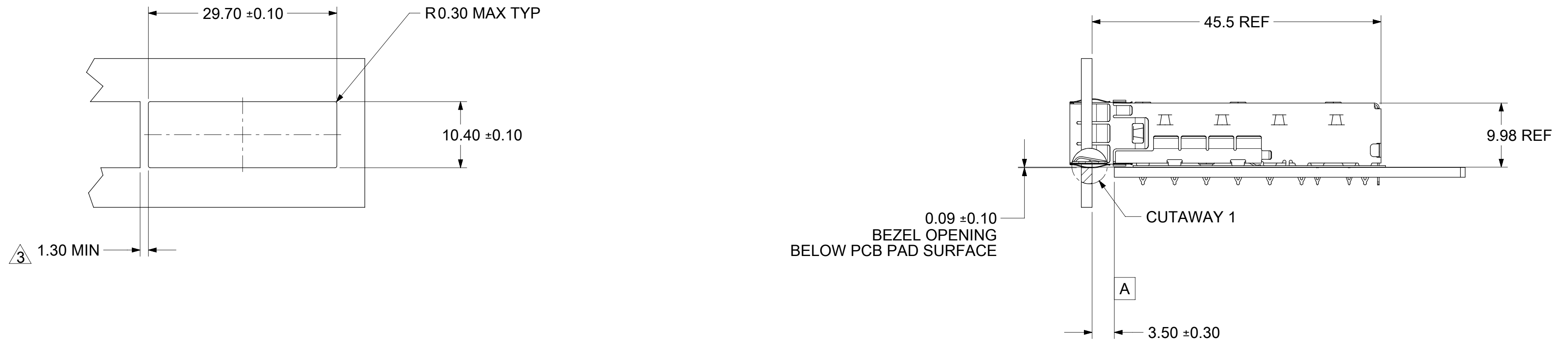
16X Ø0.95 ±0.05
 0.1 A B
 SHOWN AS ⊙

NOTE:
 SEE SHEET 2 FOR HOST CONNECTOR DETAIL

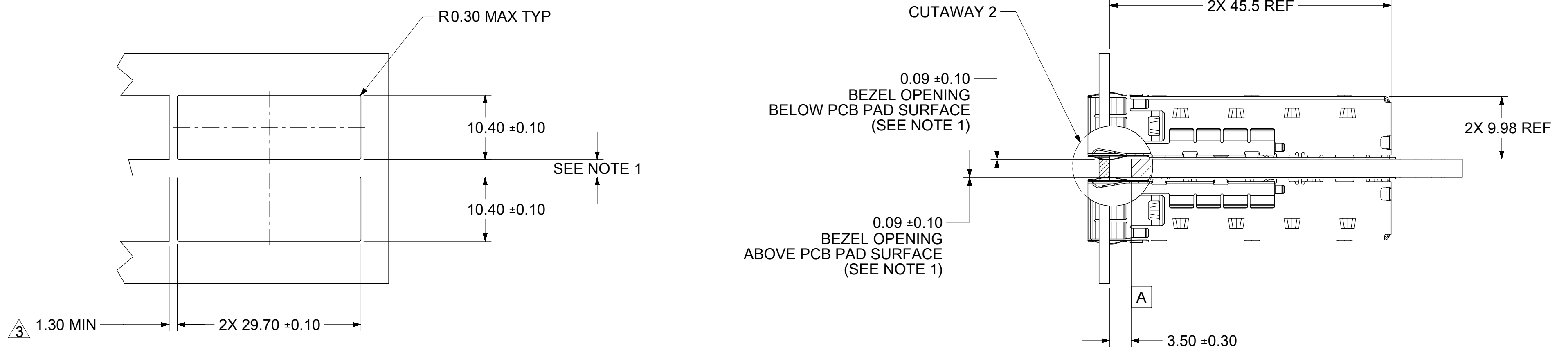
- NOTES:**
- PADS AND VIAS CONNECT TO CHASSIS GROUND
 RECOMMEND PADS TO BE 2.00mm SQUARE
 - RECOMMENDED THRU HOLE PLATING INCLUDES HASL, OSP, OR IMMERSION (GOLD, SILVER, OR TIN)
 - CONNECTOR PAD LAYOUT PER SFP+ MSA WILL ACCOMODATE MOLEX CONNECTOR SERIES 170382 OR EQUIVALENT
 - SPACING BETWEEN PORTS IS 14.25mm
 - 3.00mm MINIMUM PCB THICKNESS FOR BELLY TO BELLY USE.

FUNCTIONAL SYMBOLS	THIS DRAWING CONTAINS INFORMATION THAT IS PROPRIETARY TO MOLEX ELECTRONIC TECHNOLOGIES, LLC AND SHOULD NOT BE USED WITHOUT WRITTEN PERMISSION		CURRENT REV DESC: SEE REVISION TABLE		
	DIMENSION UNITS	SCALE			
FA = 0	mm	4:1			ZSFP+ 1X2 CAGE, 3.05 MM PRESS FIT, HEAT SINK, SUS EMI SPRING FINGERS AND UNDER BELLY GASKET
FC = 0	GENERAL TOLERANCES (UNLESS SPECIFIED)				
FP = 0	ANGULAR TOL ± 1.0°				PRODUCT CUSTOMER DRAWING
DIVISIONAL SYMBOLS	4 PLACES	±	EC NO: 707505		
	3 PLACES	±	DRWN: SKRISHNAMURT	2022/04/07	
	2 PLACES	± 0.13	CHK'D: TKUMARKC	2022/05/20	
	1 PLACE	± 0.25	APPR: SCHIEN	2022/05/20	
0 PLACES	±	INITIAL REVISION:			
DRAFT WHERE APPLICABLE MUST REMAIN WITHIN DIMENSIONS		THIRD ANGLE PROJECTION	DRAWING	SERIES	DOCUMENT NUMBER
			C-SIZE	100113	1001138220
					DOC TYPE
					PSD
					DOC PART
					ASY
					REVISION
					A
					MATERIAL NUMBER
					1001138220
					CUSTOMER
					SHEET NUMBER
					3 OF 5

BEZEL AND BOARD POSITION DIMENSIONS FOR SINGLE SIDE MOUNTING (SPRING FINGER)



BEZEL AND BOARD POSITION DIMENSIONS FOR BELLY TO BELLY MOUNTING (SPRING FINGER)



- NOTE:**
1. PCB THICKNESS VARIATION MUST BE CONSIDERED WHEN DETERMINING BEZEL OPENING SIZE AND LOCATION.
 2. CAGE LEG STANDOFF WILL PIERCE BELLY GASKET WHEN PROPERLY PRESSED INTO PCB.
 3. THIS DIMENSION IS FOR REF ONLY. USER CAN MODIFY IT DEPENDS ON APPLICATION. HOLE OF ADJACENT CAGE ON PCB LAYOUT VARIES ON MODIFICATION.

FUNCTIONAL SYMBOLS	THIS DRAWING CONTAINS INFORMATION THAT IS PROPRIETARY TO MOLEX ELECTRONIC TECHNOLOGIES, LLC AND SHOULD NOT BE USED WITHOUT WRITTEN PERMISSION										
$\frac{E}{A} = 0$	DIMENSION UNITS	SCALE	CURRENT REV DESC: SEE REVISION TABLE							molex	
$\frac{E}{C} = 0$	mm	2:1									
$\frac{E}{P} = 0$	GENERAL TOLERANCES (UNLESS SPECIFIED)		EC NO: 707505							ZSFP+ 1X2 CAGE, 3.05 MM PRESS FIT, HEAT SINK, SUS EMI SPRING FINGERS AND UNDER BELLY GASKET	
	ANGULAR TOL ± 1.0°		DRWN: SKRISHNAMURT 2022/04/07								
DIVISIONAL SYMBOLS	4 PLACES ±		CHK'D: TKUMARKC 2022/05/20							PRODUCT CUSTOMER DRAWING	
	3 PLACES ±		APPR: SCHIEN 2022/05/20								
	2 PLACES ± 0.13		INITIAL REVISION:							DOCUMENT NUMBER 1001138220	
	1 PLACE ± 0.25		DRWN: SKRISHNAMURT 2022/04/07								
	0 PLACES ±		APPR: SCHIEN 2022/05/20							DOC TYPE PSD ASY A	
	DRAFT WHERE APPLICABLE MUST REMAIN WITHIN DIMENSIONS		THIRD ANGLE PROJECTION		DRAWING		SERIES		MATERIAL NUMBER		
			C-SIZE		100113		CUSTOMER		SHEET NUMBER		
							1001138220		4 OF 5		

REV	DATE	DESCRIPTION
A	2022/05/20	INITIAL RELEASE

FUNCTIONAL SYMBOLS = 0 = 0 = 0 DIVISIONAL SYMBOLS 3 PLACES ± 2 PLACES ± 0.13 1 PLACE ± 0.25 0 PLACES ± DRAFT WHERE APPLICABLE MUST REMAIN WITHIN DIMENSIONS	THIS DRAWING CONTAINS INFORMATION THAT IS PROPRIETARY TO MOLEX ELECTRONIC TECHNOLOGIES, LLC AND SHOULD NOT BE USED WITHOUT WRITTEN PERMISSION DIMENSION UNITS: mm SCALE: 1:1		CURRENT REV DESC: SEE REVISION TABLE EC NO: 707505 DRWN: SKRISHNAMURT 2022/04/07 CHK'D: TKUMARKC 2022/05/20 APPR: SCHIEN 2022/05/20		 ZSFP+ 1X2 CAGE, 3.05 MM PRESS FIT, HEAT SINK, SUS EMI SPRING FINGERS AND UNDER BELLY GASKET		
	GENERAL TOLERANCES (UNLESS SPECIFIED) ANGULAR TOL ± 1.0°		INITIAL REVISION: DRWN: SKRISHNAMURT 2022/04/07 APPR: SCHIEN 2022/05/20				
THIRD ANGLE PROJECTION 		DRAWING: C-SIZE	SERIES: 100113	MATERIAL NUMBER: 1001138220	CUSTOMER:	SHEET NUMBER: 5 OF 5	