



**Handle Series FG15**

**Material and surface:**  
Handle shanks and handle ledge made of stainless steel 1.4305. Surface vibration ground, blasted and electro-polished with a semi-gloss finish. Push button made of stainless steel.

**Type A:**  
With curved handle ledge and one shank.

**Type B:**  
With straight handle ledge and 2 shanks.

**Function elements:**  
One push button, as a change-over contact.

**Connection:**  
5 m connection cable leading out of the screw-on surface of the handle shank.

**Protection class:**  
IP 65.

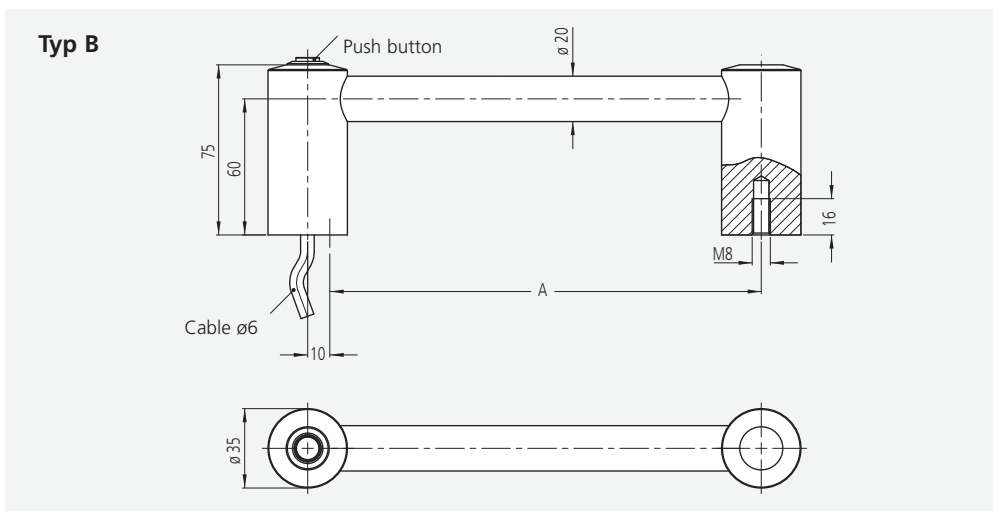
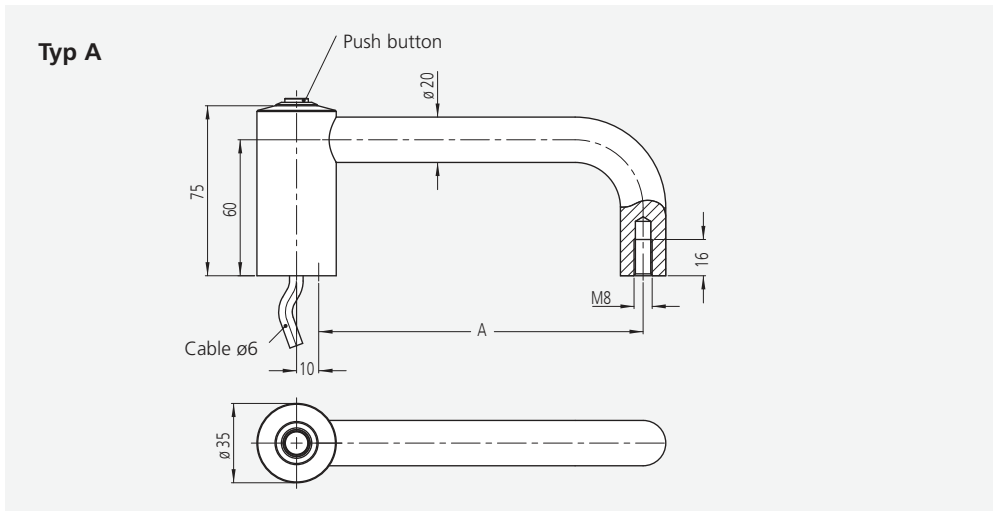
**Note:**  
Other handle lengths and push button assignments possible. Opposite handle without electrical function by request.

**Connection**



	<b>Typ A</b>	<b>Typ B</b>
	Ledge curved	Ledge straight
A*	Order no.	Order no.
150	FG15-A01.150.36	-
180	-	FG15-B01.180.36

\* Other handle lengths on request



**Technical data**

<p><b>Push button</b> (change-over contact)</p>	
<p><b>Push button</b></p>	<p>24 V AC/DC max. 1 A</p>
<p><b>Operating voltage LED</b></p>	<p>24 V DC (12 V DC optional)</p>
<p><b>Connection type</b></p>	<p>cable 8-pole</p>
<p><b>Mounting cutout</b></p>	

All dimensions in mm.