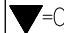
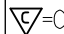


MATERIALS AND FINISHES

SEE SD-73391-0060

P/N: 73251-3140: THIS IS P/N: 73391-0060 PLACED IN A SINGLE BAG

CHG: NEW RELEASE  
 EC NO: URF2007-0287  
 DRW: TELAHERTY 2007/02/08  
 CHKD: SHAH 2007/02/08  
 APPR: WIENER 2007/02/08

QUALITY SYMBOLS  
 = 0  
 = 0

GENERAL TOLERANCES (UNLESS SPECIFIED)

	mm	INCH
4 PLACES	± .---	± .---
3 PLACES	± .---	± .---
2 PLACES	± .---	± .---
1 PLACE	± .---	± .---
ANGULAR ± .---°		

DRAFT WHERE APPLICABLE  
 MUST REMAIN  
 WITHIN DIMENSIONS

DIMENSION STYLE  
**MM/IN**


DRAWN BY	DATE
TEF	2007/01/24
CHECKED BY	DATE
SSS	2007/01/24
APPROVED BY	DATE
JDW	2007/01/24

MATERIAL NO.  
**732513140**

SCALE  
 DESIGN UNITS  
**METRIC**

THIRD ANGLE PROJECTION

TITLE  
**SMA JACK, VERTICAL PCB  
 SMA-J/PCB**

 **MOLEX INCORPORATED**

DOCUMENT NO.  
**SD-73251-314**

SHEET NO.  
**1 OF 1**

THIS DRAWING CONTAINS INFORMATION THAT IS PROPRIETARY TO MOLEX INCORPORATED AND SHOULD NOT BE USED WITHOUT WRITTEN PERMISSION

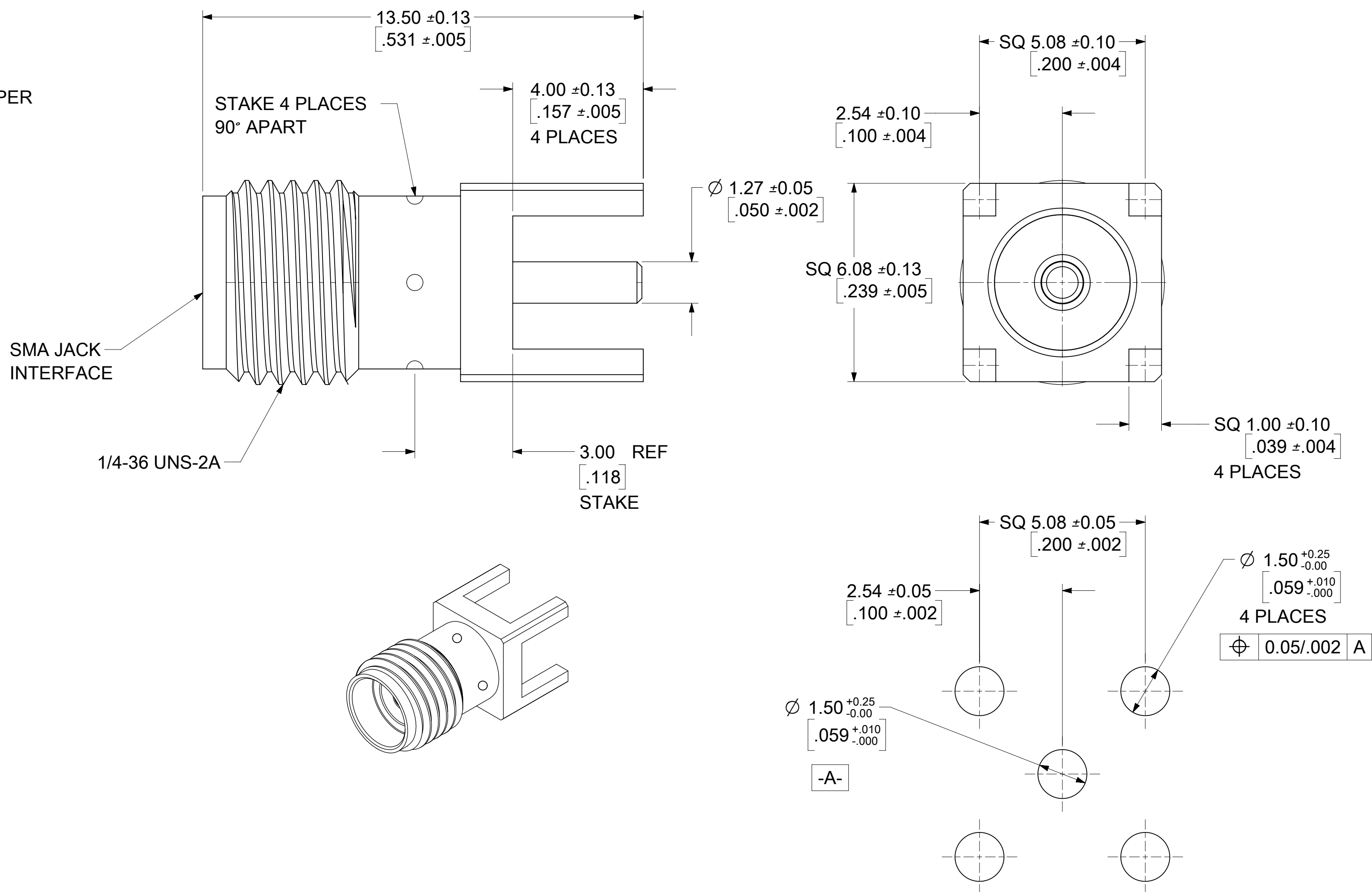
MATERIALS AND FINISHES

BODY BRASS  
PLATED GOLD

CENTER CONTACT BERYLLIUM COPPER  
PLATED GOLD

INSULATOR TEFLON

WILL WITHSTAND REFLOW  
TEMPERATURE OF  
265°C ± 5°C



73251-3141	73391-0060 BY TRAY 20 CAVITIES
73251-3140	73391-0060 SINGLE BAG
73391-0060	BY TRAY 80 CAVITIES
PART NO.	DESCRIPTION

PS-89675-3460	ELEC/MECH PERFORMANCE
SPECIFICATION	DESCRIPTION

RECOMMENDED PCB CONFIGURATION

FUNCTIONAL SYMBOLS	THIS DRAWING CONTAINS INFORMATION THAT IS PROPRIETARY TO MOLEX ELECTRONIC TECHNOLOGIES, LLC AND SHOULD NOT BE USED WITHOUT WRITTEN PERMISSION		
FA = 0	DIMENSION UNITS	SCALE	CURRENT REV DESC: EWR-14025-A ADD STAKE 4 PLACES AND 3.00 REF DIMENSION
FC = 0	HYBRID	1:1	
FP = 0	GENERAL TOLERANCES (UNLESS SPECIFIED)		
	ANGULAR TOL ± 2.0°		
DIVISIONAL SYMBOLS	4 PLACES ±	EC NO: 645031	
	3 PLACES ±	DRWN: JSU18	2020/09/08
	2 PLACES ±	CHK'D: YCHENG	2020/09/10
	1 PLACE ±	APPR: YCHENG	2020/09/10
	0 PLACES ±	INITIAL REVISION:	
		DRWN: TFLAHERTY	2007/02/08
		APPR: GHUBBARD	1993/02/08
	DRAFT WHERE APPLICABLE MUST REMAIN WITHIN DIMENSIONS	THIRD ANGLE PROJECTION	DRAWING SERIES
		C-SIZE	73391
		MATERIAL NUMBER	CUSTOMER
		SD-73391-0060	GENERAL MARKET
		DOC TYPE	DOC PART
		PSD	001
		DOC PART	REVISION
		C8	
		SHEET NUMBER	
		1 OF 2	

**molex**

SMA JACK STR  
PCB TH SMA-J/PCB

PRODUCT CUSTOMER DRAWING

DOCUMENT NUMBER

SD-73391-0060

DOC TYPE

PSD

DOC PART

001

REVISION

C8

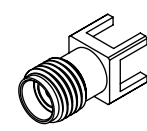
MATERIAL NUMBER

CUSTOMER

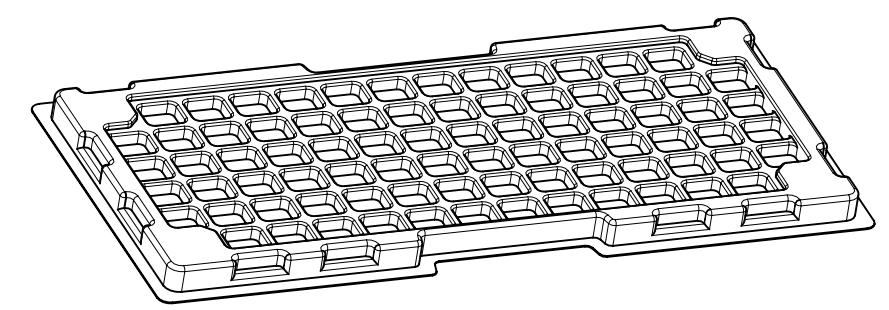
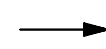
GENERAL MARKET

SHEET NUMBER

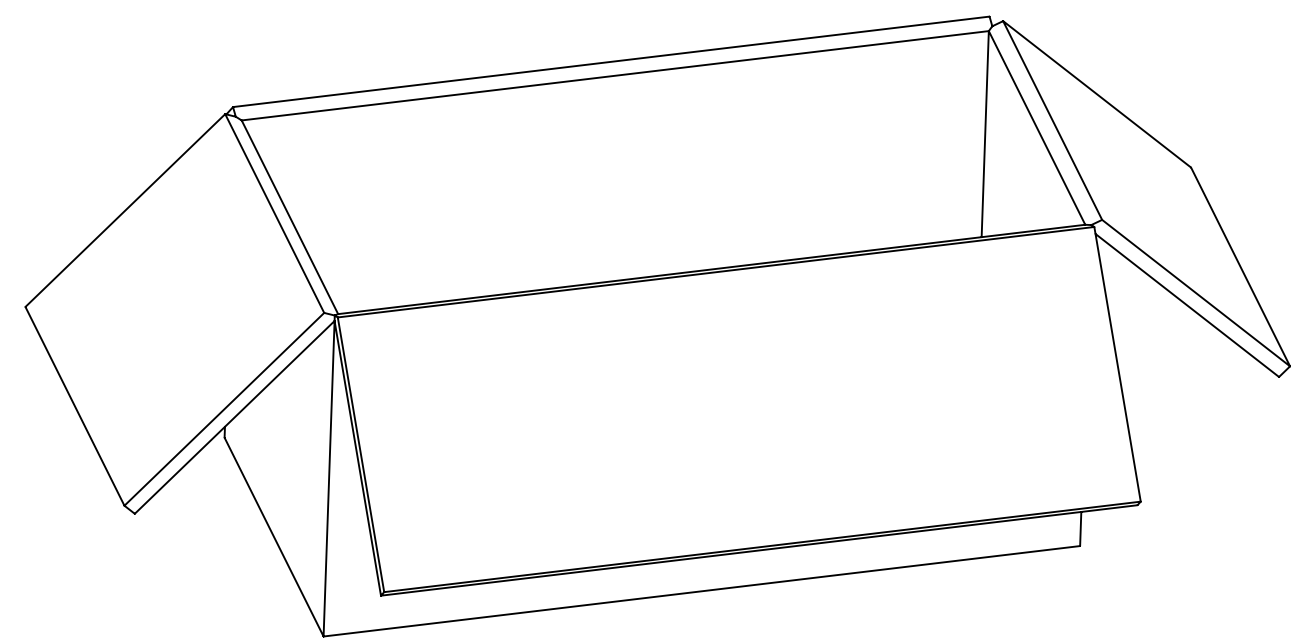
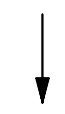
1 OF 2



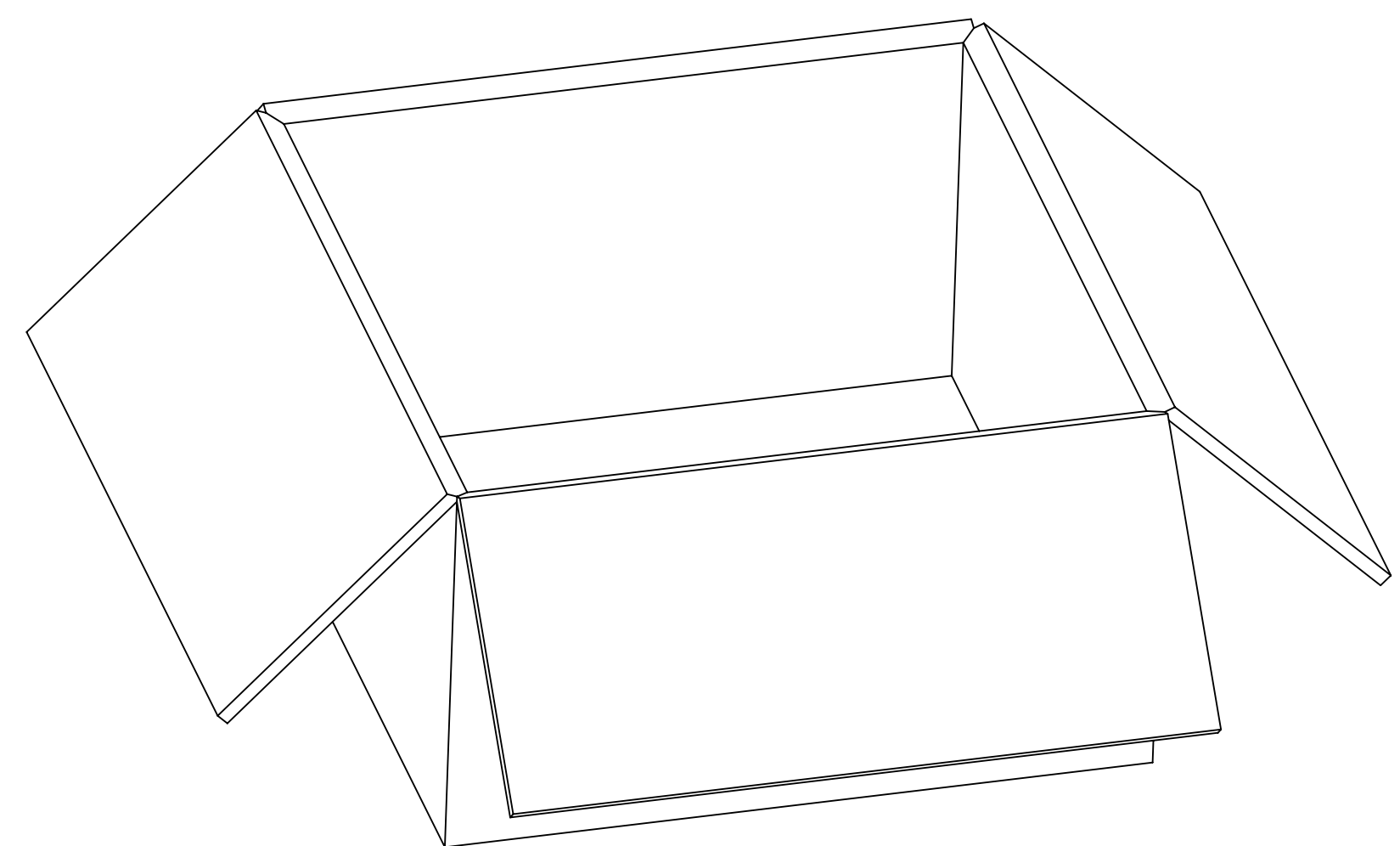
P/N: 73391-0060



80 SETS PER TRAY  
P/N: 89707-0190



1600 SETS PER INNER  
CARTON BOX  
P/N: 96707-0001



3200 SETS PER OUTER  
CARTON BOX  
P/N: 96708-0005

THIS DRAWING CONTAINS INFORMATION THAT IS PROPRIETARY TO MOLEX ELECTRONIC TECHNOLOGIES, LLC AND SHOULD NOT BE USED WITHOUT WRITTEN PERMISSION										
FUNCTIONAL SYMBOLS	DIMENSION UNITS	SCALE	CURRENT REV DESC: EWR-14025-A ADD STAKE 4 PLACES AND 3.00 REF DIMENSION							
$\nabla_A = 0$	HYBRID	1:5	EC NO: 645031 DRWN: JSU18 2020/09/08 CHK'D: YCHENG 2020/09/10 APPR: YCHENG 2020/09/10 INITIAL REVISION: DRWN: TFLAHERTY 2007/02/08 APPR: GHUBBARD 1993/02/08							
$\nabla_C = 0$	GENERAL TOLERANCES (UNLESS SPECIFIED)									
$\nabla_P = 0$	ANGULAR TOL $\pm 2.0^\circ$									
DIVISIONAL SYMBOLS	4 PLACES	$\pm$	PRODUCT CUSTOMER DRAWING				DOCUMENT NUMBER	DOC TYPE	DOC PART	REVISION
	3 PLACES	$\pm$	SD-73391-0060				PSD	001	C8	
	2 PLACES	$\pm$	MATERIAL NUMBER				CUSTOMER	SHEET NUMBER		
	1 PLACE	$\pm$	C-SIZE				GENERAL MARKET	2 OF 2		
	0 PLACES	$\pm$	73391							
DRAFT WHERE APPLICABLE MUST REMAIN WITHIN DIMENSIONS		THIRD ANGLE PROJECTION	DRAWING	SERIES						
			C-SIZE	73391						