

CP1W-EIP01-US

CP1 EtherNet/IP Adapter

Low Cost EtherNet/IP Slave Adapter for CP1 Series Micro PLCs

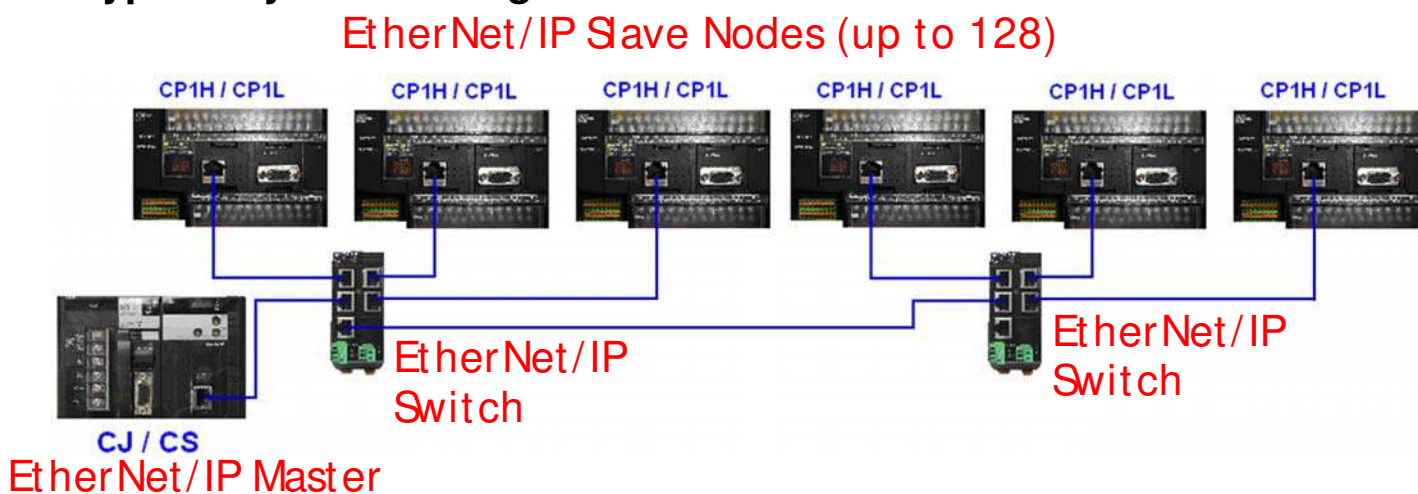
The CP1W-EIP01-US is a low cost adapter that allows EtherNet/IP communications for the CP1H and CP1L PLCs with an available option board slot. The addition of an EtherNet/IP option board turns the PLC into an Intelligent Slave that easily connects to an EtherNet/IP Master for control & monitoring data.

Key Features and Benefits

- Easy Mounting - The adapter mounts in an unused Option Board Slot of the CP1 PLC
- Slave connections – The CP1W-EIP01-US turns a CP1 PLC into an Intelligent EtherNet/IP Slave that shares information using Data Link (Implicit Messaging). The CP1 must be connected to an EtherNet/IP Master for data sharing.
- Intelligent Slave – Each PLC is a powerful motion controller* (CP1H - 4 Axis, CP1L – 2 Axis) with high speed interrupts, Real Time Clock, IEC61131-3 Programming, PID, Floating Point Math and is expandable with analog or digital I/O. The addition of an EtherNet/IP option board turns the PLC into an Intelligent Slave.
*Transistor models
- ControlLogix & CompactLogix Connect – Easily connect Rockwell EtherNet/IP Master to the CP1 with EtherNet/IP adapter



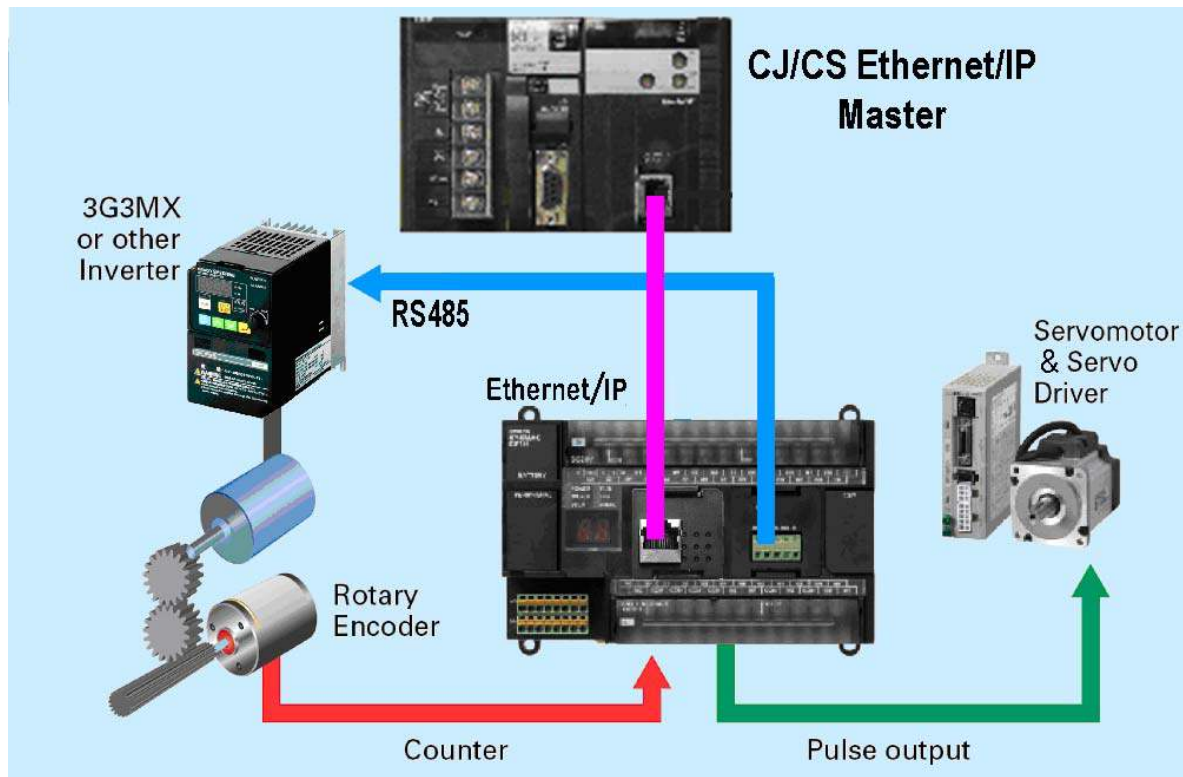
Typical System Configuration



Specification

Part Number	Description
CP1W-EIP01-US	CP1 EtherNet/IP Slave Adapter
Type	100Base-TX (Can be used as 10Base-T)
Applicable PLCs	CP1L-L14, CP1L-L20, CP1L-M30, CP1L-M40, CP1L-M60, CP1H
Transmission Distance	100 m (distance between hub and node)
Number of units mounted	One (either port can be used) (a CP1W-ETN01-US can also be mounted in an open slot)
Communication Method	EtherNet/IP
Max connections per device	One connection (ie: EtherNet/IP Master to EtherNet/IP Slave)
Data Link Set-up	10/50/100 Words - Produced data D1000-D1099, Consumed data D1100-D1199
Current IP Address	D1200, D1201 (D1200=1st & 2nd Octets in Hex, D1201=3rd & 4th Octets in Hex)
Default IP Address	192.168.250.11
Web Page IP Address Set-up	http://192.168.250.11 (Default)
Requested Packet Interval (RPI)	10ms (minimum recommended)

Intelligent EtherNet/IP Slave



In the above example the CP1H PLC communicates to the CJ/CS via EtherNet/IP. The CP1H PLC can control 4 axis of servo motors while also reading 4 high speed encoder inputs. An additional option port can be added for communications to AC Drives, Temperature Controllers, or other devices. Built into the CPU are 24 Digital In, 16 Digital Out and 6 Analog I/O (4 configurable analog inputs & 2 configurable analog outputs). The PLC is expandable up to 320 digital I/O along with 2 CJ Special I/O modules (Analog, Motion, RFID, Network or Communication cards).

Additional literature can be obtained from www.omron247.com.

W450 - CP1H Operation Manual
W451 - CP1L / CP1H Programming Manual
W462 - CP1L Operation Manual
W465 - CJ / CS EtherNet/IP Operation Manual
W472 - CJ2 Hardware Manual
W473 - CJ2 Software Manual
W452 - NSJ Operation Manual
V227 - W4S EtherNet/IP Switch

OMRON

OMRON ELECTRONICS LLC • THE AMERICAS HEADQUARTERS

Schaumburg, IL USA • 847.843.7900 • 800.556.6766 • www.omron247.com

OMRON CANADA, INC. • HEAD OFFICE

Toronto, ON, Canada • 416.286.6465 • 866.986.6766 • www.omron247.com

OMRON ELETRÔNICA DO BRASIL LTDA • HEAD OFFICE

São Paulo, SP, Brasil • 55.11.2101.6300 • www.omron.com.br

OMRON ELECTRONICS MEXICO SA DE CV • HEAD OFFICE

Apodaca, N.L. • 52.811.156.99.10 • 001.800.556.6766 • mela@omron.com

OMRON ARGENTINA • SALES OFFICE

Cono Sur • 54.11.4783.5300

OMRON CHILE • SALES OFFICE

Santiago • 56.9.9917.3920

OTHER OMRON LATIN AMERICA SALES

54.11.4783.5300