

PART NUMBER	REV	FEED TYPE	DESCRIPTION	PROGRAMMED MEMORY CHIP
2150145-1	A	MECHANICAL	FINE CRIMP HEIGHT ADJUST	-
2150145-2	A	PNEUMATIC	FINE CRIMP HEIGHT ADJUST	-
2150145-5	A	SERVO	FINE CRIMP HEIGHT ADJUST	8-2150145-5
2150145-6	A	SERVO	NON-CRIMP HEIGHT ADJUST	8-2150145-6
2150145-7	A	NONE	FINE CRIMP HEIGHT ADJUST	-
7-2150145-7	A	-	SPARE PARTS KIT	-

△ SUPERSEDED BY 2150238-1
 △ SUPERSEDED BY 2150238-2
 △ SUPERSEDED BY 2150238-5
 △ SUPERSEDED BY 2150238-6
 △ SUPERSEDED BY 2150238-7

APPLICATOR DATA		
CRIMP	SIZE	TYPE
WIRE	2.79 (.110 in)	F
INSUL	4.57 (.180 in)	F
APPL INSTRUCTIONS 408-10390		

TERMINAL DATA: TE TERMINAL TE CRIMP SPEC
 TERMINAL NAME: RECEPTACLE, FASTIN-FASTON .250 SERIES

WIRE STRIP LENGTH	INSULATION DIAMETER RANGE
5.40-5.70mm (.213-.223 in)	∅ 2.54-4.31mm (.100-.170 in)

TERMINAL APPL SPEC	114-2025

TERMINALS APPLIED			
42100-1	2-42100-1	140808-3	150603-2
42100-2	2-42100-2	1-140808-1	150604-2
42100-3	140808-1	1-140808-2	152314-1
42100-9	140808-2	150603-1	

WIRE SIZE	CRIMP HEIGHT mm [INCH]	FINE ADJUST REF SETTING
14AWG or 2.5mm ²	1.60±.05 [.063±.002]	3.1
2mm ²	1.57±.05 [.062±.002]	3.6
1.5mm ²	1.42±.05 [.056±.002]	5.1
16AWG or 1mm ²	1.37±.05 [.054±.002]	5.7
18AWG or 0.75mm ²	1.22±.05 [.048±.002]	7.3

- 1 RECOMMENDED SPARE PARTS
- 2 GREASE BEARING SURFACES LIGHTLY
- 3. LUBRICATE DAILY PER THE APPLICATOR INSTRUCTION SHEET SUPPLIED WITH THE APPLICATOR.
- 4 APPLICATOR SPECIFIC DATA TO BE ENTERED INTO BLANK MEMORY CHIP AT ASSEMBLY.
- 5. ADJUSTMENT OF THE STRIPPER MAY BE REQUIRED WHEN MOVING THE APPLICATOR BETWEEN BENCH AND LEADMAKER APPLICATIONS.
- 6. FOR THE PACIFIC VERSION OF THIS APPLICATOR, SEE LOG 2150145-9
- 7 GREASE THREADS, GROOVE AND O-RING ON ITEMS 35 & 252.
- 8 MAGNET MUST BE ORIENTED CORRECTLY IN ORDER TO PROPERLY ACTUATE THE COUNTER.
- 9 APPLY P/N 1-23419-5 LOCTITE TO THREADS.

PART REQUIRED FOR FEED CONVERSIONS		
FEED TYPE TO CONVERT TO	RETROFIT KIT	ADDITIONAL PARTS REQ'D
MECHANICAL	2119949-1	56
PNEUMATIC	2119950-1	56
SERVO	2119951-1	135 AND 240

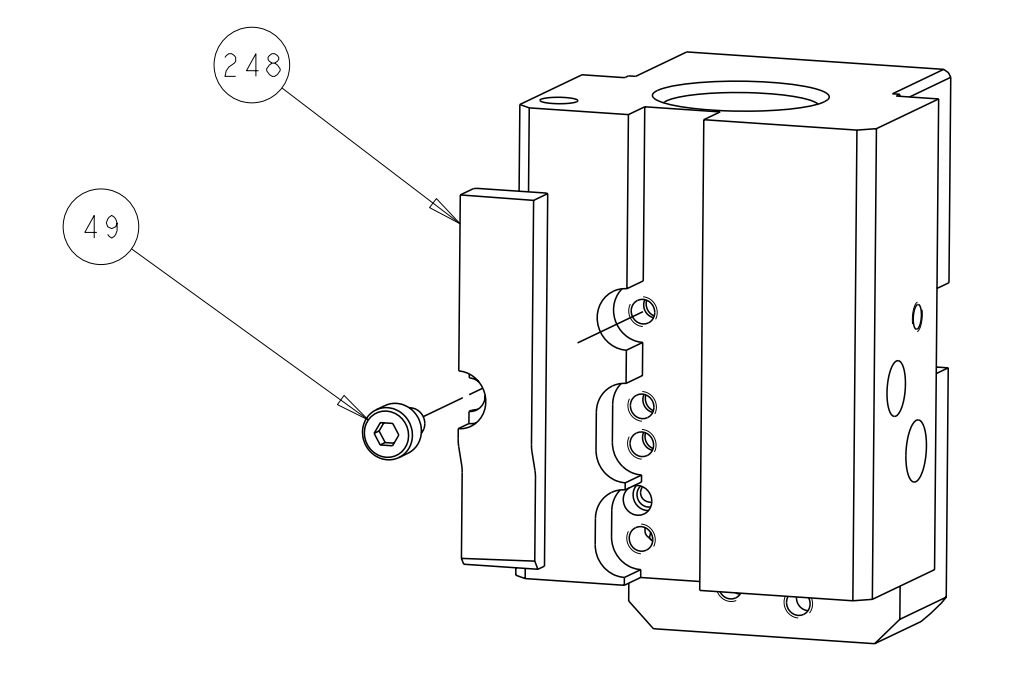
-77	-7	-6	-5	-2	-1	PART NO	DESCRIPTION	ITEM NO
-	1	-	1	1	1	8-21084-0	O-RING, .676 ID, .070 DIA. MAT.	252
-	-	-	-	1	-	2079988-1	BUSHING, LCH5-12, MISUMI	250
-	-	-	-	1	-	2119640-1	PUSH ROD, AIR FEED	249
-	-	-	-	1	-	2119641-1	FEED CAM, AIR FEED	248

SERVO FEED FINGER 1901697-1		SET UP GAUGE 2119599-2		LOC	DIST	REVISIONS			
P	LTB	DESCRIPTION	DATE	OWN	APVD				
1		ORIGINAL	17MAR2011	GH	GB				
A		RELEASED	10JUN2011	LG	TE				
A1		ECR-11-023852	06DEC2011	BW	GB				

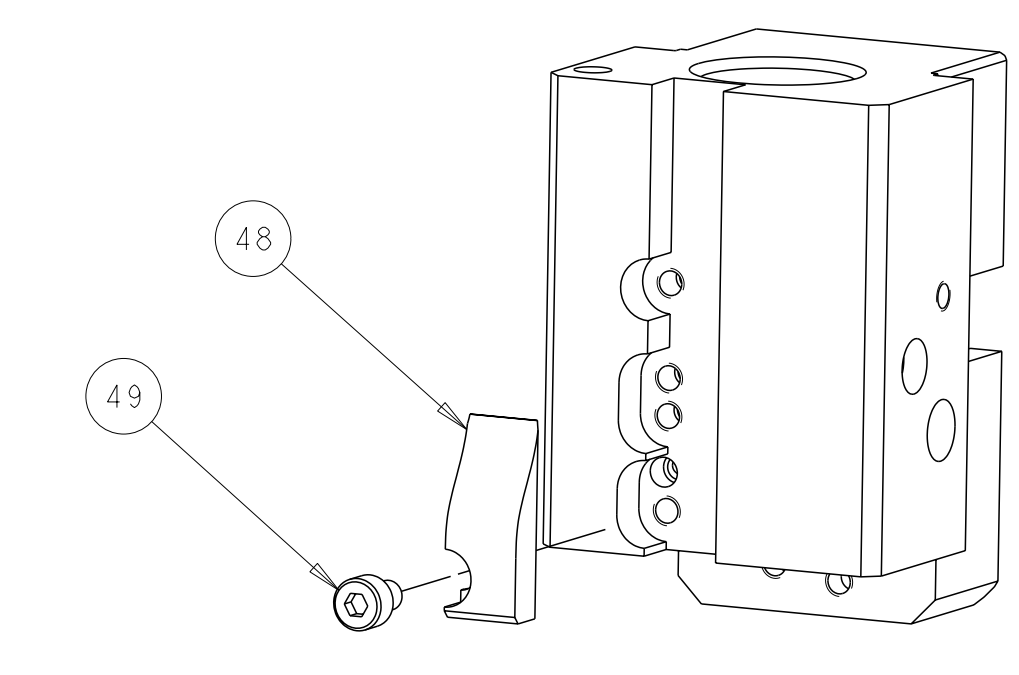
-	1	-	1	1	1	2119798-1	DETENT PIN	247	
-	1	-	1	1	1	1-22279-3	SPRING, COMPRESSION	246	
-	-	1	-	-	-	2119759-1	RAM, AMP STYLE, END FEED, NON-ADJUST	245	
-	1	1	1	1	1	2119082-9	CAM, SNAIL, INSULATION ADJUSTMENT	244	
-	1	1	1	1	1	2079764-1	WASHER, WAVE SPRING, CREST-TO-CREST	243	
-	1	1	1	1	1	2119083-1	RETAINER, INSULATION DIAL	242	
-	-	2	2	-	-	2168084-7	SHCS, LOW HEAD, RoHS, M5 X 10	240	
-	-	-	-	-	1	2119580-1	MECHANICAL FEED ASSEMBLY	239	
-	-	-	-	1	-	2063440-1	AIR FEED MODULE	238	
-	1	1	1	1	1	6-993111-6	PIN, SLOTTED SPRING 3.0 X 14.0	177	
-	1	1	1	1	1	8-22280-7	SPRING, COMPRESSION	176	
-	1	1	1	1	1	1752353-2	GUIDE PIN, HOLDDOWN	175	
-	1	1	1	1	1	1901680-2	GUIDE PIN, HOLDDOWN	174	
-	-	-	-	2	-	21045-3	RING, RETAIN, EXTERN, 3/16 CRESCENT	172	
-	1	1	1	1	1	994969-1	MAGNET, RARE EARTH HIGH ENERGY	166	
-	-	-	-	-	1	240638-1	SPRING, FEED FINGER	163	
-	-	-	-	1	-	3-23627-7	PIN, RETAIN, GRVD, 3/16 X .854	137	
4	-	REF	REF	-	-	SEE TABLE	MEMORY CHIP, PROGRAMMED	135	
-	-	1	1	-	-	1633743-1	SERVO FEED LATCH ASM	133	
-	1	1	1	1	1	2168083-8	SCR, SKT HD CAP, RoHS, M4 X 16	92	
-	1	1	1	1	1	1-455888-0	SPACER, CRIMPER	82	
-	1	1	1	1	1	2119956-2	DOCUMENTATION PACKAGE	71	
-	1	-	-	-	1	2119740-1	TAG, IDENTIFICATION	67	
-	2	2	2	2	2	21017-2	SCREW, DRIVE	66	
-	1	-	1	1	1	2119793-1	LIMITER, ADJUSTMENT BOLT	63	
-	3	-	3	3	3	992763-4	SCR, SET, SOC, CONE POINT, M3 x 3.0	62	
-	1	1	1	1	1	2079383-4	SCR, BHSC, RoHS (M4 X 8)	60	
-	-	-	-	-	1	5-18022-5	SCR, HEX HD CAP, M4 X 6.0	59	
-	-	-	-	-	1	2063961-1	FEED FINGER	58	
-	3	3	3	3	3	2168083-2	SCR, SKT HD CAP, RoHS, M4 X 8.0	57	
-	-	-	-	2	2	1-2168083-0	SCR, SKT HD CAP, RoHS, M4 X 10	56	
-	2	2	2	2	2	5018030-2	NUT, HEX, REG, RoHS, M4	55	
-	2	2	2	2	2	5018030-1	NUT, HEX, REG, RoHS, M3	54	
-	2	2	2	2	2	986965-1	NUT, LOCK, HEX, TORQUE (M4)	53	
-	2	2	2	2	2	2-18032-2	SCR, SET, FLT POINT M3 X 10.0	52	
-	-	-	-	-	1	2119792-2	PAWL, EF, AIR	51	
9	-	1	1	1	1	1-1976055-3	STANDOFF, HOLD-DOWN	50	
-	-	-	-	-	1	2	18023-9	SCR, SKT HD CAP M4 X 6.0	49
-	-	-	-	-	1	2119652-1	FEED CAM, PRE FEED	48	
-	-	-	-	-	1	2119653-1	FEED CAM, POST FEED	47	
-	1	1	1	1	1	2119655-5	APPLICATOR BASIC ASSEMBLY, EF	46	
-	1	1	1	1	1	1-5018030-0	NUT, HEX, REG, RoHS, M3.5	45	
-	1	-	-	-	1	2119369-1	RAM, AMP STYLE, END FEED	44	
-	1	1	1	1	1	2079383-7	SCR, BHSC, RoHS (M8 X 25)	41	
-	1	-	-	-	1	2119645-1	DISC, NUMBERED FA WIRE ADJUSTMENT	40	
-	1	1	1	1	1	2119091-4	SHIM, LAMINATE	39	
-	1	1	1	1	1	2119644-1	RAM WASHER, PRECISION	38	
-	1	1	1	1	1	2119085-1	FA HEAD, ATLANTIC STYLE	37	
-	1	-	-	-	1	2119092-1	BOLT, ADJUSTMENT	35	
-	7	7	7	7	7	1-18028-2	WASHER, FLAT, REG M4	33	
-	1	1	1	1	1	2168083-9	SCR, SKT HD CAP, RoHS, M4 X 20	31	
-	2	2	2	2	2	2168084-5	SHCS, LOW HEAD, RoHS, M4 X 20	30	
-	2	2	2	2	2	1-2168083-0	SCR, SKT HD CAP, RoHS, M4 X 10	29	
-	1	1	1	1	1	240639-1	STRIPPER (MACHINING)	27	
-	2	2	2	2	2	1320906-1	STUD, THREADED	25	
-	1	1	1	1	1	1752371-6	PLATE, STRIP GUIDE	24	
-	1	1	1	1	1	240825-2	PLATE, STRIP HOLD DOWN	23	
-	2	2	2	2	2	2-22281-3	SPRING, COMPRESSION	22	
-	1	1	1	1	1	1752373-1	DRAG	20	
-	2	2	2	2	2	1901259-5	GUIDE, LOWER STRIP	18	
-	4	4	4	4	4	1-2079383-1	SCR, BHSC, RoHS (M6 X 12)	17	
-	1	1	1	1	1	1752360-1	SPACER, HOLD-DOWN	13	
1	1	1	1	1	1	240833-2	PLATE, REAR SHEAR	11	
1	1	1	1	1	1	690495-4	PLATE, FRONT SHEAR	9	
1	1	1	1	1	1	1333219-3	ANVIL, COMBINATION	8	
1	1	1	1	1	1	690474-3	BLADE, SLUG	7	
-	1	1	1	1	1	1901681-5	HOLDDOWN, TERMINAL	6	
-	1	1	1	1	1	3-240641-5	SPACER	5	
-	1	1	1	1	1	238009-1	BLOCK, FL CRIMPER SPACER	4	
1	1	1	1	1	1	2119582-3	CRIMPER, INSULATION F PREMIUM	3	
-	1	1	1	1	1	1-455888-1	SPACER, CRIMPER	2	
1	1	1	1	1	1	1-456408-8	CRIMPER, WIRE PREMIUM	1	

DIMENSIONS: mm 		TOLERANCES UNLESS OTHERWISE SPECIFIED: 9 PLC ±.5 1 PLC ±0.5 2 PLC ±0.13 3 PLC ±0.013 4 PLC ±0.001 ANGLES ±.001 FINISH		DWN G. HOFFNER 17MAR2011 CHK G. BAILEY 18MAR2011 APVD G. BAILEY 18MAR2011 NAME: Ocean End Feed Atlantic Style Applicator SIZE: A1 CAGE CODE: 00779 DRAWING NO: C=2150145 RESTRICTED TO:	
MATERIAL: -		WEIGHT: -		CUSTOMER ACCESSIBLE PRODUCTION DRAWING SCALE: 1:1 SHEET 1 OF 2 REV: A1	

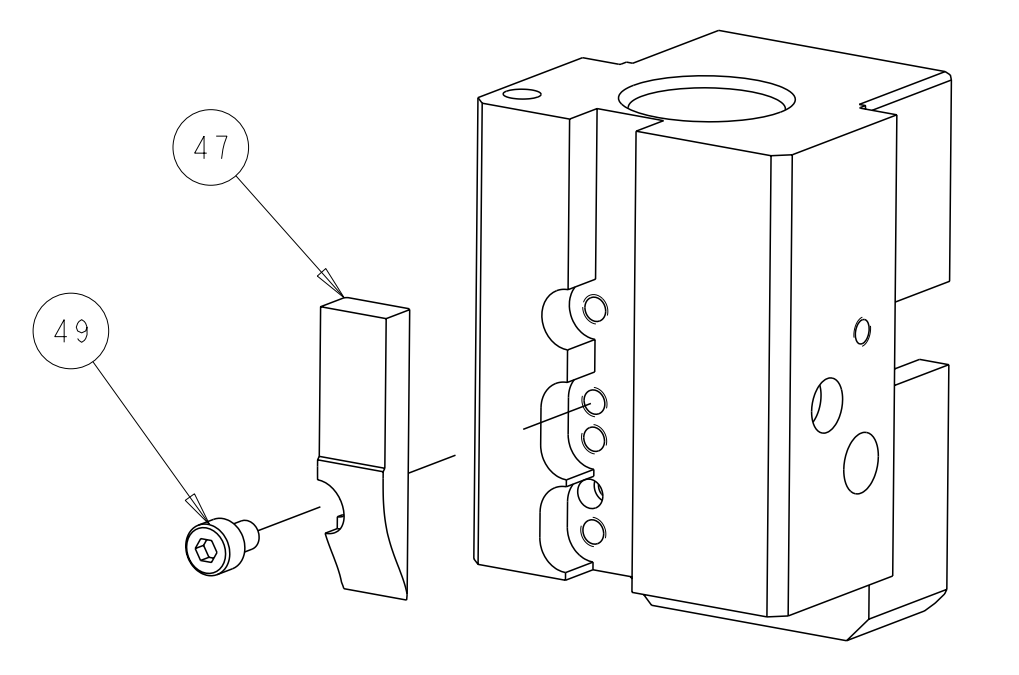
LOC		DIST		REVISIONS			
P	LTB	DESCRIPTION	DATE	DWN	APVD		
-	-	SEE SHEET 1	-	-	-		



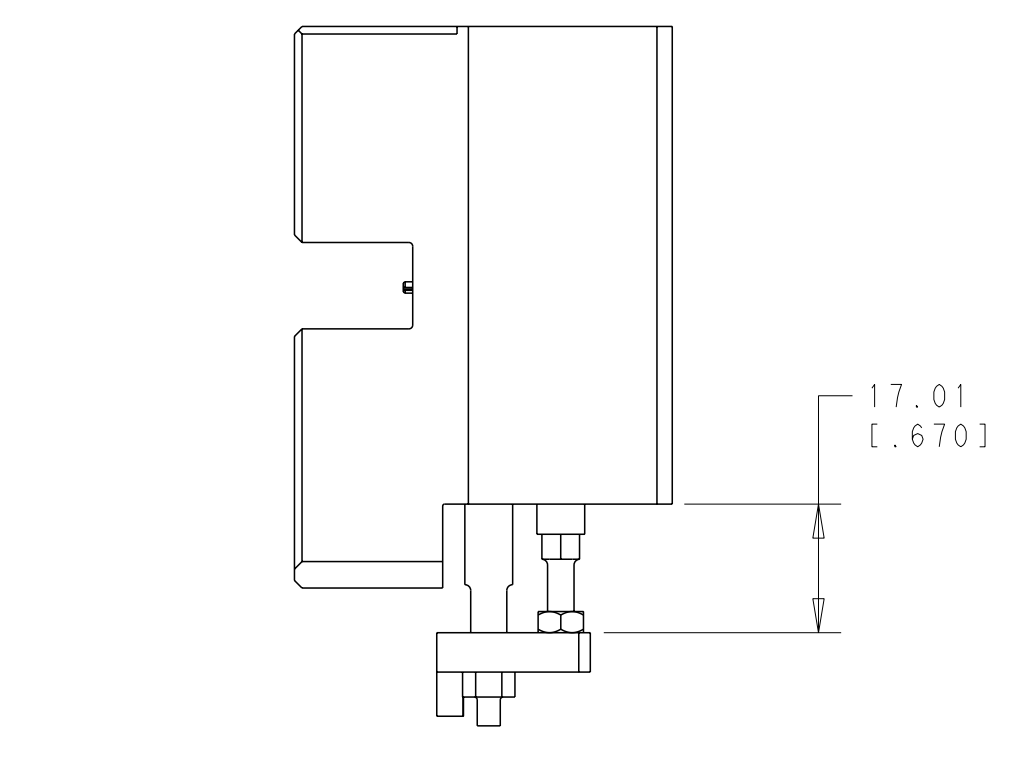
AIR FEED



MECH. PRE FEED



MECH. POST FEED



HOLDDOWN SET-UP

