

DESCRIPTION

Demonstration Circuit DC688 is a quad output power supply intended for use in small to medium size TFT panels. The circuit features the LT1942 quad output switching regulator and generates an LED driver along with the triple output supply required for the TFT panels. With an input voltage range of 3V to 4.2V, two step-up regulators and one inverting regulator provide AV_{DD} , V_{ON} and V_{OFF} bias voltages for the LCD panels. Another high power boost is used to drive 12 LEDs (2 strings of 6 each). For 3V minimum input voltage, up to 20mA current is available for each LED string. A built-in LED ballast circuit is included to precisely match the LED currents in the two strings. The LED driver has a precise

dimming control. A voltage between 0.25V to 2.5V can be applied to CTRL4 pin to control the dimming level.

An internal high side PNP provides delayed turn on of the V_{ON} signal for panel protection. A P-channel MOSFET driven by the output of PGOOD pin is added at the output of AV_{DD} to provide output disconnect in shutdown.

All four switchers are synchronized to the internal 1MHz clock, allowing the use of low profile inductors and ceramic capacitors. Both the AV_{DD} boost converter and the LED driver have soft-start to limit inrush current.

Design files for this circuit board are available. Call the LTC factory.

Table 1. Performance Summary

PARAMETER	CONDITION	VALUE
Output Voltage AV_{DD}	$V_{IN} = 3V$ to 4.5V, $I_{OUT} = 0mA$ to 40mA	$5V \pm 4\%$
Maximum Output Current at AV_{DD}	$V_{IN} = 3V$ to 4.5V (Note 1)	40mA
Current at LED1 or LED2	$V_{IN} = 3V$ to 4.5V, $R7=4.99\Omega$	$20mA \pm 6\%$
Typical Output Ripple AV_{DD}	$V_{IN} = 4V$, load at $AV_{DD} = 40mA$ (20MHz BW)	$8mV_{P-P}$
Typical Switching Frequency		1MHz
SHDN Control	Logic Low Voltage-Off, $T_A = 25^\circ C$	0.4V MAX
	Logic High Voltage-On, $T_A = 25^\circ C$	1.0V MIN

Note 1: The AV_{DD} output can supply more current with a larger inductor. For example, it can deliver 50mA load current with Sumida CLS4D14-330 (33 μ H).

QUICK START PROCEDURE

Demonstration circuit 688 is easy to set up to evaluate the performance of the LT1942. Refer to Figure 1 for proper measurement equipment setup and follow the procedure below:

When measuring the input or output voltage ripple, care must be taken to avoid a long ground lead on the oscilloscope probe. Measure the input or output voltage ripple by touching the probe tip directly across the input or one of the outputs and GND terminals. See Figure 2 for proper scope probe technique.

1. With power off, connect the input power supply to Vin and GND.
2. Place JP1 in RUN position; JP2 in ON position.
3. Set the input voltage between 3V to 4.5V. Turn on the power at the input.
4. Check for the proper output voltages. If any output voltage is lower than the set value, temporarily disconnect the load to make sure that the load is not set too high.

QUICK START GUIDE FOR DEMONSTRATION CIRCUIT 688

QUAD OUTPUT SWITCHING REGULATORS FOR TFT SUPPLY AND LED DRIVER

- Once the proper output voltages are established, adjust the loads within the operating range and observe the output voltage regulation, ripple voltage, efficiency and other parameters.
- The LED driver can be turned off independently by putting JP2 in off position. LED dimming (2.5mA to

20mA each string) can be easily achieved by applying a voltage between 0.1V to 2.5V at CTRL4 pin. Refer to datasheet for more information.

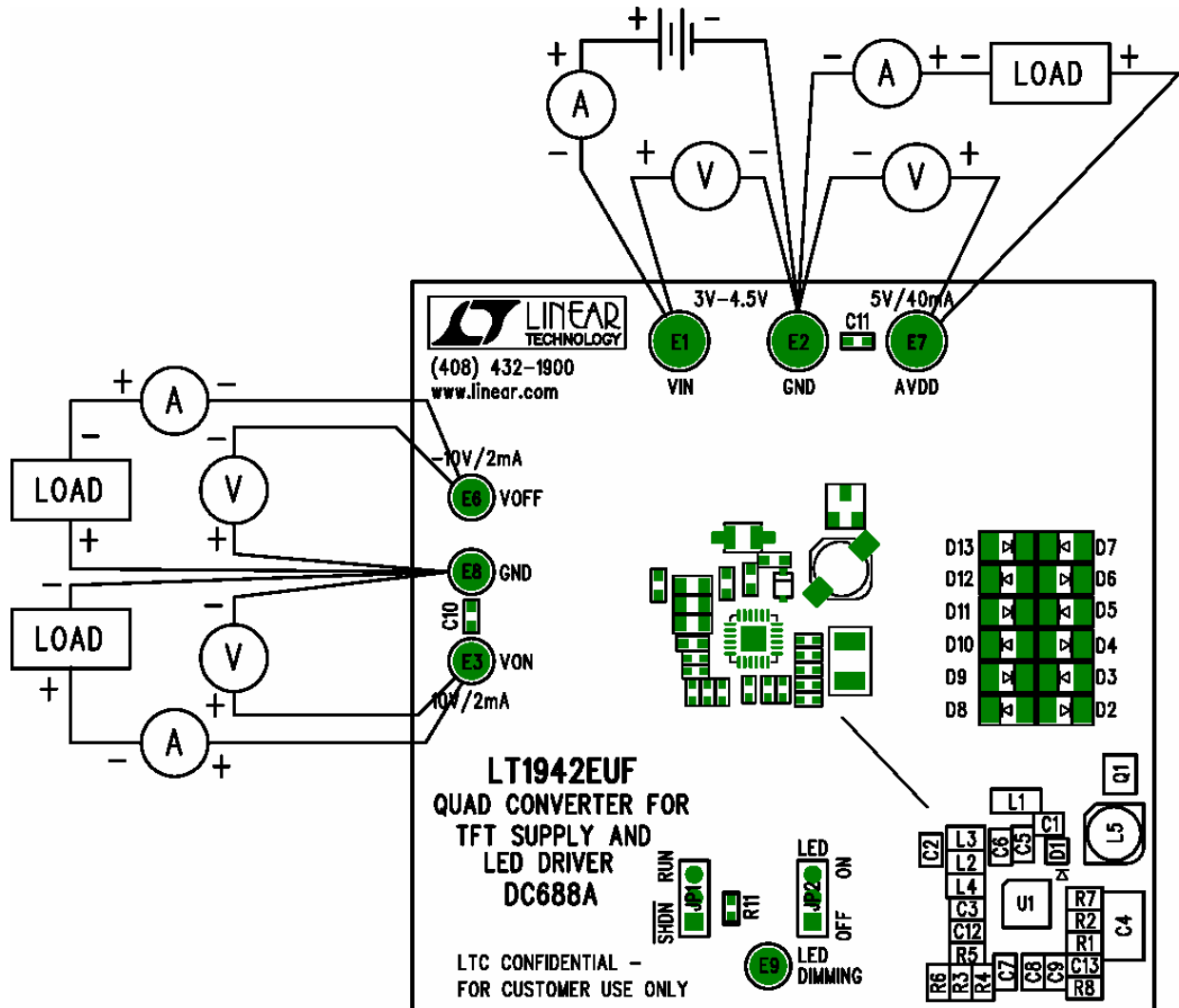


Figure 1. Proper Measurement Equipment Setup

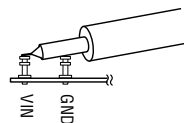


Figure 2. Measuring Input or Output Ripple

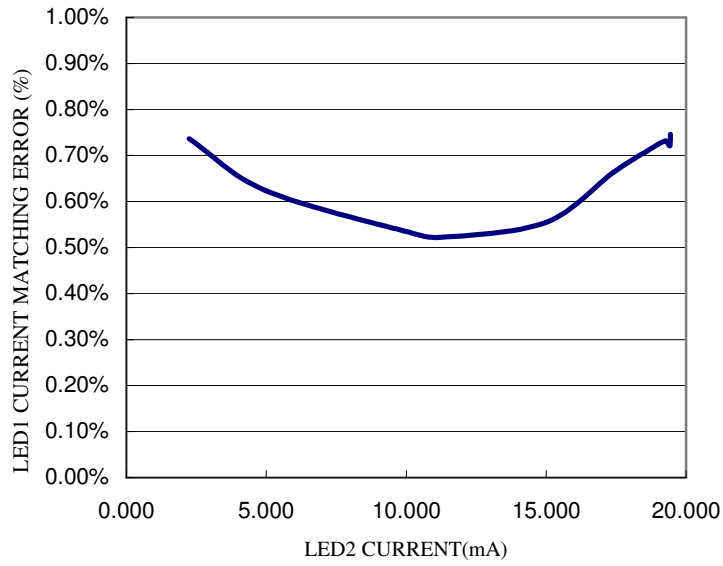


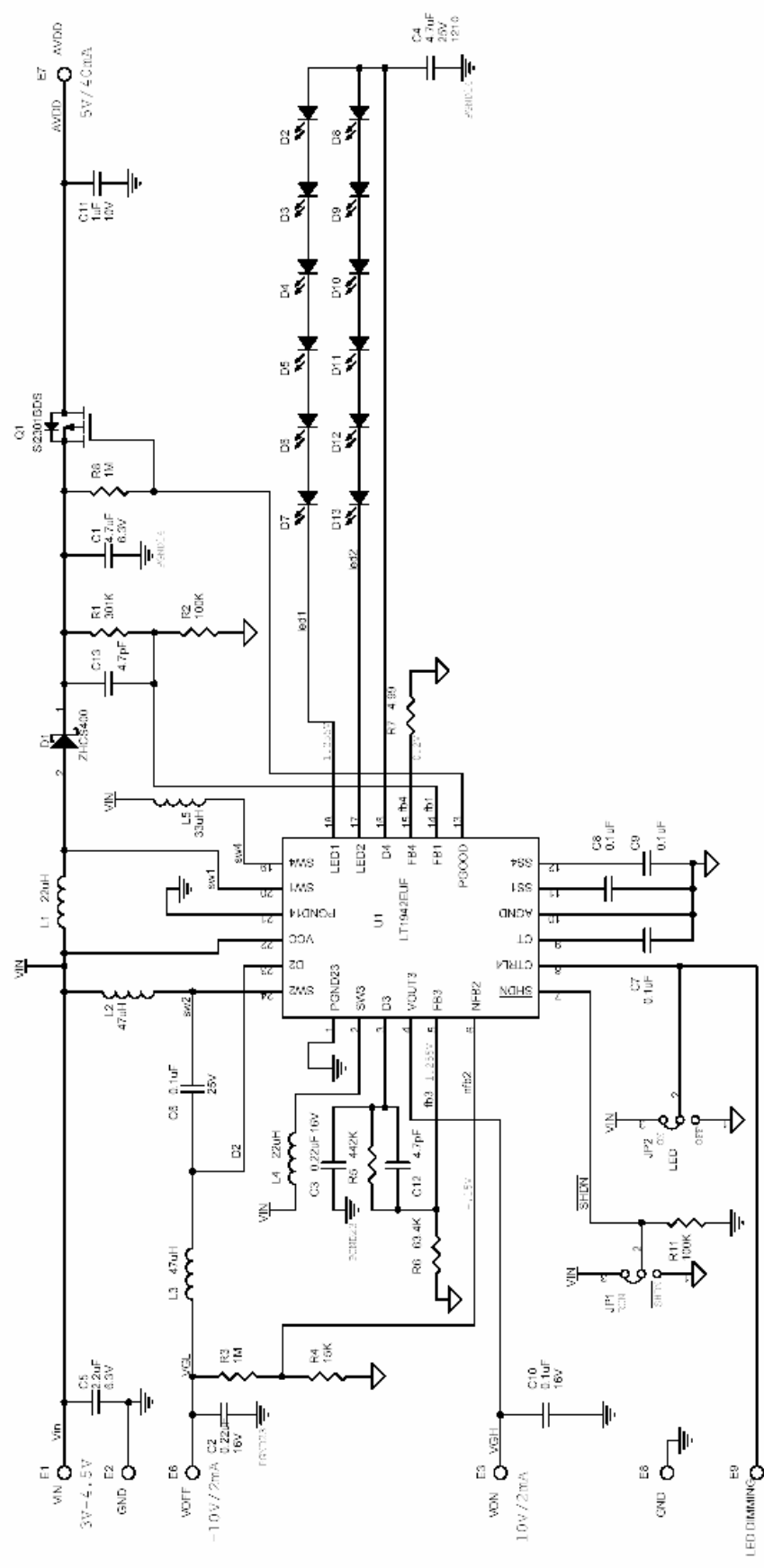
Figure 3. Typical current matching between LED1 and LED2

QUICK START GUIDE FOR DEMONSTRATION CIRCUIT 688

QUAD OUTPUT SWITCHING REGULATORS FOR TFT SUPPLY AND LED DRIVER

REVISION HISTORY		
ECC	REV	DESCRIPTION
	2	PROTO
		DATE APPROVED
		01/28/04

This circuit is proprietary to Linear Technology and supplied for use with Linear Technology parts.
Customer Notice: Linear Technology has made a best effort to design a circuit that meets customer-supplied specifications; however, it remains the customer's responsibility to verify proper and reliable operation in the actual application. Component substitution and printed circuit board layout may significantly affect circuit performance or reliability. Contact Linear Applications Engineering for assistance.



CONTRACT NO.		DATE	
APPROVALS	ME	05/03/03	
CHECKED			
APPROVED			
ENGINEER			
DESIGNER			
TuesDay, July 13, 2004		SCALE:	FILENAME: 868A-2.DSN
		SHEET: 1	OF: 1

		1630 McCarthy Blvd Milpitas, CA 95035 Phone: 408/432-1900 Fax: 408/432-4600	
TITLE: SCH, LT1942EUF, QUAD CONVERTER FOR TFT SUPPLY AND LED DRIVER			
SIZE	ICAGE CODE	DWG NO	REV
		DC688A	2

