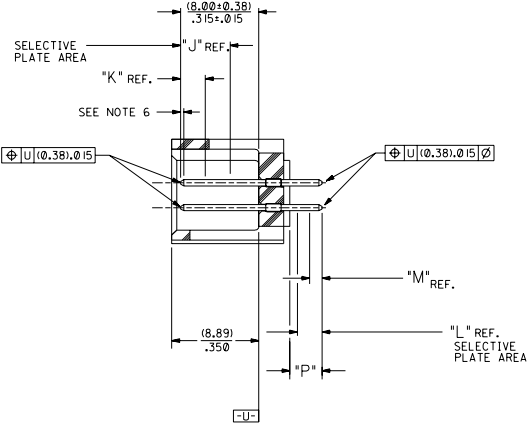


RECOMMENDED P.C. BOARD HOLE LAYOUT



SECTION J-J

**NOTES:**

- 1- 20 CIRCUIT SIZE SHOWN FOR ILLUSTRATION PURPOSES.
- 2- PIN PUSHOUT FORCE: (17.79 N)/4 LBS.
- 3- PINS MUST MEET SOLDERABILITY SPEC. MIL-STD-202 METHOD 208B.
- 4- WINDOW NOT AVAILABLE ON 6 AND 8 CIRCUIT SIZE.
- 5- FOR CHARTED DIMENSIONS AND ASSEMBLY NO.S NOT SHOWN ON THIS SHEET - SEE SHEET 2.
- 6- ROW TO ROW PIN HEIGHT VARIATION MUST NOT EXCEED (0.13)/.005 IN.
- 7- PRODUCT CONFORMS TO PS-8723.

CKT.	8723				
	DIM. "A"	DIM. "B"	DIM. "C"	DIM. "D"	DIM. "E"
06	(1.68) .066	(8.43) .332	(5.08) .200	(1.68) .066	
08	(1.68) .066	(10.97) .432	(7.62) .300	(1.68) .066	
10	(1.68) .066	(13.51) .532	(10.16) .400	(4.22) .166	
12	(1.68) .066	(16.05) .632	(12.70) .500	(4.22) .166	
14	(1.68) .066	(18.59) .732	(15.24) .600	(6.76) .266	
16	(1.68) .066	(21.13) .832	(17.78) .700	(6.76) .266	
18	(1.68) .066	(23.67) .932	(20.32) .800	(9.30) .366	
20	(1.68) .066	(26.21) .1032	(22.86) .900	(1.68) .066	(19.46) .766
22	(1.68) .066	(28.75) .1132	(25.40) .1000	(1.68) .066	(22.00) .866
24	(1.68) .066	(31.29) .1232	(27.94) .1100	(1.68) .066	(24.54) .966
26	(1.68) .066	(33.83) .1332	(30.48) .1200	(1.68) .066	(27.08) .1066
28	(1.68) .066	(36.37) .1432	(33.02) .1300	(1.68) .066	(29.62) .1166
30	(1.68) .066	(38.91) .1532	(35.56) .1400	(1.68) .066	(32.16) .1266
32	(1.68) .066	(41.45) .1632	(38.10) .1500	(1.68) .066	(34.70) .1366
34	(1.68) .066	(43.99) .1732	(40.64) .1600	(1.68) .066	(37.24) .1466
36	(1.68) .066	(46.53) .1832	(43.18) .1700	(1.68) .066	(39.78) .1566
38	(1.68) .066	(49.07) .1932	(45.72) .1800	(1.68) .066	(42.32) .1666
40	(1.68) .066	(51.61) .2032	(48.26) .1900	(1.68) .066	(44.86) .1766
42	(1.68) .066	(54.15) .2132	(50.80) .2000	(1.68) .066	(47.40) .1866
44	(1.68) .066	(56.69) .2232	(53.34) .2100	(1.68) .066	(49.94) .1966
46	(1.68) .066	(59.23) .2332	(55.88) .2200	(1.68) .066	(52.48) .2066
48	(1.68) .066	(61.77) .2432	(58.42) .2300	(1.68) .066	(55.02) .2166
50	(1.68) .066	(64.31) .2532	(60.96) .2400	(1.68) .066	(57.56) .2266
52	(1.68) .066	(66.85) .2632	(63.50) .2500	(1.68) .066	(60.10) .2366
54	(1.68) .066	(69.39) .2732	(66.04) .2600	(1.68) .066	(62.64) .2466
56	(1.68) .066	(71.93) .2832	(68.58) .2700	(1.68) .066	(65.18) .2566
58	(1.68) .066	(74.47) .2932	(71.12) .2800	(1.68) .066	(67.72) .2666
60	(1.68) .066	(77.01) .3032	(73.66) .2900	(1.68) .066	(70.26) .2766
62	(1.68) .066	(79.55) .3132	(76.20) .3000	(1.68) .066	(72.80) .2866
64	(1.68) .066	(82.09) .3232	(78.74) .3100	(1.68) .066	(75.34) .2966
66	(1.68) .066	(84.63) .3332	(81.28) .3200	(1.68) .066	(77.88) .3066
68	(1.68) .066	(87.17) .3432	(83.82) .3300	(1.68) .066	(80.42) .3166
70	(1.68) .066	(89.71) .3532	(86.36) .3400	(1.68) .066	(82.96) .3266
72	(1.68) .066	(92.25) .3632	(88.90) .3500	(1.68) .066	(85.50) .3366

**MATERIAL:**

SHROUDED WAFER: GLASS FILLED POLYESTER, 94V-0; COLOR: BLACK.  
PINS: PHOSPHOR BRONZE,  
SEE SHEET 2 FOR FINISHES.

**ASSEMBLY STYLE "A" AND "B"**

DIMS. SHOWN METRIC INCH		REVISE ONLY ON CAD SYSTEM	
TITLE SALES ASSEMBLY		DATE 12/92/07/17	
WAFER - STRAIGHT MT. FULLY SHROUDED		DRAWN DA	
.1000 GRID - FOR USE W/ .0025 SQ. PINS		CHECKED LTR	
WITH .066 END WALLS		REVISIONS	
MOLEX INCORPORATED		SEE CHART SDA-8723-*****	
PART NO. 8723		SCALE 4:1	
MFG. SH. REV.		LTR. REV.	

