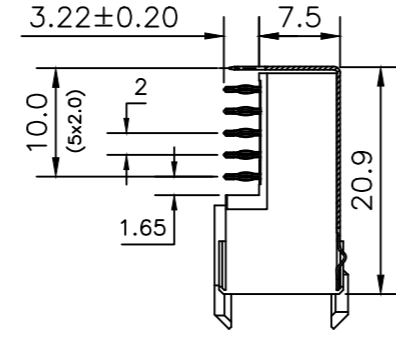
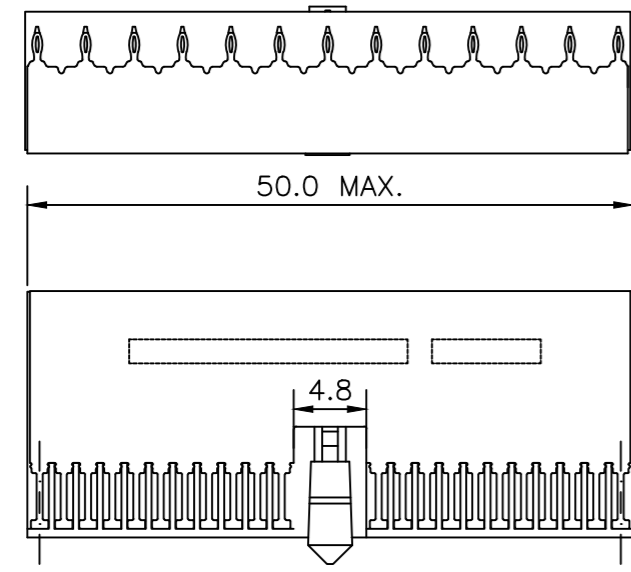


FCI CONFIDENTIAL

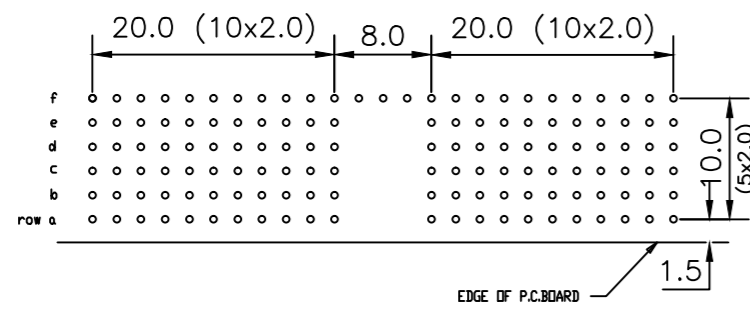
FCI

This document is the property of and embodies CONFIDENTIAL and PROPRIETARY information of FCI. No part of the information shown on this document may be used in any way or disclosed to others without the written consent of FCI. Copyright FCI.

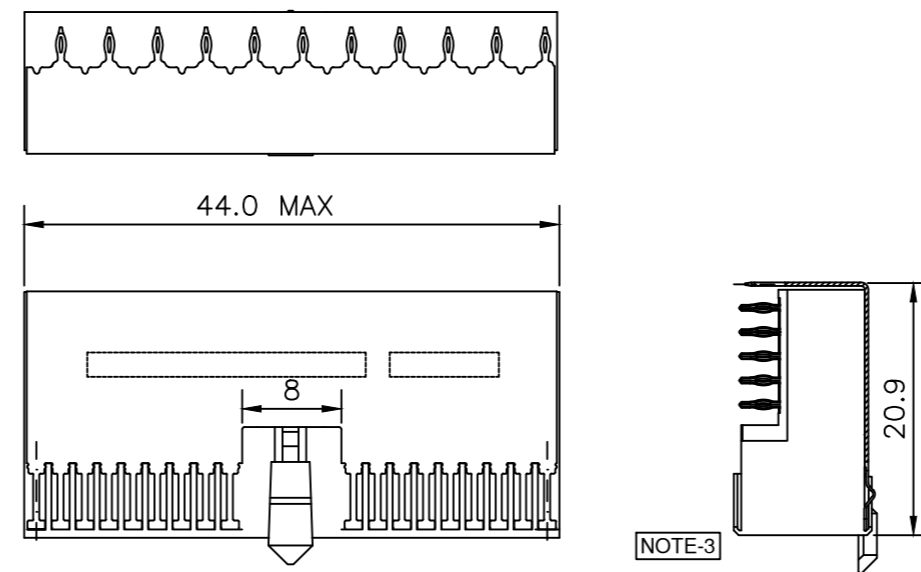
HM2R10PA510Y----



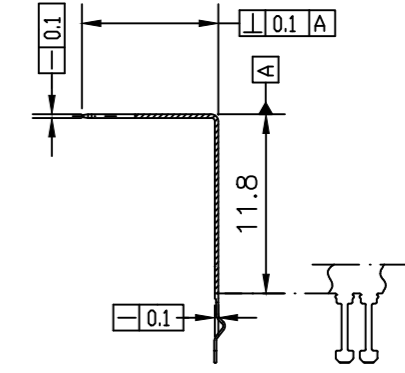
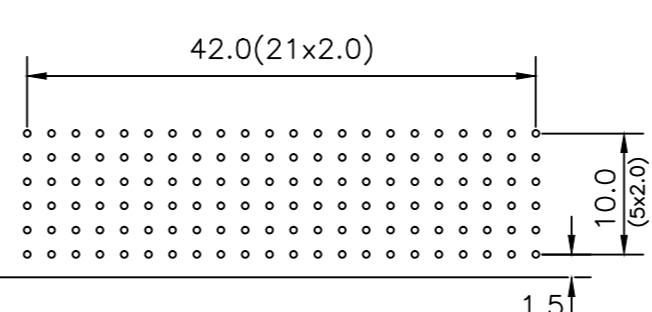
LAY OUT P.C.B - HOLE



HM2R62PA510Y----

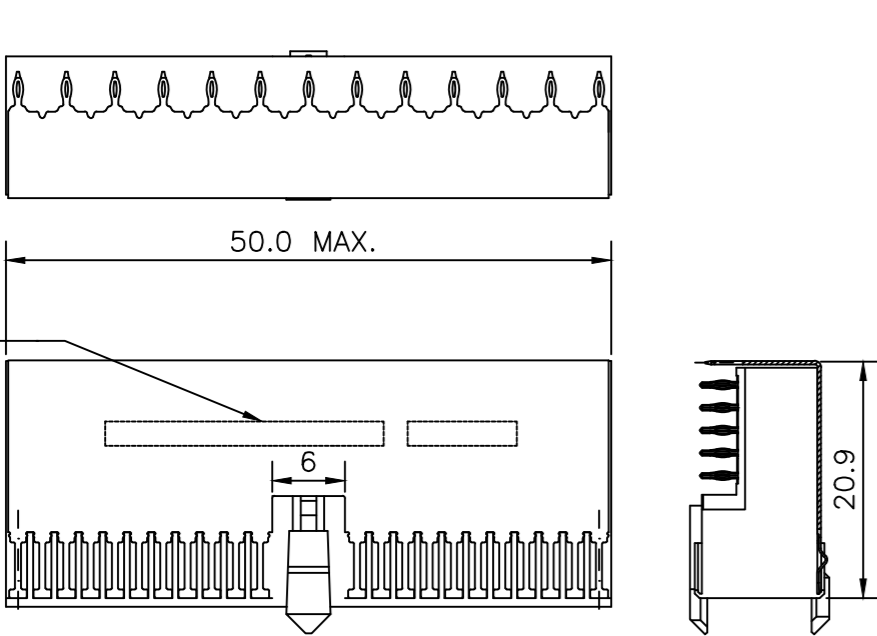


LAY OUT P.C.B - HOLE

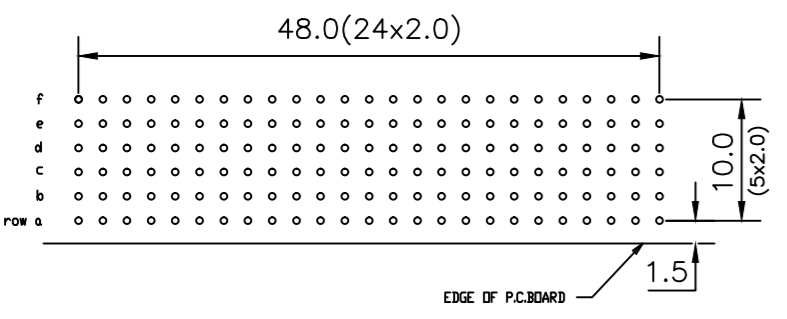


NOTE-3

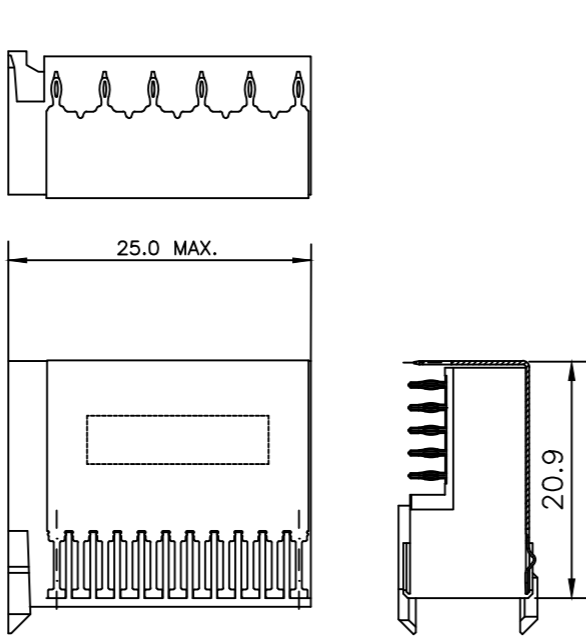
HM2R65PA510Y----



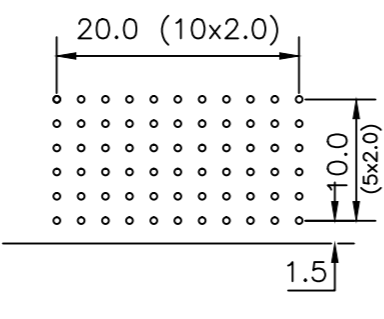
LAY OUT P.C.B - HOLE



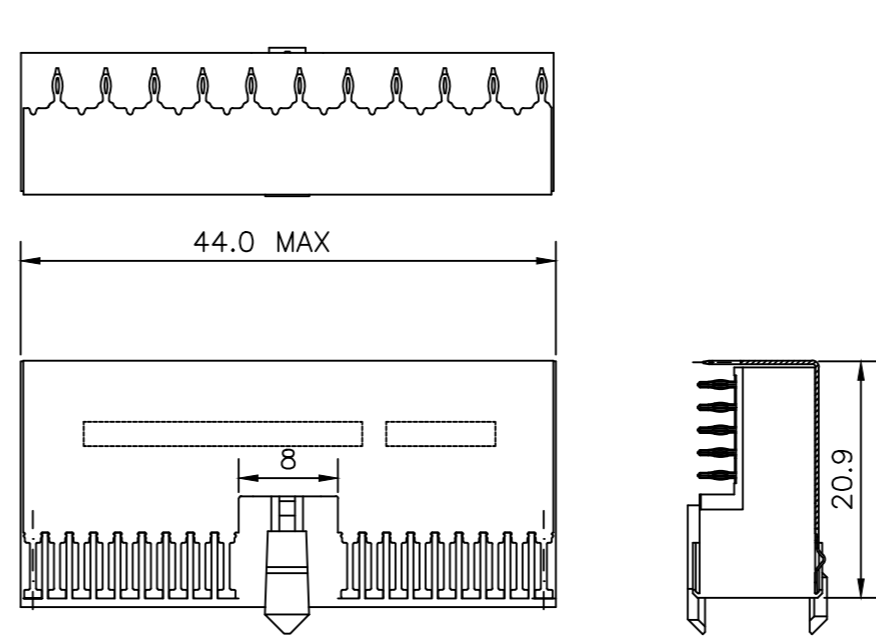
HM2R30PA510Y----



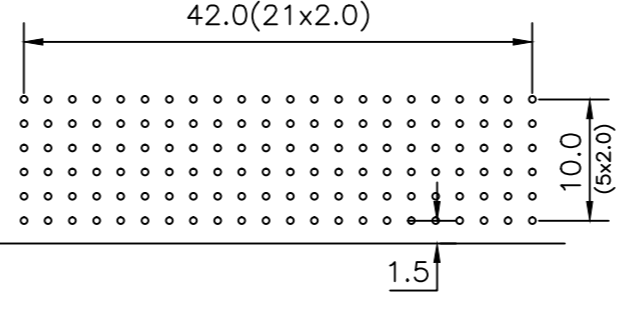
LAY OUT P.C.B - HOLE



HM2R66PA510Y----



LAY OUT P.C.B - HOLE

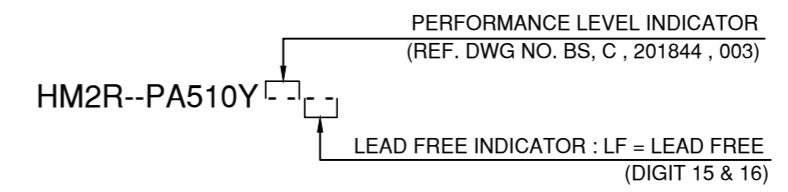


NOTES

1. THIS PRODUCT MEETS EUROPEAN UNION DIRECTIVES AND OTHER COUNTRY REGULATIONS AS DESCRIBED IN GS-47-0004
2. FOR PTH DETAILS REFER DRAWING : BS,A ,201572,001
3. FOR HM2R62PA510Y---- ONLY UPPER POLARIZING PEG EXIST.

PART NUMBER

| | AFTER BENDING CONTACT |
|------------------|-----------------------|
| HM2R10PA510Y---- | HM2SC10-Y---- |
| HM2R30PA510Y---- | HM2SC30-Y---- |
| HM2R65PA510Y---- | HM2SC65-Y---- |
| HM2R66PA510Y---- | HM2SC66-Y---- |
| HM2R62PA510Y---- | HM2SC66-Y---- |



| | | | | | |
|-------------|----------------|-------------|------------|-------------------------------|----------------|
| mat'l. code | | surface | tolerance | projection | product family |
| ISO 1302 | | ISO 406 | ISO 1101 | MM | MILLIPACS |
| ltr | ecn no | dr | date | title | |
| A | 113-0001 | AKA | 2013-09-20 | MPACS 5+2R RA RCP | |
| B | ELX-I-19323 | AKA | 2014-11-06 | CONN TYPE A, TYPE C, TYPE AB | |
| angles | | linear | | scale 1:1 | |
| 0°±1° | | ±0.5 | | dwg no | |
| dr | | AKA | 2013-01-14 | sheet 1 of 1 | |
| enr | | AKA | 2013-01-14 | size | |
| chr | | ALEX BABU | 2013-01-14 | A2 | |
| appd | | BIJU K PAUL | 2013-01-14 | type Product Customer Drawing | |
| sheet index | revision sheet | B | 1 | | |