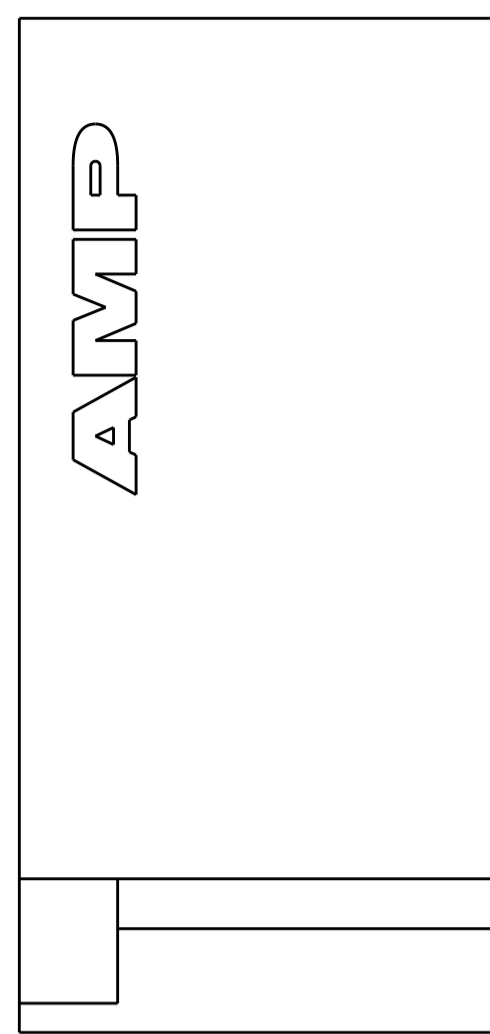
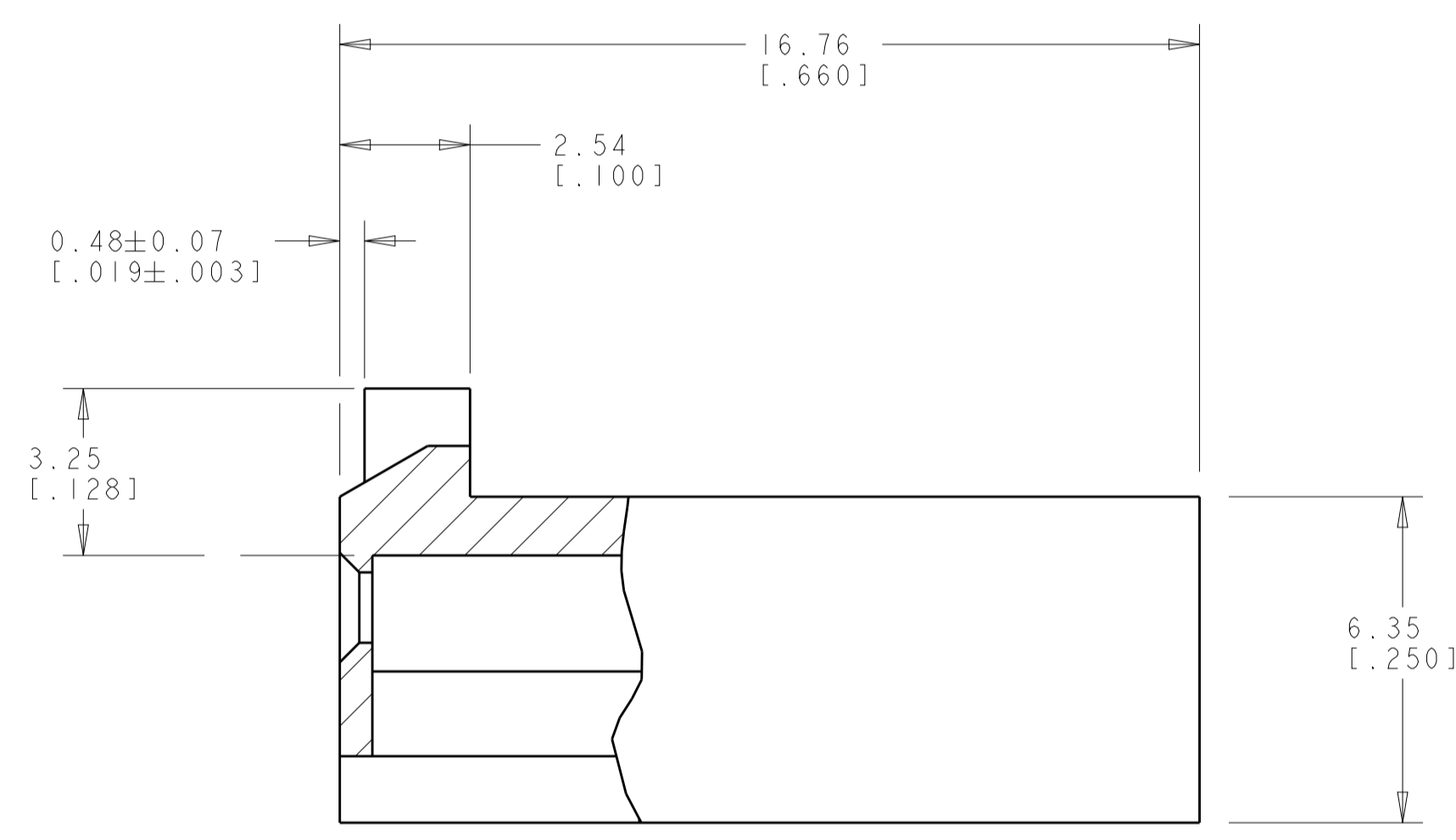
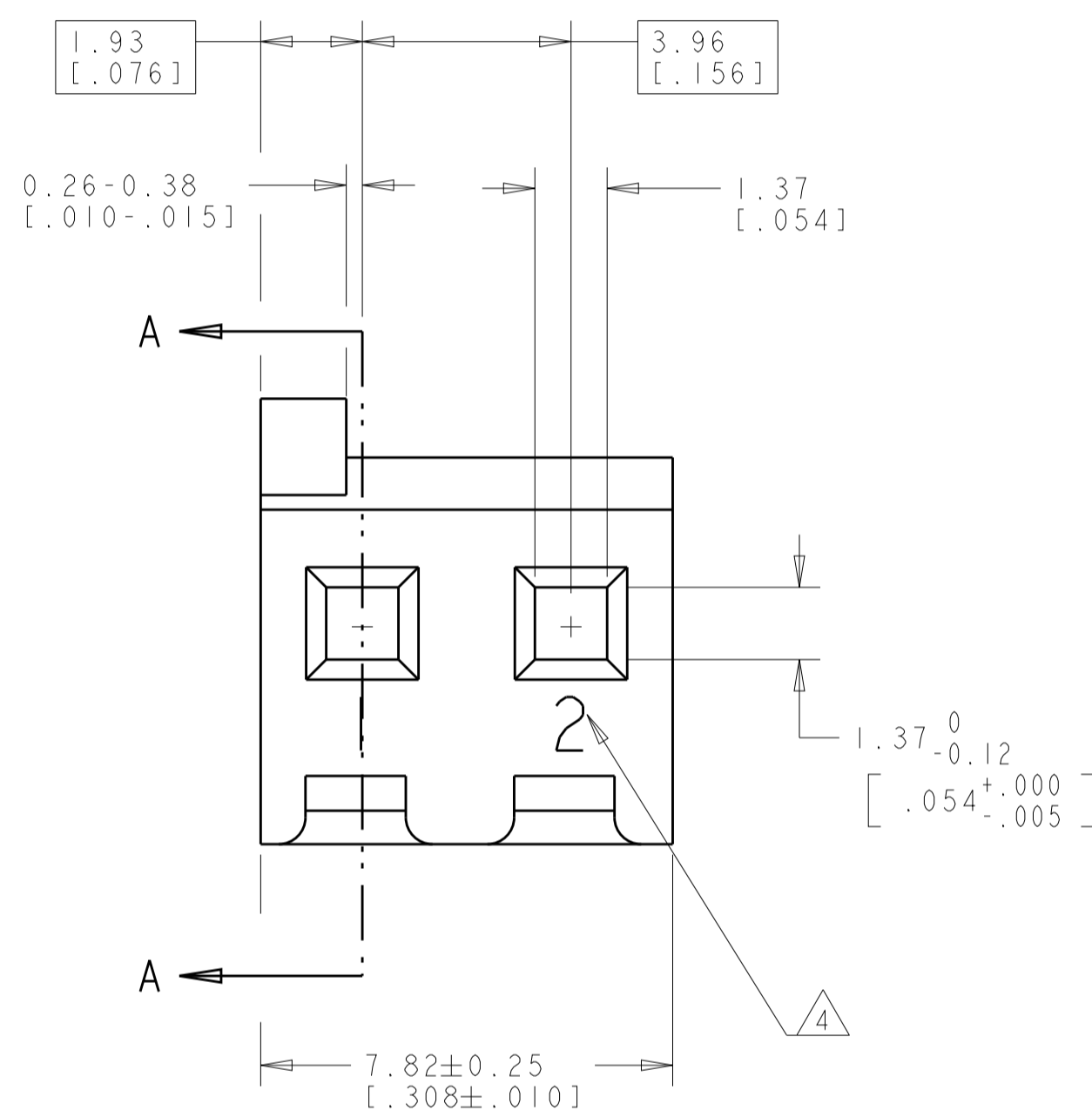


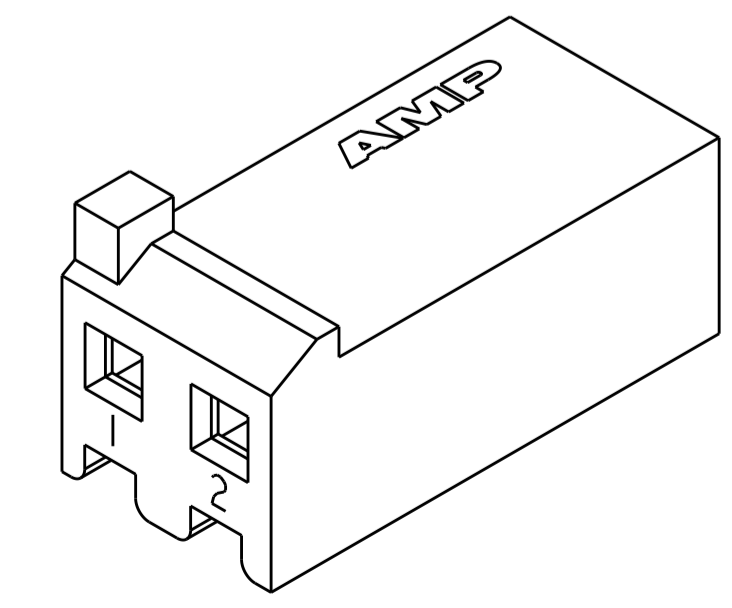
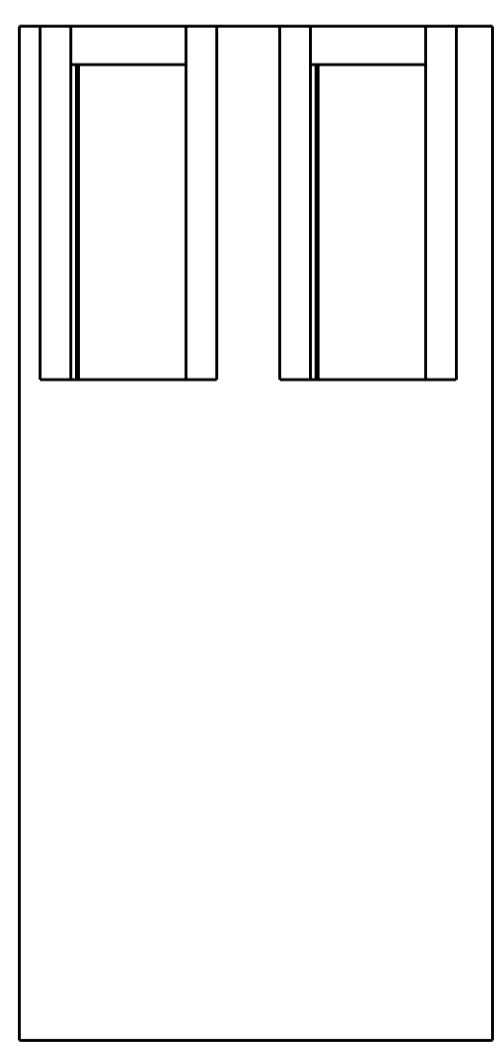
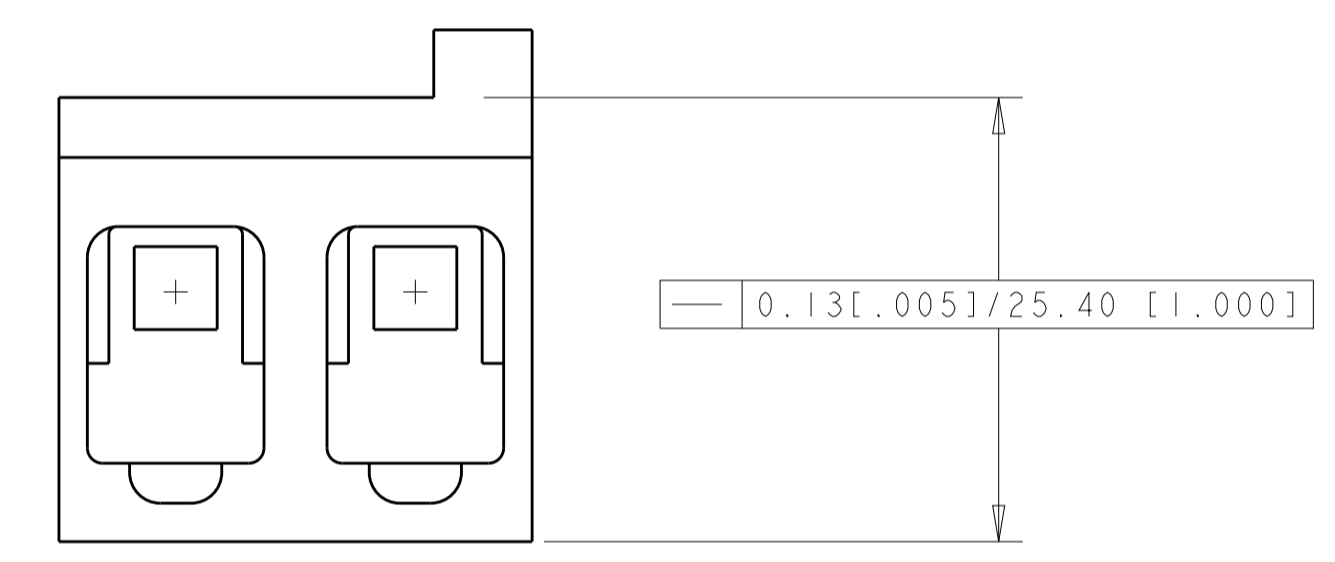
LOC	DIST	REVISIONS					
		P	LTN	DESCRIPTION	DATE	DWN	APVD
CM	00	A		REVISED PER ECO-12-007810	28JUL2012	KH	SM



1. UNIT ACCEPTS 1.14 [.045] SQUARE OR ROUND POST.
2. UNIT ACCEPTS STANDARD SL-156 CONTACTS.
3. UNIT ACCEPTS KEYING PLUG 640254-1 AND KEYING PIN 640255-1.
4. CIRCUIT I.D. NUMBER(S) TO BE LOCATED SEQUENTIALLY
5. DIMENSION IN BRACKETS ARE IN INCHES.



SECTION A-A



3-DIMENSIONAL MODEL
SCALE 5:1

2	647663-2
NO OF CIRCUITS	PART NUMBER

THIS DRAWING IS A CONTROLLED DOCUMENT.		DWN K. WHITAKER 14-JAN-04	NAME	HOUSING, WITH LOCKING RAMP, AND POLARIZING TAB, SPECIAL, SL-156	RESTRICTED TO
DIMENSIONS: mm [INCHES]		CHK J. ELLIS 14-JAN-04	PRODUCT SPEC		
TOLERANCES UNLESS OTHERWISE SPECIFIED:		APVD J. ELLIS 14-JAN-04	APPLICATION SPEC	SIZE	RESTRICTED TO
0 PLC	±			A100779	
1 PLC	±			C=647663	
2 PLC	±0.13 [.005]				
3 PLC	±				
4 PLC	±				
ANGLES	±				
FINISH	±				
MATERIAL NYLON, UL 94V-0 NATURAL					
CUSTOMER DRAWING		WEIGHT		SCALE 8:1	SHEET 1 OF 1