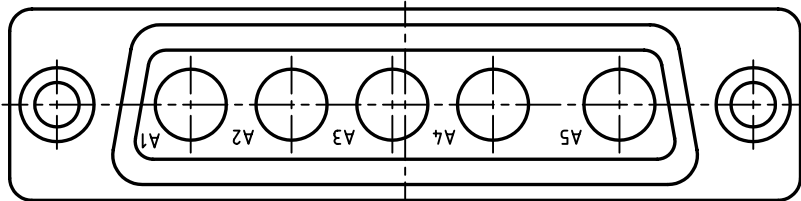
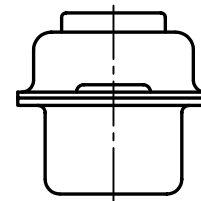
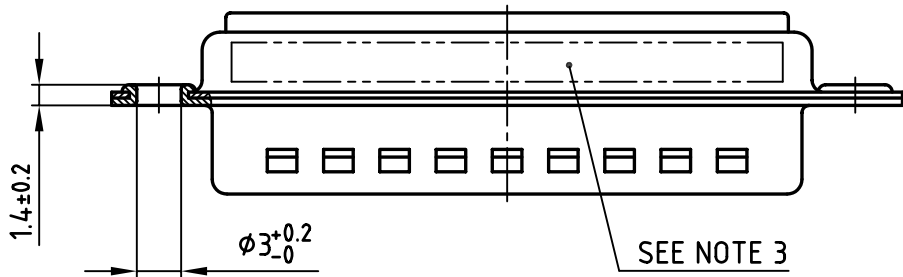
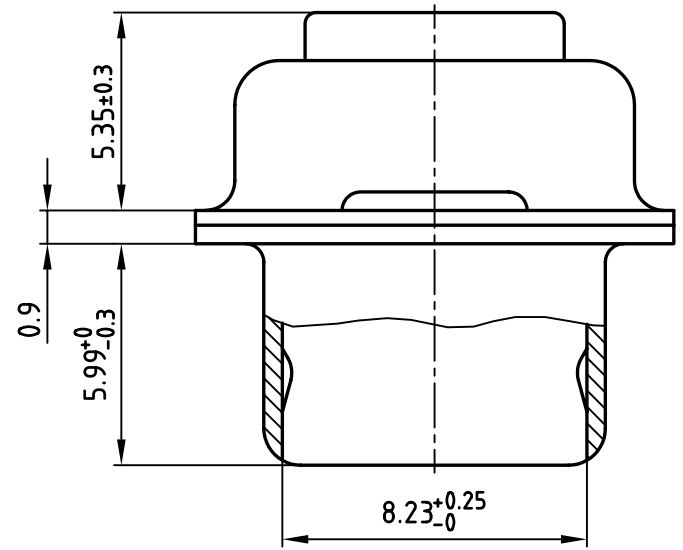
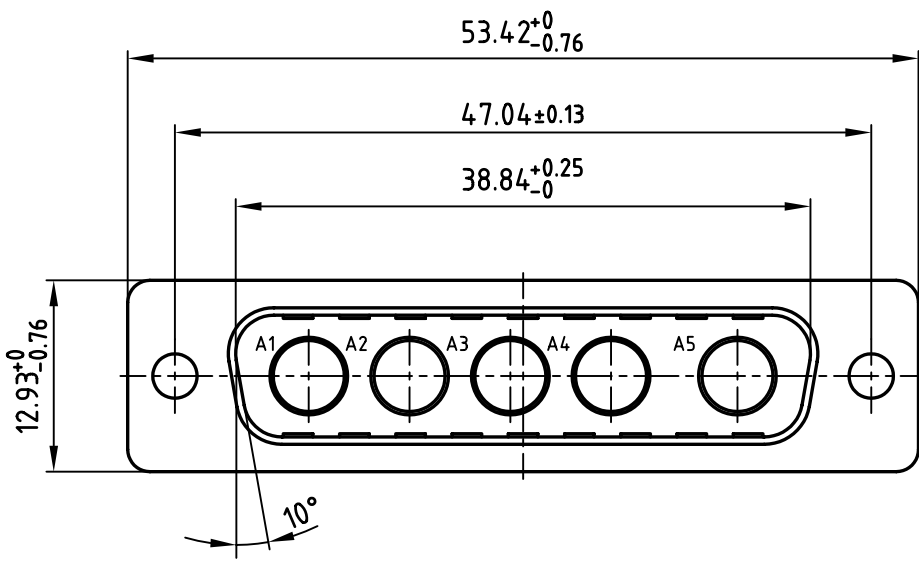


used for: D-SUB COMBINATION

5:1



Directive 2002/95/EC
„RoHS“
Compliant

NOTES:

- METALSHELLS: STEEL; TIN PLATED
- INSULATOR: PBT GF, UL 94 V-0; GREEN
- CONNECTOR IS PART MARKED: PART NO. CONEC ABC

THIS DRAWING MAY NOT BE COPIED OR REPRODUCED IN ANY WAY, AND MAY NOT BE PASSED ON TO A THIRD PARTY WITHOUT WRITTEN PERMISSION. OWNERSHIP AND COPYRIGHT OF CONEC GMBH DO NOT ALTER CAD DRAWING BY HAND

rev.	description	date	name

tolerance		scale:	2:1 (5:1)
		material:	SEE NOTES
1998	date	name	D-SUB COMBINATION MALE 5W5P WITHOUT CONTACTS
drawn	09.11.	Barcinski	
appd.	09.11.	Mickenbecker	
norm			
d-old			
		dwg no:	AutoCAD/REL.13 DIN-A
			3
		part no:	3005W5PXX99A10X
			sh:1/1