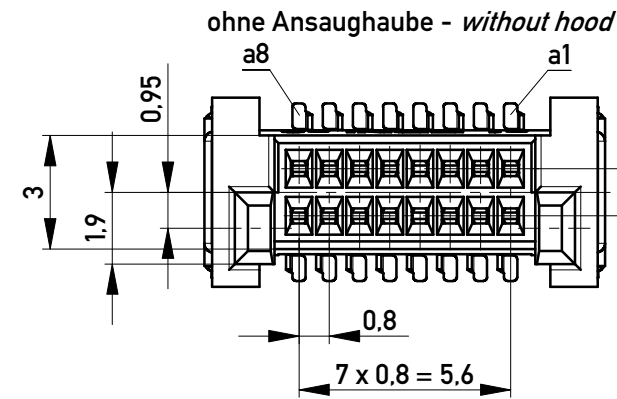
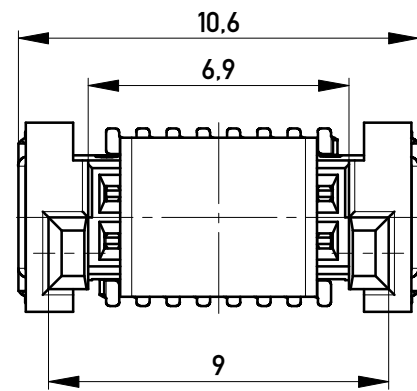
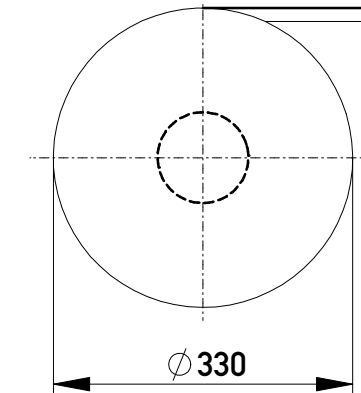
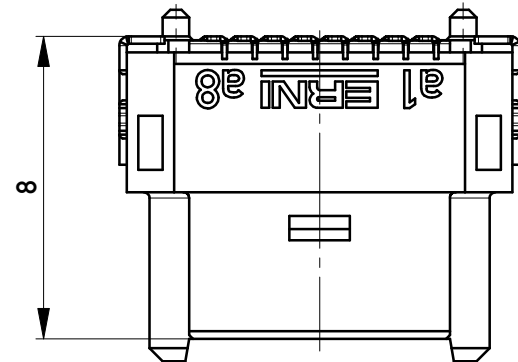


Verpackt im Gurt in Anlehnung an DIN IEC 60286-3  
 Tape on Reel Packaging according to DIN IEC 60286-3  
 Verpackungseinheit: 420 Stück  
 Packaging unit: 420 pcs



ohne Ansaughaube - without hood

Abspulrichtung - Reel off Direction

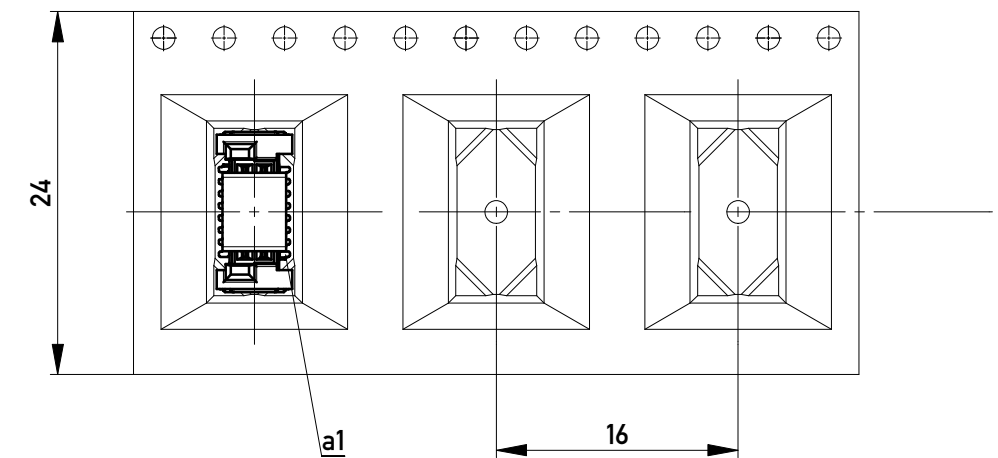


Anforderungsstufe 1  
 Performance Level 1

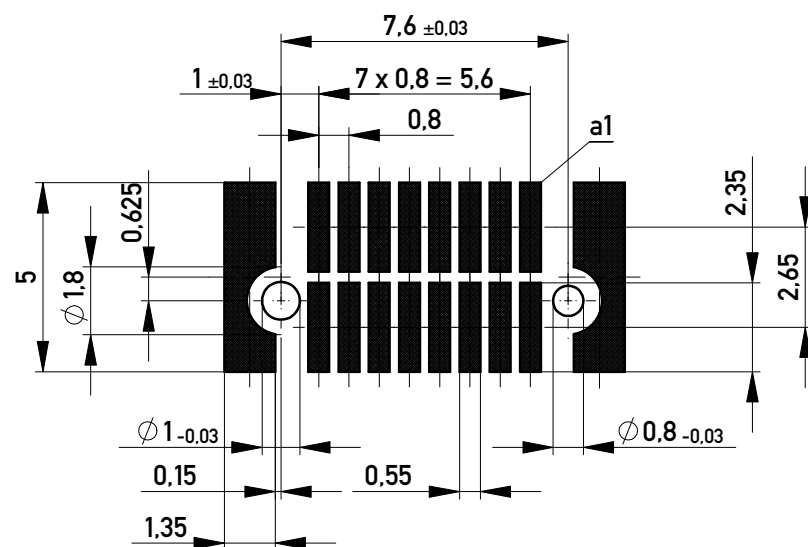
Kontaktbereich vergoldet  
 Mating Area gold plating

Anschlussbereich verzinkt 4-6 µm  
 Terminal Area 4-6 µm tin plating

Koplanarität der Anschlüsse ≤ 0,1 mm  
 Coplanarity Area of Termination ≤ 0,1 mm



Leiterplatten-Layout Vorschlag für SMT  
 PCB-Layout Proposal for SMT



Copyright by ERNI Production GmbH & Co. KG  
 Proprietary notice pursuant to ISO 16016 to be observed.

Information:		Tolerances	 All Dimensions in mm	Scale	5:1
All rights reserved. Only for Information. To ensure that this is the latest version of this drawing, please contact one of the ERNI companies before using.		Subject to modification without prior notice. Drawing will not be updated.		Designation <b>0,8 DRC-B, F 8mm, 16 polig</b> <b>0,8 DRC-B, F 8mm, 16 pin</b>	
 www.ERNI.com		<b>454926</b>		I <b>A3</b>	
e	23.06.2016	Class		DRCB	
Index	Date				