

4

3

2

1

THIS DRAWING IS UNPUBLISHED.

RELEASED FOR PUBLICATION

AUG ,2006.

© COPYRIGHT - BY TYCO ELECTRONICS CORPORATION. ALL RIGHTS RESERVED.

LOC
DWDIST
/

REVISIONS

| P | LTR | DESCRIPTION | DATE | DWN | APVD |
|---|-----|---------------------------|---------|-----|------|
| | C | REVISED (ECR-09-006150) | 17MAR09 | SC | WK |
| | C1 | REVISED PER ECO-09-024927 | 07NOV09 | KK | AEG |

TE LOGO

11.91

1.27 TYP

11.43

X

18.00

11.50

3.00

2 PLC

7.85

6.35±0.2

3.25±0.25

8.89±0.25

∅0.46

8 PLC

∅3.00±0.1

3.30

1.30

∅3.30±0.1

DETAIL X

15.00

8.89

∅0.90

∅0.10

8 PLC

1.27 TYP.

2.54

6.35

11.43

∅3.20

∅0.10

2 PLC

RECOMMENDED PCB LAYOUT (THICKNESS: 1.6mm)

DIMENSION TOLERANCE: (1 PLC: ±0.1 2PLC: ±0.05)

NOTE:

- MATERIAL:
HOUSING: THERMOPLASTIC, UL94V-0, COLOR: BLACK.
CONTACT: PHOSPHOR BRONZE, THICKNESS: 0.46mm.
- FINISH:
CONTACT: GOLD PLATED (SEE TABLE) OVER 50u" MIN.
NICKEL UNDERPLATED ALL OVER.
- NET WIGHT: 3g.

⚠ OBSOLETE PARTS: OBSOLETE CIS STREAMLINING PER D.RENAUD/D.SINISI

| | | | |
|---------------|-------|---------------------|-------------|
| ⚠ OBSOLETE | 10P8C | 50μ" | 1470648-4- |
| | | 30μ" | 1470648-3- |
| | | 15μ" | 1470648-2- |
| | | 6μ" | 1470648-1- |
| | RJ45 | MIN. GOLD THICKNESS | PART NUMBER |

| | | | | | | | | | | | | | | | | |
|--|--------|--------------------------------|--|--------------------|-------------------------|-------|--------|-------|--------|-------|-----|--------|------|---------------------------|--|---------------|
| THIS DRAWING IS A CONTROLLED DOCUMENT. | | DWN S. CHIEN 17MAR2009 | Tyco Electronics Corporation Taipei, Taiwan | | | | | | | | | | | | | |
| DIMENSIONS: MM | | CHK S. CHIEN 17MAR2009 | NAME | | | | | | | | | | | | | |
| TOLERANCES UNLESS OTHERWISE SPECIFIED: | | APVD W. KODAMA 17MAR2009 | PRODUCT SPEC | | | | | | | | | | | | | |
| <table border="1"> <tbody> <tr> <td>0 PLC</td> <td>± 0.50</td> </tr> <tr> <td>1 PLC</td> <td>± 0.30</td> </tr> <tr> <td>2 PLC</td> <td>± 0.20</td> </tr> <tr> <td>3 PLC</td> <td>± 0.10</td> </tr> <tr> <td>4 PLC</td> <td>± -</td> </tr> <tr> <td>ANGLES</td> <td>± 3°</td> </tr> </tbody> </table> | | 0 PLC | ± 0.50 | 1 PLC | ± 0.30 | 2 PLC | ± 0.20 | 3 PLC | ± 0.10 | 4 PLC | ± - | ANGLES | ± 3° | QUALIFICATION TEST REPORT | | RESTRICTED TO |
| 0 PLC | ± 0.50 | | | | | | | | | | | | | | | |
| 1 PLC | ± 0.30 | | | | | | | | | | | | | | | |
| 2 PLC | ± 0.20 | | | | | | | | | | | | | | | |
| 3 PLC | ± 0.10 | | | | | | | | | | | | | | | |
| 4 PLC | ± - | | | | | | | | | | | | | | | |
| ANGLES | ± 3° | | | | | | | | | | | | | | | |
| MATERIAL SEE NOTE | | FINISH SEE NOTE | | 501-57375 | SIZE A3 | | | | | | | | | | | |
| | | WEIGHT - GRAMS | | CAGE CODE 00779 | DRAWING NO C=1470648 | | | | | | | | | | | |
| | | CUSTOMER DRAWING | | SCALE - | SHEET 1 OF 3 | | | | | | | | | | | |
| | | | | REV C1 | | | | | | | | | | | | |

AMP 1470-19 REV 31MAR2000

THIS DRAWING IS UNPUBLISHED.

RELEASED FOR PUBLICATION

AUG ,2006.

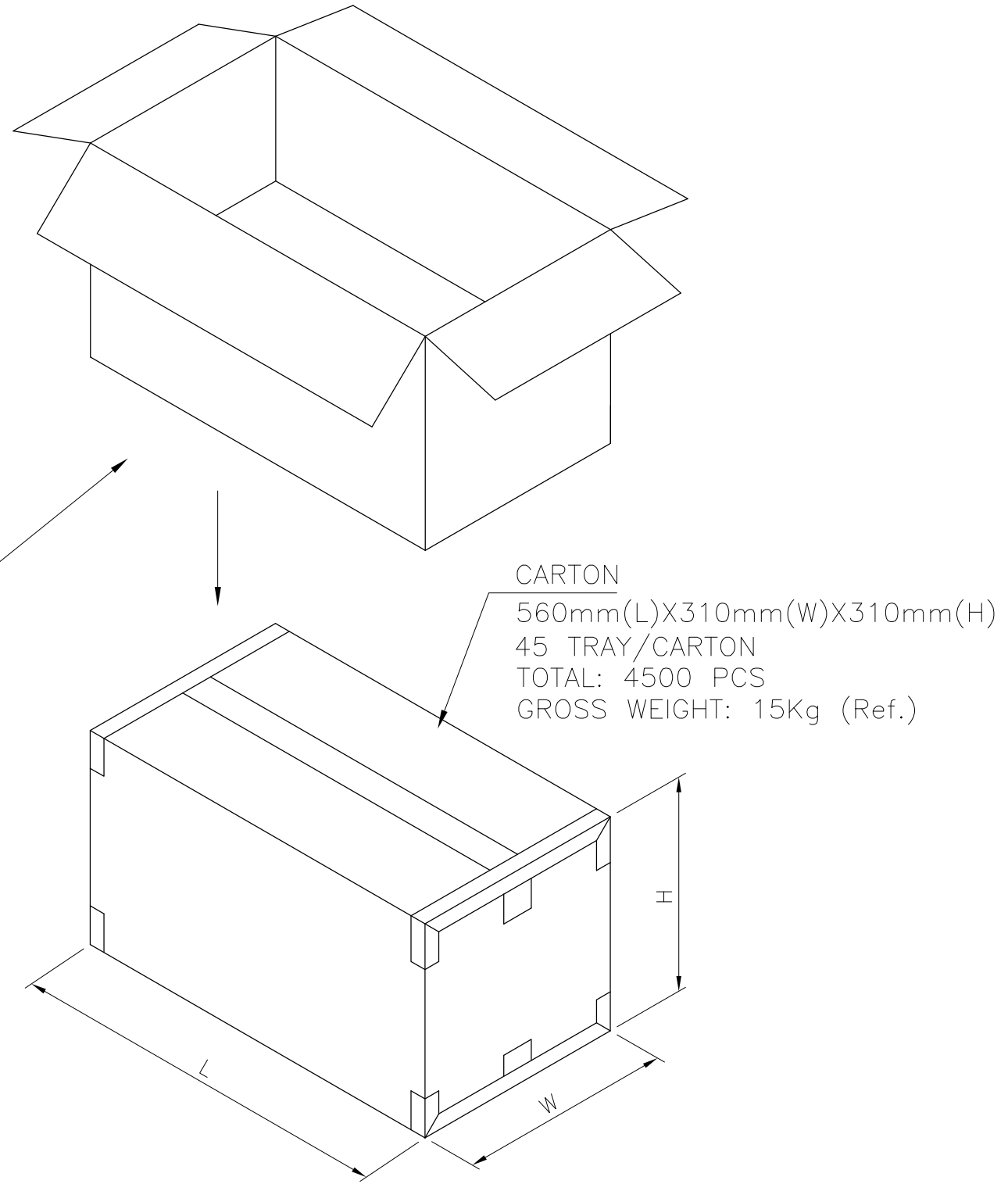
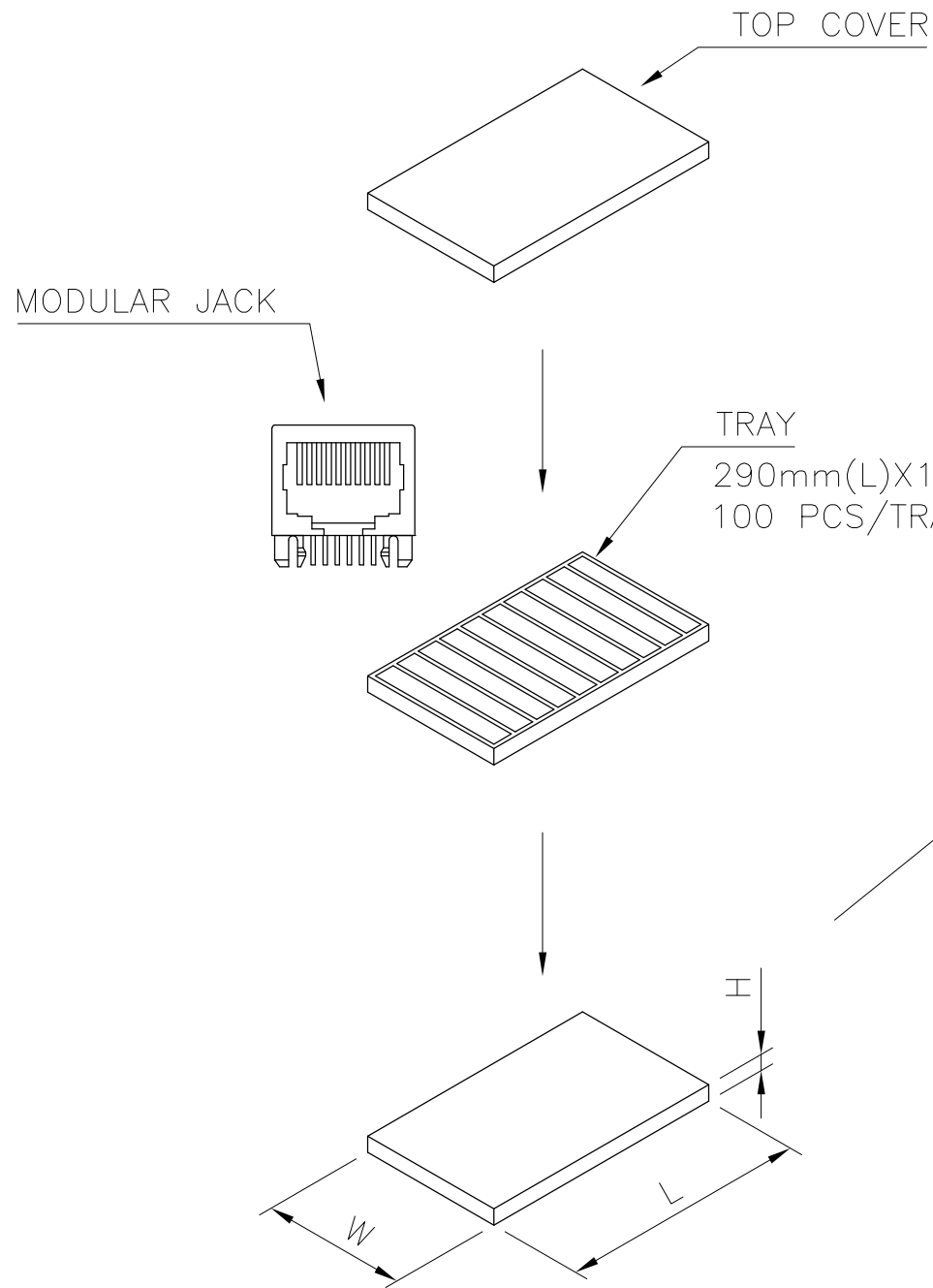
© COPYRIGHT - BY TYCO ELECTRONICS CORPORATION. ALL RIGHTS RESERVED.

LOC
DW

DIST
/

REVISIONS

| P | LTR | DESCRIPTION | DATE | DWN | APVD |
|---|-----|--------------|------|-----|------|
| | | SEE SHEET 1. | | | |



| | | | | | |
|--|--|------------------|--|-----------|------------|
| THIS DRAWING IS A CONTROLLED DOCUMENT. | | DWN | Tyco Electronics Corporation Taipei, Taiwan | | |
| DIMENSIONS: MM | | CHK | NAME | | |
| TOLERANCES UNLESS OTHERWISE SPECIFIED: | | APVD | MODULAR JACK, RJ45, LOW PROFILE, SIDE ENTRY. | | |
| 0 PLC ± - | | PRODUCT SPEC | SIZE | CAGE CODE | DRAWING NO |
| 1 PLC ± - | | APPLICATION SPEC | A3 | 00779 | C=1470648 |
| 2 PLC ± - | | WEIGHT | RESTRICTED TO | | |
| 3 PLC ± - | | | - | | |
| 4 PLC ± - | | CUSTOMER DRAWING | SCALE | SHEET | REV |
| ANGLES ± - | | | - | 3 OF 3 | C1 |
| FINISH | | | | | |
| MATERIAL | | | | | |