

316836-1 ✓ ACTIVE

AMP | Multilock Connector System

TE Internal #: 316836-1

Automotive Terminals, Receptacle, Mating Tab Width 1 mm [.039 in], Tab Thickness .64 mm [.025 in], 22 – 18 AWG Wire Size, Multilock Connector System

[View on TE.com >](#)



Terminals & Splices > Automotive Terminals > MULTILOCK, RECEPTACLE AND TAB



Terminal Type: **Receptacle**

Mating Tab Width: **1 mm [.039 in]**

Mating Tab Thickness: **.64 mm [.025 in]**

Terminal Transmits: **0 – 24 A (Low Power)**

Wire Size: **22 – 18 AWG**

[All MULTILOCK, RECEPTACLE AND TAB \(136\)](#)

Features

Product Type Features

Receptacle Style	180°
Sealable	No
Primary Locking Feature	Clean Body

Contact Features

Contact Size	1mm
Contact Fabrication	Stamped & Formed
Wire Contact Termination Area Plating Material	Tin
Crimp Type	F-Crimp
Terminal Type	Receptacle
Mating Tab Width	1 mm [.039 in]
Mating Tab Thickness	.64 mm [.025 in]
Interface Plating	Tin (Sn)

Termination Features

Termination Method to Wire & Cable	Crimp
Product Terminates To	Wire

Dimensions



Compatible Insulation Diameter Range	1.1 – 2.1 mm [.043 – .083 in]
Wire Size	.3 – .85 mm ²
Wire Size Search	18 AWG, 19 AWG, 20 AWG, 21 AWG, 22 AWG

Usage Conditions

Insulation Option	Uninsulated
Operating Temperature (Max)	80 °C, 85 °C, 90 °C, 100 °C, 105 °C [176 °F][185 °F][194 °F][212 °F][221 °F]
Operating Temperature Range	-30 – 105 °C [-22 – 221 °F]

Packaging Features

Packaging Quantity	6000
Packaging Method	Reel

Other

Terminal Transmits	0 – 24 A (Low Power)
--------------------	----------------------

Product Compliance

[For compliance documentation, visit the product page on TE.com>](#)

EU RoHS Directive 2011/65/EU	Compliant
EU ELV Directive 2000/53/EC	Compliant
China RoHS 2 Directive MIIT Order No 32, 2016	No Restricted Materials Above Threshold
EU REACH Regulation (EC) No. 1907/2006	Current ECHA Candidate List: JUNE 2023 (235) Candidate List Declared Against: JAN 2023 (233) Does not contain REACH SVHC
Halogen Content	Low Halogen - Br, Cl, F, I < 900 ppm per homogenous material. Also BFR/CFR/PVC Free
Solder Process Capability	Not applicable for solder process capability

Product Compliance Disclaimer

This information is provided based on reasonable inquiry of our suppliers and represents our current actual knowledge based on the information they provided. This information is subject to change. The part numbers that TE has identified as EU RoHS compliant have a maximum concentration of 0.1% by weight in homogenous materials for lead, hexavalent chromium, mercury, PBB, PBDE, DBP, BBP, DEHP, DIBP, and 0.01% for cadmium, or qualify for an exemption to these limits as defined in the Annexes of Directive 2011/65/EU (RoHS2). Finished electrical and electronic equipment products will be CE marked as required by Directive 2011/65/EU. Components may not be CE marked. Additionally, the part numbers that TE has identified as EU ELV compliant have a maximum concentration of 0.1% by weight in homogenous materials for lead, hexavalent chromium, and mercury, and 0.01% for cadmium, or qualify for an exemption to these limits as defined in the Annexes of Directive 2000/53/EC (ELV). Regarding the REACH Regulation, the information TE provides on SVHC in articles for this part number is based on the latest European Chemicals Agency (ECHA) 'Guidance on

requirements for substances in articles' posted at this URL: <https://echa.europa.eu/guidance-documents/guidance-on-reach>

Compatible Parts



TE Part # 2305570-1
Strip Terminal Cutter-Side Feed-No Crimp



TE Part # CAT-T319-CH8172
TH/.025 CONNECTOR SYSTEM, HOUSING



TE Part # CAT-M9194-CH8172
MULTILOCK, CONNECTOR HOUSING



TE Part # 2-2151143-1
OCEAN_2.0_APPLICATOR-S-070F070



TE Part # 2-2151143-2
OCEAN_2.0_APPLICATOR-S-070F070



TE Part # 2063850-1
CCII 040III UNSEALED CONT 22-18 ASSY



TE Part # 2151143-1
OCEAN_2.0_APPLICATOR-S-070F070



TE Part # 2151143-2
OCEAN_2.0_APPLICATOR-S-070F070



TE Part # 7-2151143-1
OCEAN_2.0_APPLICATOR-S-070F070



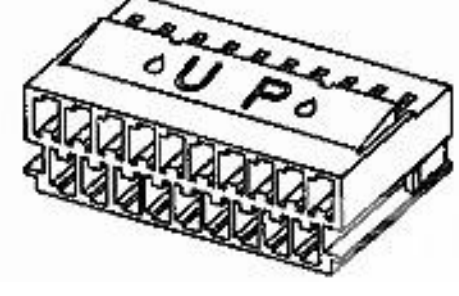
TE Part # 7-2151143-2
OCEAN_2.0_APPLICATOR-S-070F070



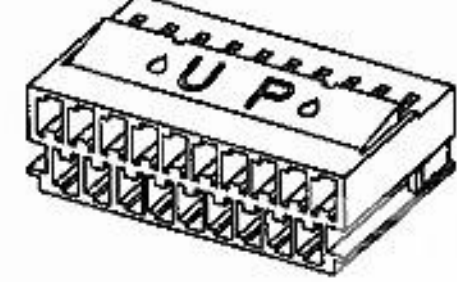
TE Part # 7-2151143-7
OCEAN_2.0_SPARE_PART_KIT-070F070F



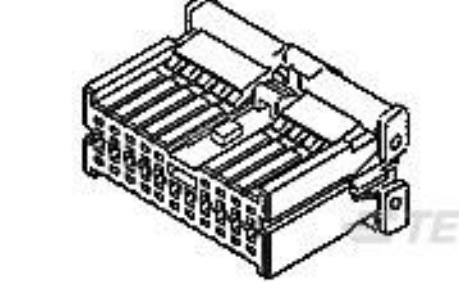
TE Part # 353664-4
LIF CONN. SUB PLUG 7P GREEN



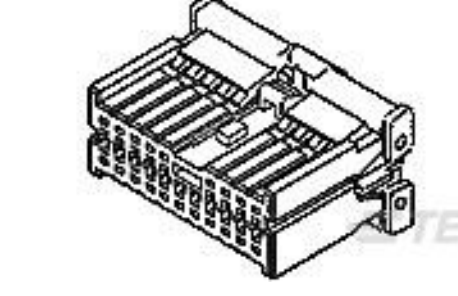
TE Part # 353675-7
LIF CONN. SUB PLUG 19P YELLOW



TE Part # 353675-8
LIF CONN. SUB PLUG 19P ORANGE



TE Part # 936475-7
040 III PLUG ASSY 24P GRN



TE Part # 936475-8
040 III PLUG ASSY 24P BLU

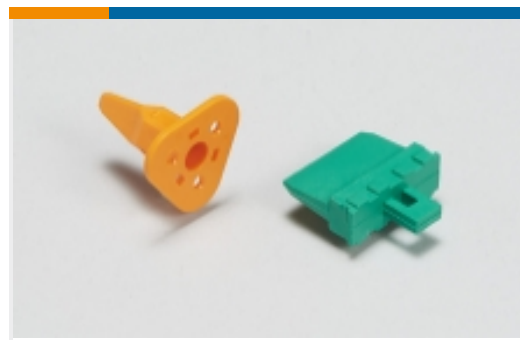
Also in the Series | Multilock Connector System



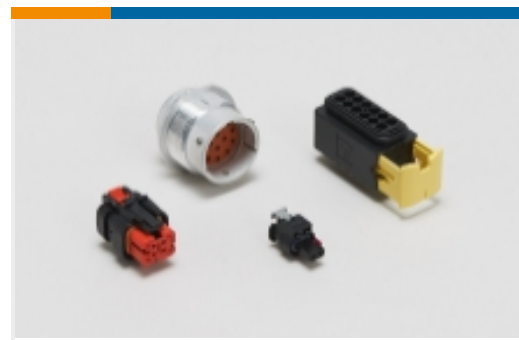
Automotive Connector Caps & Covers (17)



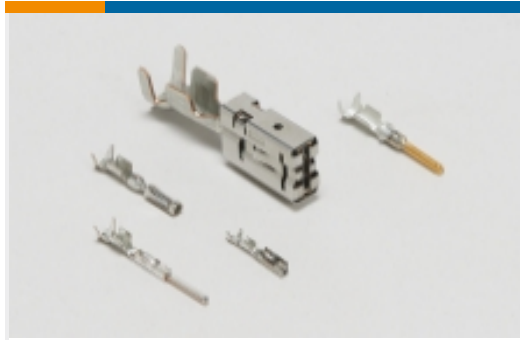
Automotive Connector EMC Shielding (1)



Automotive Connector Locks & Position Assurance(2)



Automotive Housings(603)



Automotive Terminals(141)



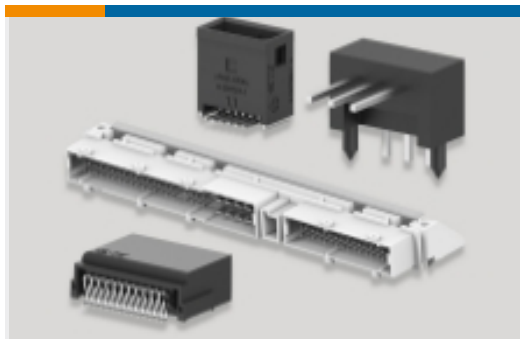
Connector Seals & Cavity Plugs(2)



Insertion & Extraction Tools(6)

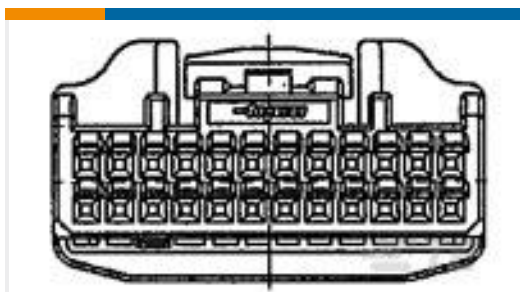


Other Automotive Connector Accessories(14)

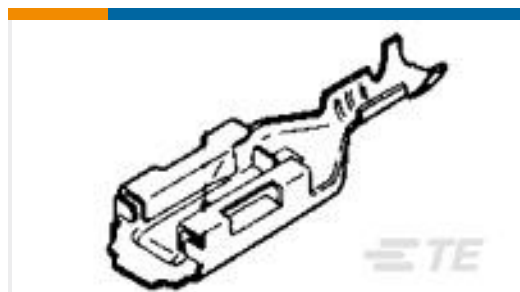


PCB Headers & Receptacles(142)

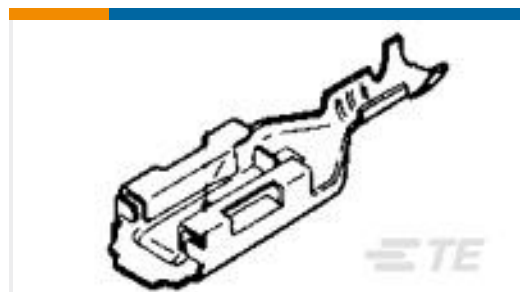
Customers Also Bought



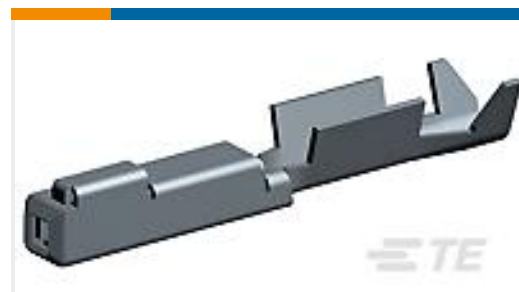
TE Part #1674312-2
0.64 III 40POS PLUG ASSY



TE Part #170454-1
PL 250 AUTOMOTIVE REC 18-14 0.40 X 21 BR



TE Part #170452-1
PL 250 AM REC 22-20 AWG 0.406 X 21 BR



TE Part #1612776-1
REC CONTACT ASSY S RANGE CLEAN



TE Part #1564760-1
10POS MIXED MQS REC COD A



TE Part #1612123-1
SQUIB FERRITE



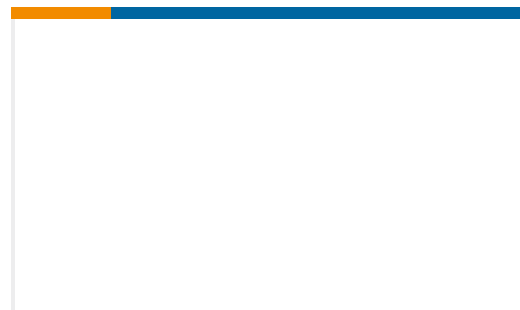
TE Part #1612122-1
SQUIB LOCKING BUTTON



TE Part #1674311-7
0.64 III RCPT 3 Serrations Pre-Tin



TE Part #CP4904-000
ES2000-NO.1-C1-0-65MM-SH



TE Part #2237152-1
0.64 III 16P PLUG ASSEMBLY

Documents

Product Drawings

040-3 REC CONT. S

English

CAD Files

3D PDF

3D

Customer View Model

[ENG_CVM_CVM_316836-1_M.2d_dxf.zip](#)

English

Customer View Model

[ENG_CVM_CVM_316836-1_M.3d_igs.zip](#)

English

Customer View Model

[ENG_CVM_CVM_316836-1_M.3d_stp.zip](#)

English

By downloading the CAD file I accept and agree to the [Terms and Conditions](#) of use.

Datasheets & Catalog Pages

MULTILOCK Connector System

English

Product Specifications

Application Specification

Japanese

Crimping .040III Unsealed Contact, Receptacle

Japanese

Crimping of 025 Receptacle Contact

Japanese

Application Specification

Japanese

Application Specification

Japanese

Crimping .040III Unsealed Contact, Receptacle

Japanese



Instruction Sheets

Instruction Sheet (non U.S.)

English

.040 III HIGH DENSITY CONNECTOR

English

Instruction Sheet (non U.S.)

English

Instruction Sheet (non U.S.)

English

.040 III HIGH DENSITY CONNECTOR

English

025/040 IMMOBILIZER CONNECTOR

Japanese

Instruction Sheet (non U.S.)

English

025/040 IMMOBILIZER CONNECTOR

Japanese

Instruction Sheet (non U.S.)

English

Instruction Sheet (non U.S.)

Japanese

025/040 I/O Connector

Japanese

Instruction Sheet (non U.S.)

Japanese

025/040 I/O Connector

Japanese

Instruction Sheet (non U.S.)

Japanese