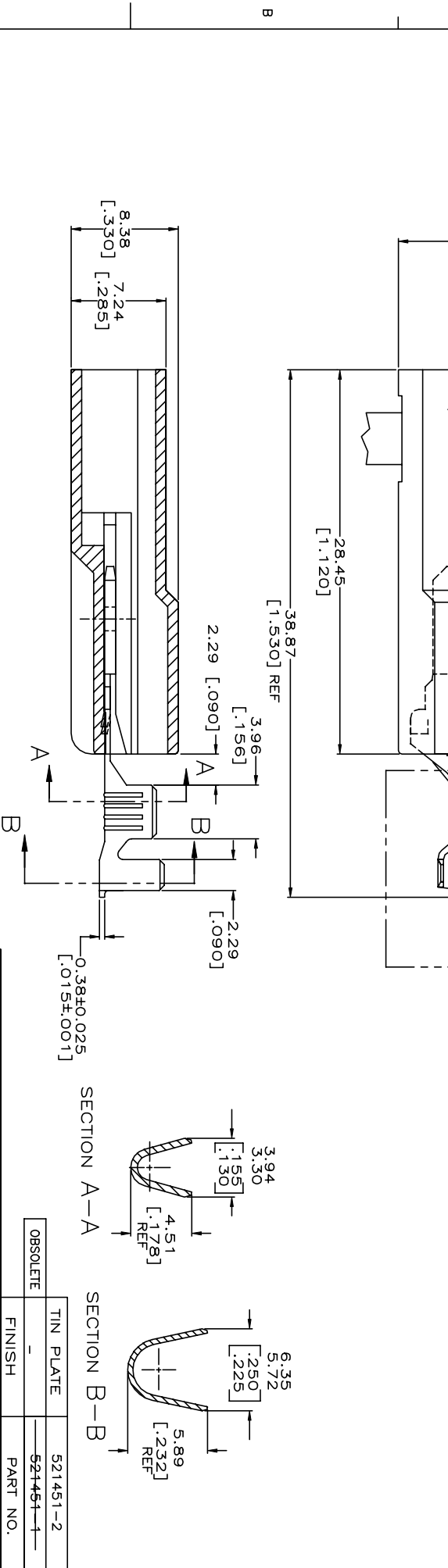
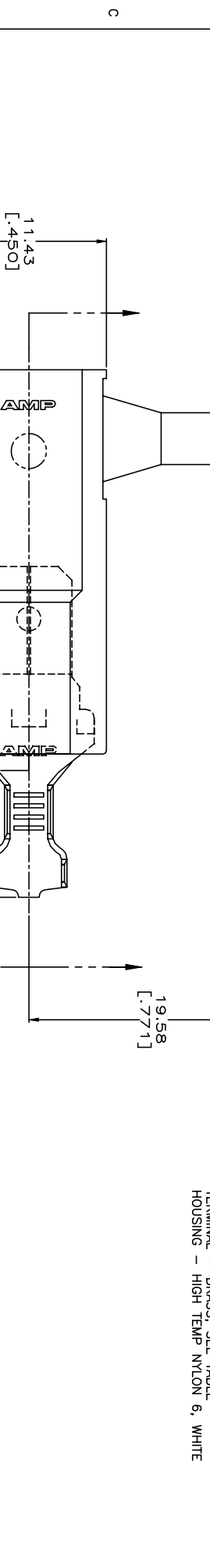
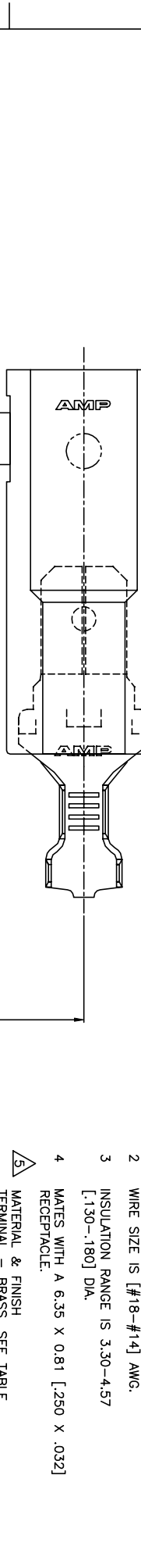


REV	DATE	DESCRIPTION	BY	CHK	APP
1					
2					
3					
4					



- 1 FASTON TAB BASE #1217166, ARE USED IN THIS PRODUCT.
- 2 WIRE SIZE IS #18-#14 AWG.
- 3 INSULATION RANGE IS 3.30-4.57 [1.30-.180] DIA.
- 4 MATES WITH A 6.35 X 0.81 [250 X .032] RECEPTACLE.

5 MATERIAL & FINISH
 TERMINAL - BRASS, SEE TABLE
 HOUSING - HIGH TEMP NYLON 6, WHITE

THIS DRAWING IS A CONTROLLED DOCUMENT.

DIMENSIONS:	UNIT:	OTHER:
0 P/C	MM (INCHES)	
1 P/C		
2 P/C		
3 P/C		
4 P/C		
5 P/C		
6 P/C		
7 P/C		
8 P/C		
9 P/C		
10 P/C		
11 P/C		
12 P/C		
13 P/C		
14 P/C		
15 P/C		
16 P/C		
17 P/C		
18 P/C		
19 P/C		
20 P/C		
21 P/C		
22 P/C		
23 P/C		
24 P/C		
25 P/C		
26 P/C		
27 P/C		
28 P/C		
29 P/C		
30 P/C		
31 P/C		
32 P/C		
33 P/C		
34 P/C		
35 P/C		
36 P/C		
37 P/C		
38 P/C		
39 P/C		
40 P/C		
41 P/C		
42 P/C		
43 P/C		
44 P/C		
45 P/C		
46 P/C		
47 P/C		
48 P/C		
49 P/C		
50 P/C		

NO.	DESCRIPTION	DATE	BY	CHK	APP
1					
2					
3					
4					
5					
6					
7					
8					
9					
10					
11					
12					
13					
14					
15					
16					
17					
18					
19					
20					
21					
22					
23					
24					
25					
26					
27					
28					
29					
30					
31					
32					
33					
34					
35					
36					
37					
38					
39					
40					
41					
42					
43					
44					
45					
46					
47					
48					
49					
50					