

1

2

3

4

5

6

7

A

A

B

B

C

C

D

D

E

E

F

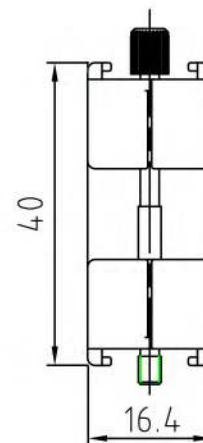
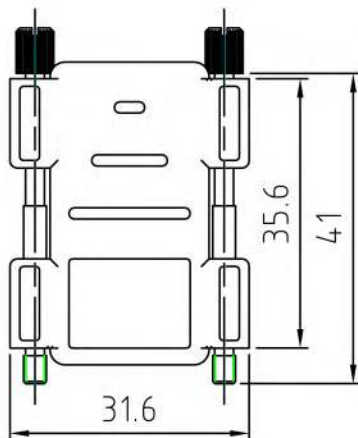
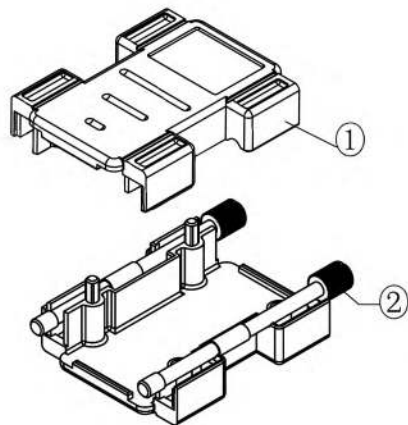
F

G

G

H

H



TECHNICAL SPECIFICATIONS

Material: ABS Plastic, UL94 V-0
 Operating Temperature: -30°C to +110°C
 Jackscrews: UNC 4-40

No. of contacts: 09-15-25

Item	QTY	Part description
1	2	Cover Halves
2	2	UNC 4-40x47 Jackscrew

RoHS compliant
 Unit: mm

Scale	Free				Date	Name	Customer-No.	
TOLERANCE					Drawn	17.08.2017	S.Bölling	
0~6	±0.10				Approved	17.08.2017	S.Bölling	
6~30	±0.20							
30~120	±0.30							
120~400	±0.50							
DIM	Tol							
Angle	±1°	Ⓞ	Drawn	17.08.2017				S.Bölling
Angle	Tol	Id.	Modification	Date				Name

ASSMANN WSW-No.
ACOV-SUB-09NB4

Drawing-No.
ASS_5245_CO rev00
 Replace Sheet 1/3

1

2

3

4

5

6

7

SV4382

1

2

3

4

5

6

7

A

A

B

B

C

C

D

D

E

E

F

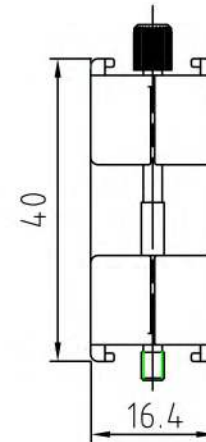
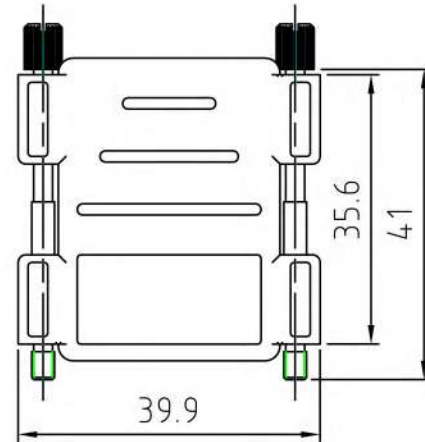
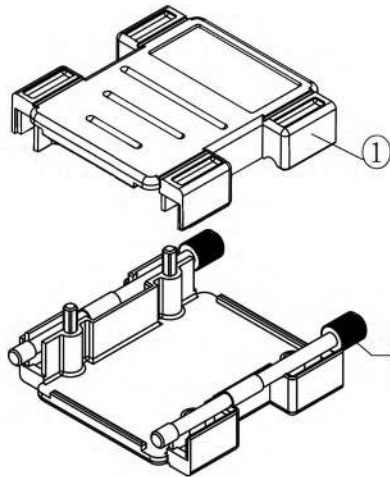
F

G

G

H

H



TECHNICAL SPECIFICATIONS

Material: ABS Plastic, UL94 V-0
 Operating Temperature: -30°C to +110°C
 Jackscrews: UNC 4-40

No. of contacts: 09-15-25

Item	QTY	Part description
1	2	Cover Halves
2	2	UNC 4-40x47 Jackscrew

RoHS compliant
 Unit: mm

Scale	Free				Date	Name	Customer-No.	
TOLERANCE					Drawn	17.08.2017	S.Bölling	
0~6	±0.10				Approved	17.08.2017	S.Bölling	
6~30	±0.20							
30~120	±0.30							
120~400	±0.50							
DIM	Tol							
Angle	±1°	Ⓢ	Drawn	17.08.2017				S.Bölling
Angle	Tol	Id.	Modification	Date				Name

Customer-No.	
ASSMANN WSW-No. ACOV-SUB-15NB4	
Drawing-No. ASS_5245_CO	rev00
Replace	Sheet 2/3

1

2

3

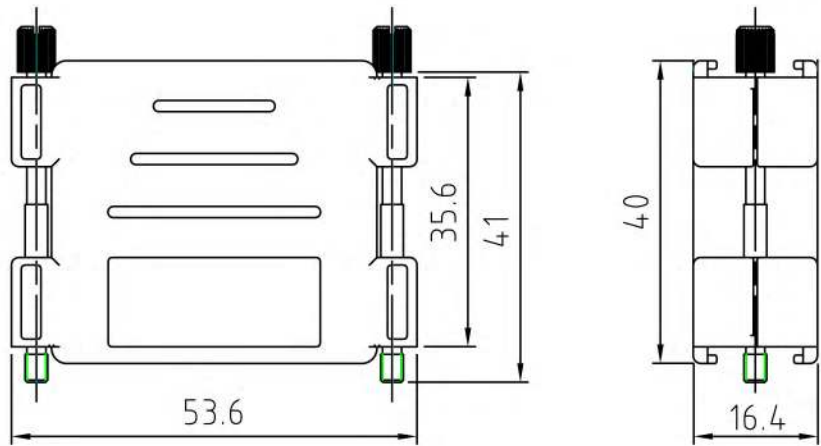
4

5

6

7

SV4382



TECHNICAL SPECIFICATIONS
 Material: ABS Plastic, UL94 V-0
 Operating Temperature: -30°C to +110°C
 Jackscrews: UNC 4-40
 No. of contacts: 09-15-25

Item	QTY	Part description
1	2	Cover Halves
2	2	UNC 4-40x47 Jackscrew

RoHS compliant
 Unit: mm

Scale	Free				Date	Name	Customer-No.	
TOLERANCE					Drawn	17.08.2017	S.Bölling	
0~6	±0.10				Approved	17.08.2017	S.Bölling	
6~30	±0.20							
30~120	±0.30							
120~400	±0.50							
DIM	Tol							
Angle	±1°	Ⓢ	Drawn	17.08.2017				S.Bölling
Angle	Tol	Id.	Modification	Date				Name

ASSMANN WSW-No. ACOV-SUB-25NB4	
Drawing-No. ASS_5245_CO	rev00
Replace	Sheet 3/3