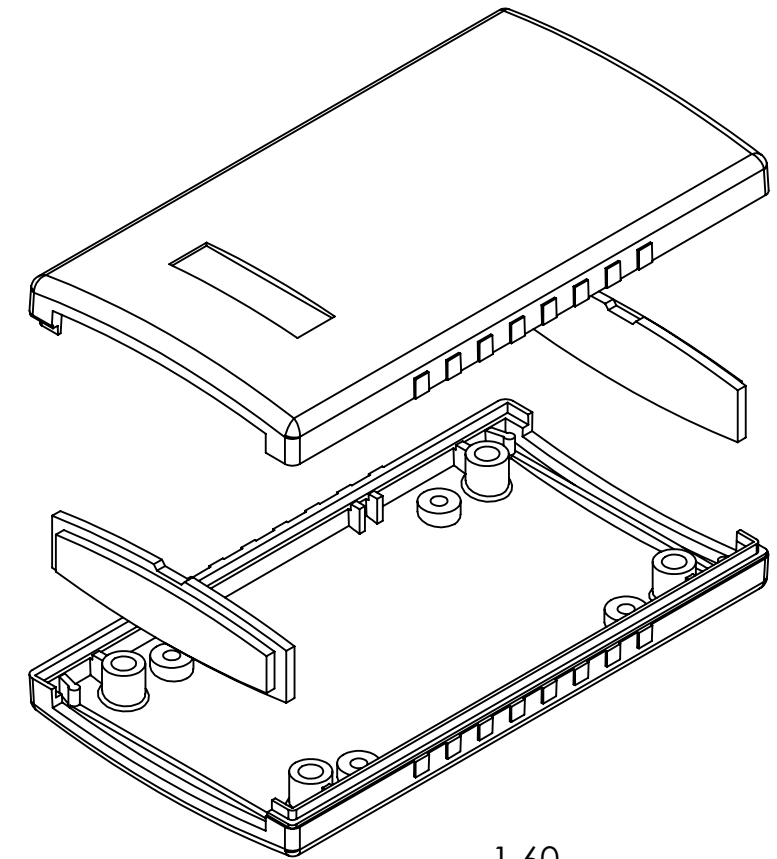
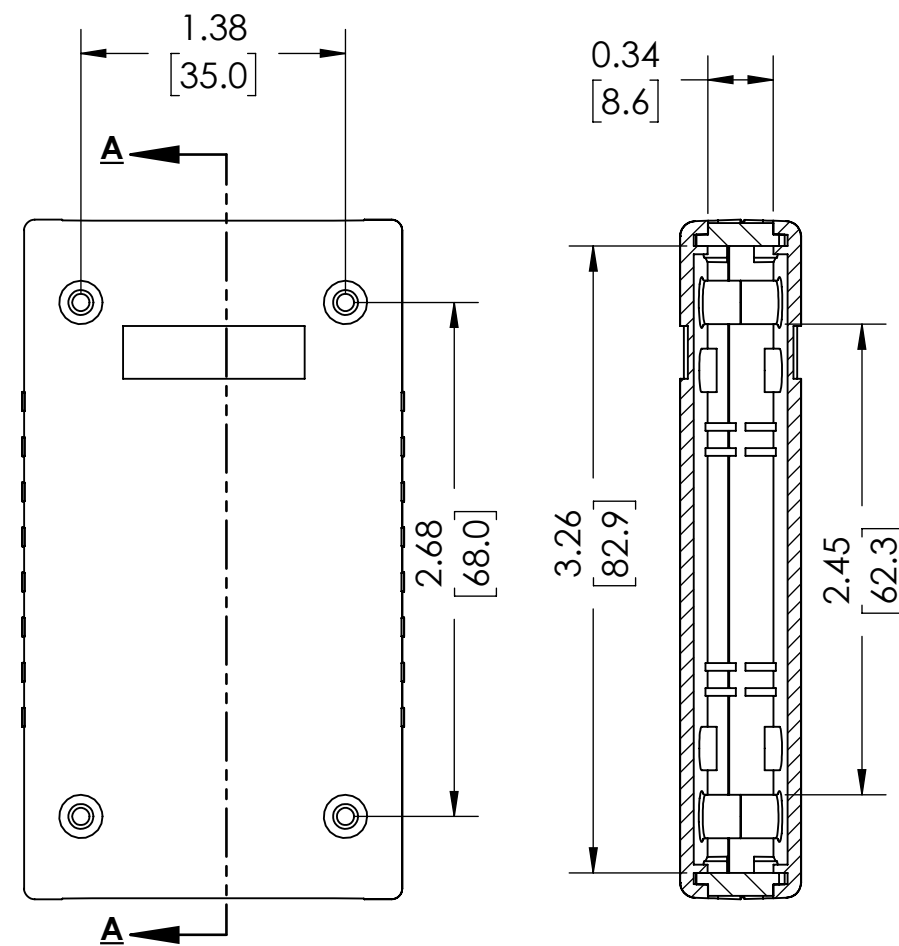
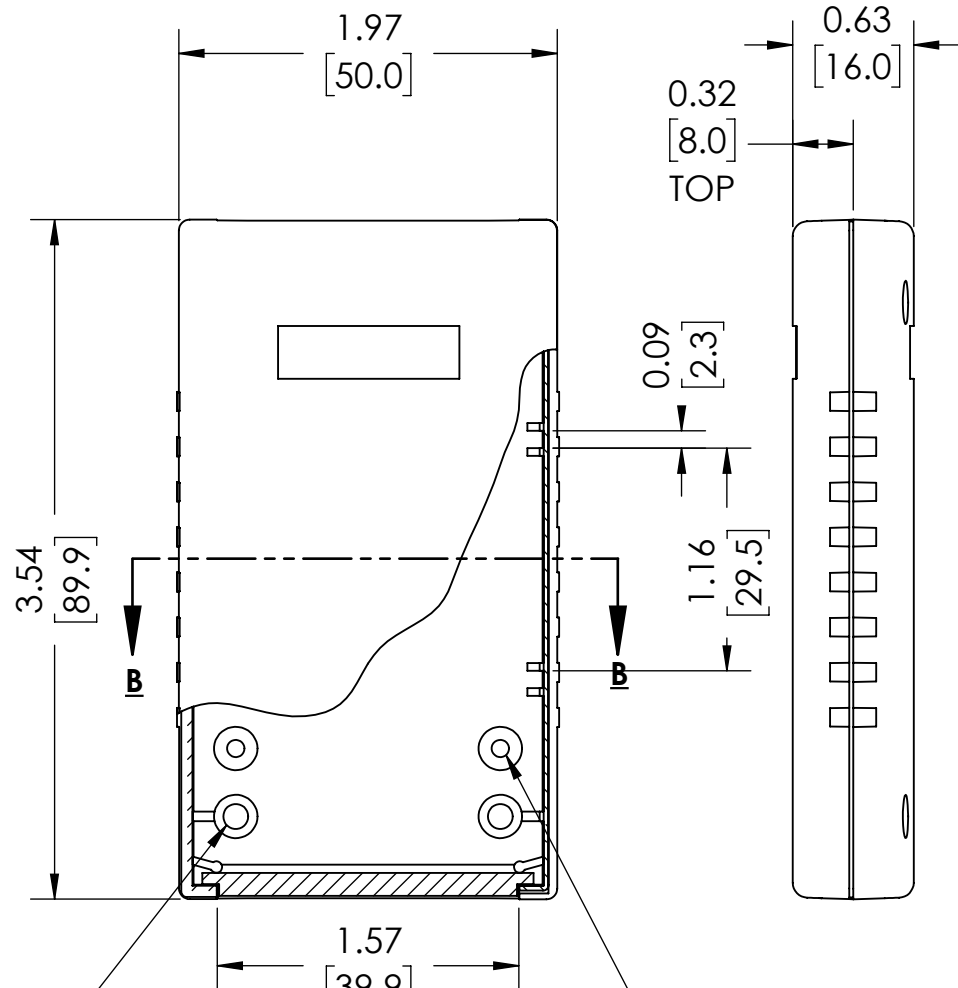
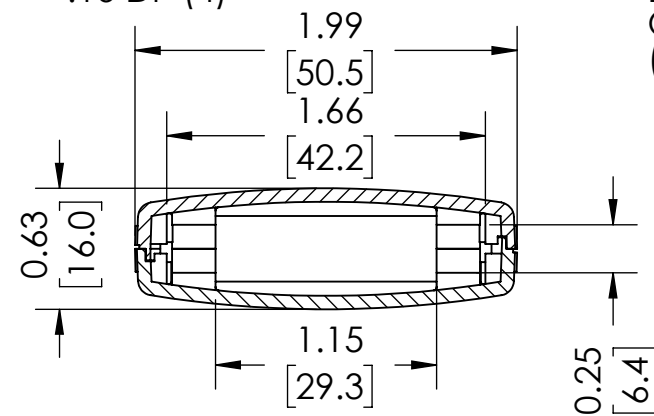


DRAWING FOR REFERENCE

WE RESERVE THE RIGHT TO MAKE CHANGES TO OUR STANDARD PRODUCTS. PLEASE CONSULT WITH BUD INDUSTRIES PRIOR TO USING THIS DRAWING FOR DESIGN PURPOSE.

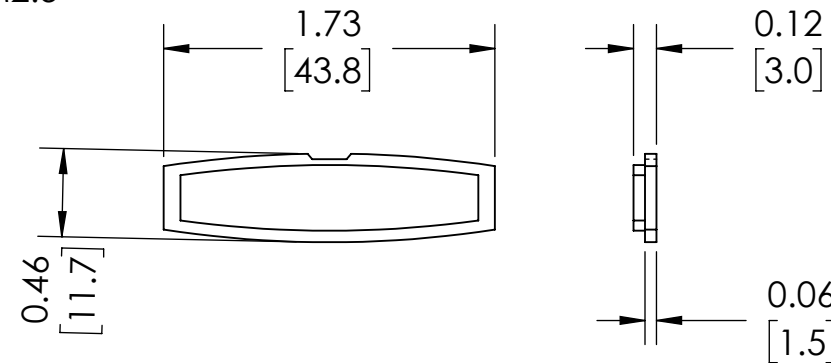


.24 DIA BOSS WITH .09 DIA HOLE X .16 DP (4)
 .22 DIA BOSS WITH .09 DIA HOLE X .16 DP MOUNTING BOSSES (4) SEE PCB BELOW FOR LOCATIONS - USE M2.5 OR #4 SHEET METAL SCREW (NOT SUPPLIED)

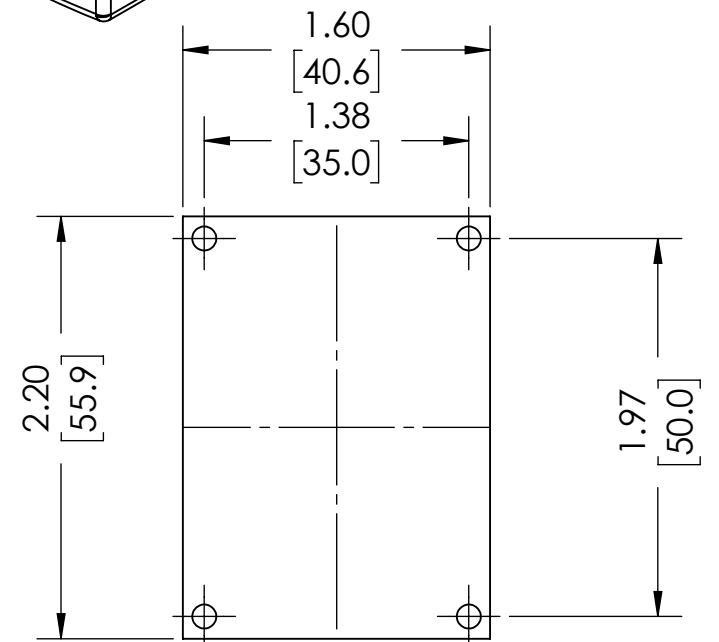


SECTION B-B
SCALE 1 : 1

SECTION A-A
SCALE 1 : 1



PANEL (2) PCS



SUGGESTED PCB LAYOUT

- NOTE:
- FOUR (4X) M3 X 11mm [0.43"] SCREWS SUPPLIED FOR ASSEMBLY
 - ALL OUTSIDE AND INSIDE LARGE SURFACES FOLLOW CONTOUR OF MAIN FACE

FOR ADDITIONAL PRODUCT INFORMATION AND ACCESSORIES VISIT WWW.BUDIND.COM

MATERIAL AND FINISH:
 NO SUFFIX - DARK GRAY ABS COVERS WITH LIGHT GRAY ABS END PANELS. UL94V-0 FLAMMABILITY RATING.
 SUFFIX -LG - LIGHT GRAY ABS COVERS WITH DARK GRAY ABS END PANELS. UL94-HB FLAMMABILITY RATING.