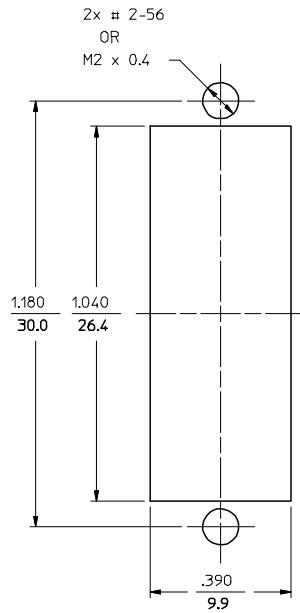
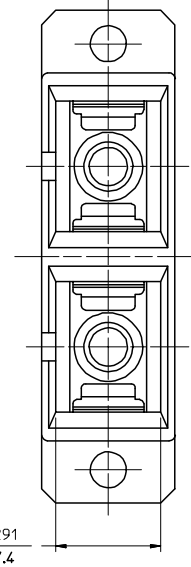
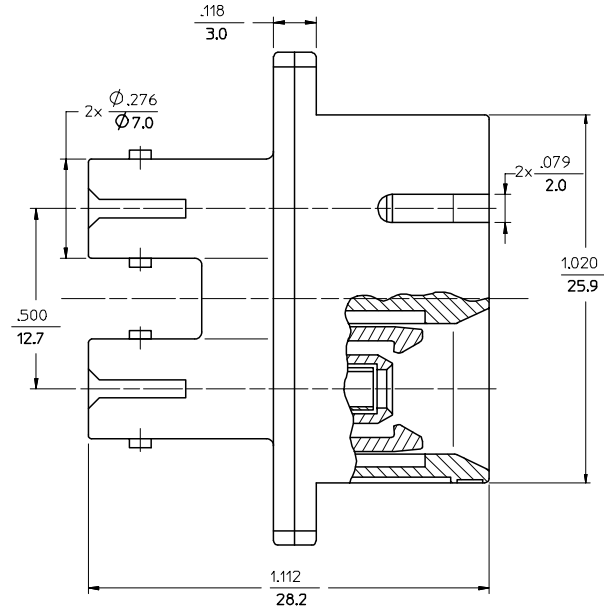
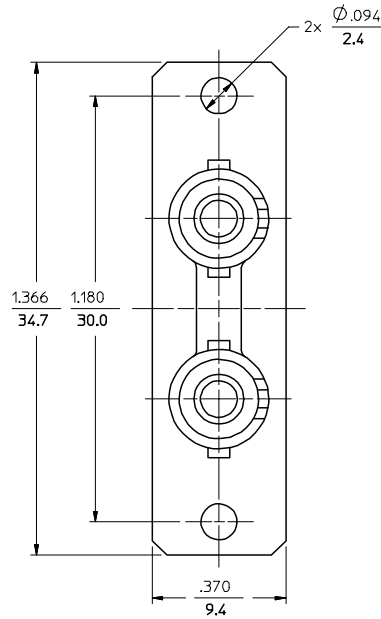


P/N OF ADAPTER	MATERIAL OF SLEEVE	TYPE	COLOR
106166-1000	ZR	SINGLE MODE	BLUE
106167-1000	PHOSPHOR BRONZE		
106166-1010	ZR	MULTIMODE	BEIGE
106167-1010	PHOSPHOR BRONZE		
106166-1030	ZR	MULTIMODE	BLACK
106167-1030	PHOSPHOR BRONZE		



RECOMMENDED MOUNTING PATTERN



NOTE:  
DUST CAPS ARE NOT SHOWN BUT INCLUDED.

ENTER DESCRIPTION EC NO: MF2006-0237 DRAWN BY: JGIBLIN CHKD: JGIBLIN APPR: JGIBLIN DATE: 2005/11/29 DATE: 2005/11/29	QUALITY SYMBOLS ▽=0 ▽=0	GENERAL TOLERANCES (UNLESS SPECIFIED)		DIMENSION STYLE IN/MM		SCALE 4:1	DESIGN UNITS INCH	THIRD ANGLE PROJECTION			
		4 PLACES ± --- ± ---	3 PLACES ± --- ± ---	2 PLACES ± --- ± ---	1 PLACE ± --- ± ---	DRAWN BY RPACIFICI	DATE 2005/10/11	TITLE DUPLEX ADAPTER (SC-D/ST)			
		ANGULAR ±1/2°				CHECKED BY	DATE	APPROVED BY			
		DRAFT WHERE APPLICABLE MUST REMAIN WITHIN DIMENSIONS				MATERIAL NO. SEE TABLE	DATE	DOCUMENT NO. SD-10616X-10X0	SHEET NO. 1 OF 01		