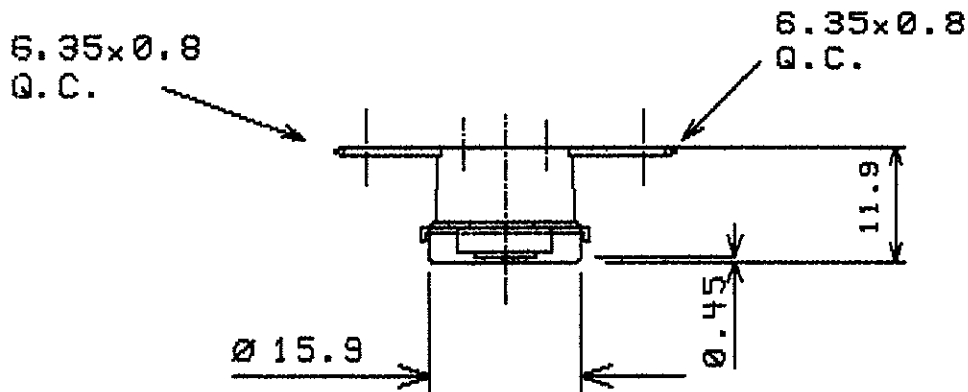
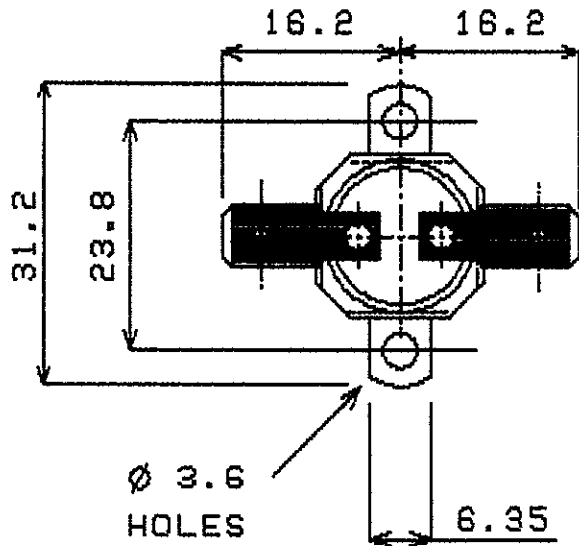


DO NOT SCALE ALL DIMENSIONS ARE FOR REFERENCE ONLY



OPERATING CRITERIA

VOLTS; 240 AMPS; 10 HZ;

OPERATING TEMPS. DEG.C

OPEN; 55 ± 3
CLOSE; 70 ± 5

NOTE: ORIENTATION OF BRACKET IS NOT FIXED

CODING REQUIREMENTS

COLOUR; LASER CODE
F70C RP 9100 444 XXX

CAP; B200 MAT'L: ALUMINIUM
BRK'T; B2036 MAT'L: STEEL
..... PLATING; NICKEL
TERMINAL; T148 T148
MATERIAL; BRASS BRASS

ISSUE	A	B							
MOD No	3052	3350							
MTH/YR	3/97	7/98							

ELMWOOD DEVICE & UNIQUE PART No.	ELMWOOD DRG No.	ISSUE
2455RP-9100-444	965212	B



ELMWOOD
SENSORS LTD

DATE OF ISSUE STAMP

JUL 1998