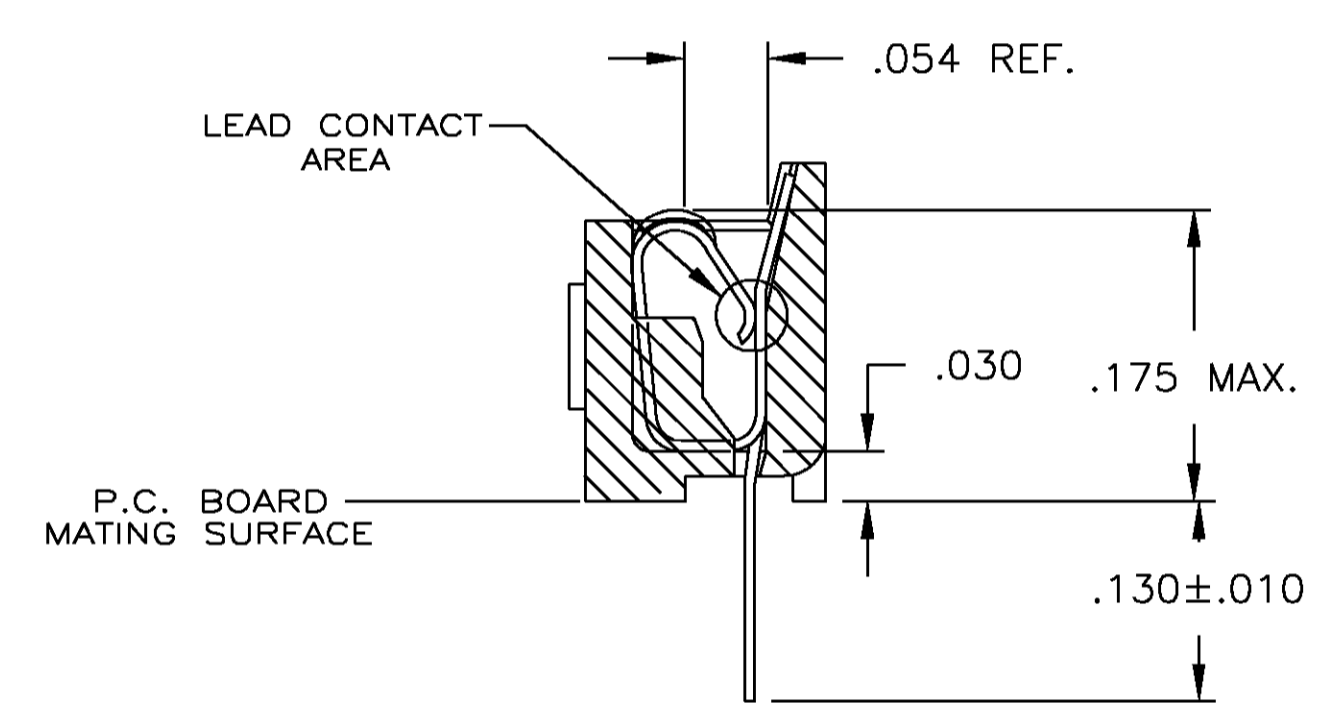
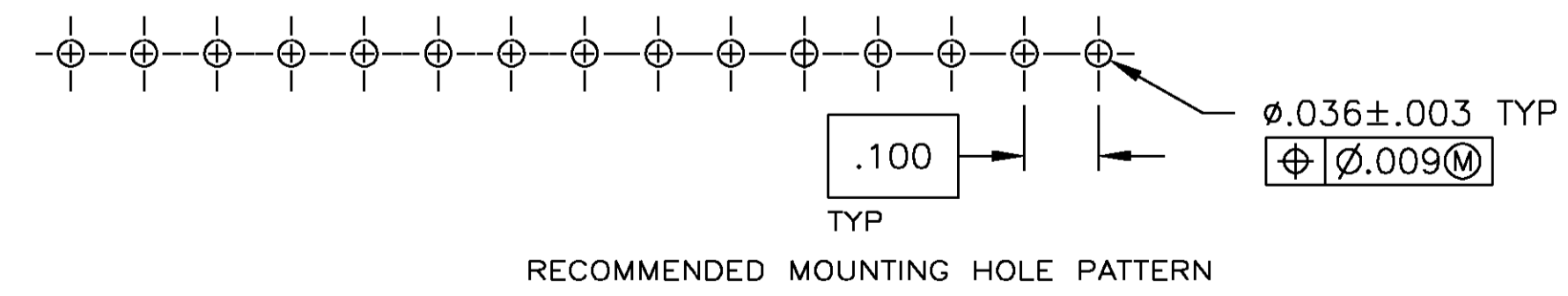
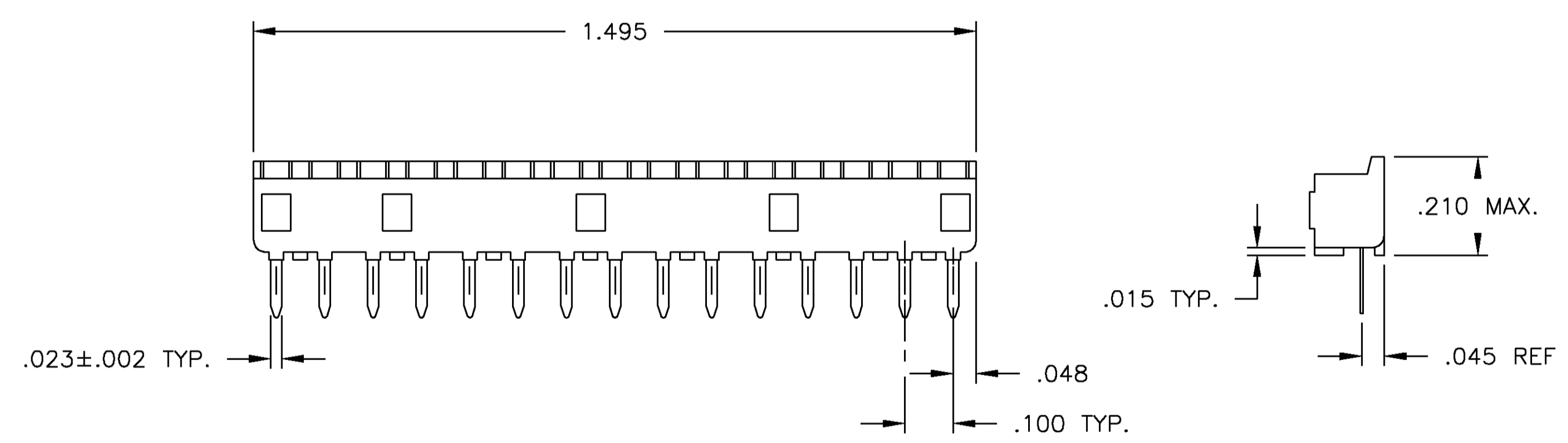


SECTION A-A
ROTATED 90° CW
SCALE 10:1
FOR -6, -7 & -8 ONLY

- 1. RECEPTACLE ACCEPTS AN .008-.014 THK. I.C. LEAD.
- 2. TWO .000030 MIN.THK.GOLD STRIPES IN CONTACT AREA, TIN-LEAD(93-7) ON CONTACT LEGS, BALANCE OF CONTACT NICKEL PLATED.
- 3. TWO .000015 MIN.THK.GOLD STRIPES IN CONTACT AREA, TIN-LEAD(93-7) ON CONTACT LEGS, BALANCE OF CONTACT NICKEL PLATED.



SECTION A-A
ROTATED 90° CW
SCALE 10:1
FOR -1, -2 & -3 ONLY



CONTACT FINISH	CONTACT MAT'L	HOUSING MATERIAL	PART NO.	
TINNED	PHOS.BRZ.	GLASS-FILLED THERMOPLASTIC, 94V-0, BLACK	643647-8	
OBSOLETE	BE.CU.	GLASS-FILLED THERMOPLASTIC, 94V-0, BLACK	643647-7	
TINNED	BE.CU.	GLASS-FILLED THERMOPLASTIC, 94V-0, BLACK	643647-6	
SUPSD BY 643647-2	PHOS.BRZ.	GLASS-FILLED THERMOPLASTIC, 94V-0, BLACK	643647-4	
OBSOLETE	TINNED	PHOS.BRZ.	GLASS-FILLED THERMOPLASTIC, 94V-0, BLACK	643647-3
OBSOLETE	BE.CU.	GLASS-FILLED THERMOPLASTIC, 94V-0, BLACK	643647-2	
OBSOLETE	BE.CU.	GLASS-FILLED THERMOPLASTIC, 94V-0, BLACK	643647-1	

THIS DRAWING IS A CONTROLLED DOCUMENT.		DRN M.CYRUS 8-1-84	AMP Tyco Electronics Corporation Harrisburg, PA 17105
		OR N.JONES 7-3-84	
		APVD J.GRAY 7-10-84	SOCKET ASSY, SIP, 15 POS, DIPLOMATE DL
		PRODUCT SPEC 108-1066	
		APPLICATION SPEC 114-1049	SIZE A1 CASE CODE 00779 DRAWING NO. 643647
		WEIGHT	
MATERIAL SEE TABLE		FINISH SEE TABLE	CUSTOMER DRAWING
		RESTRICTED TO	SCALE 5:1 SHEET 1 OF 1 REV K