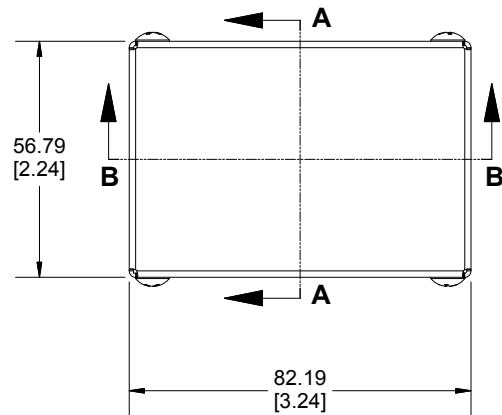
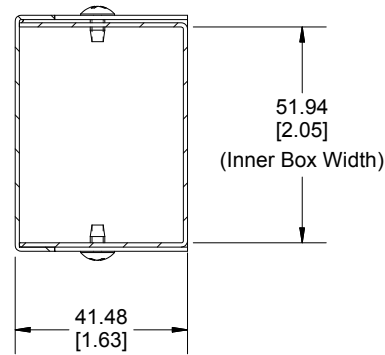


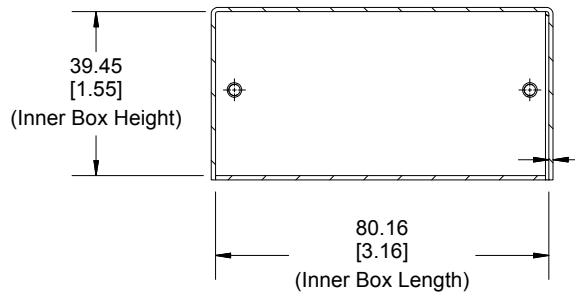
Top View of Assembly



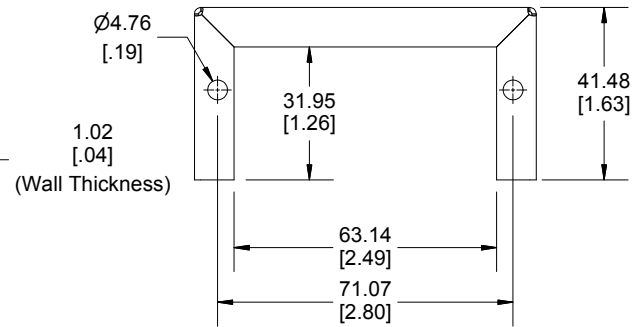
**SECTION A-A
End View of Assembly**



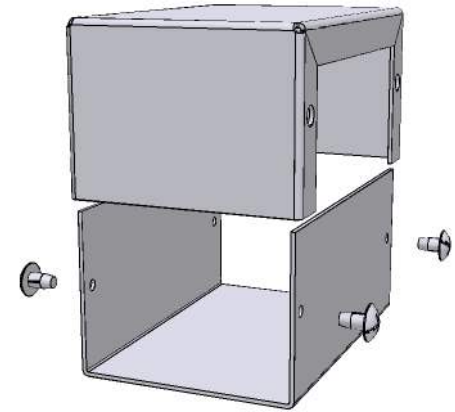
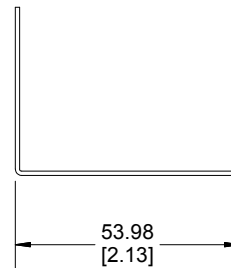
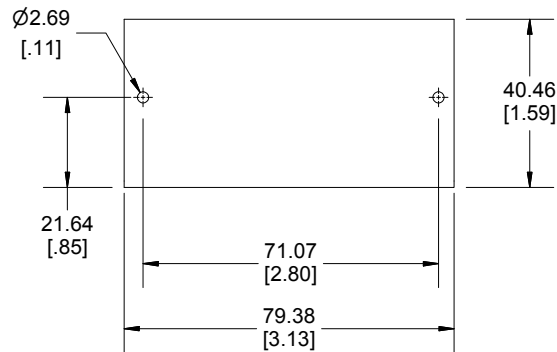
**SECTION B-B
Side View of Assembly**



Cover



Bottom



Enclosures can be Factory Modified (Milling, Drilling, Printing etc.)
Contact Factory mjm@hammondmfg.com for quotes
Solid models of this enclosure available in STEP or IGES.

NOTE

Purchased assembly includes bottom, cover and 4 cover screws.
Bottom and cover are made from 0.04" Aluminum Panels.

PART NUMBERS

| 1411D Enclosure | |
|--|--------|
| Natural Finish Enclosure | 1411DU |
| ASA 61 Grey Enclosure | 1411D |
| ACCESSORIES | |
| Plated Cover Screws (Pkg 6) [6-32 x 1/4" Self-Tapping Screws] | 1421J6 |

**HAMMOND
MANUFACTURING™**

1411D

www.hammondmfg.com

Dimensions:
mm
[inches]