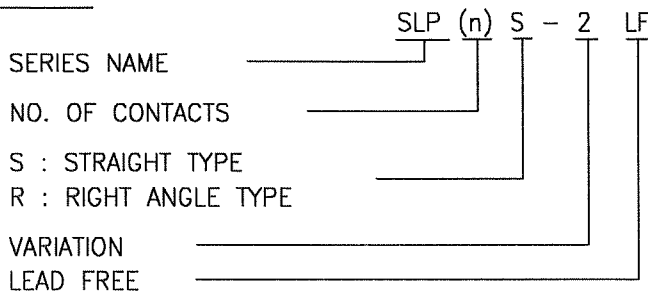


CAT. NO. & DIMENSIONS

NO. OF CONTACTS	STRAIGHT TYPE CAT. NO.	RIGHT ANGLE TYPE CAT. NO.	DIMENSIONS(NOTE1)	
			A ±0.3	B ±0.1
4	SLP 4 S - 2 LF	SLP 4 R - 2 LF	11.15	6.45
5	SLP 5 S - 2 LF	SLP 5 R - 2 LF	12.40	7.70
6	SLP 6 S - 2 LF	SLP 6 R - 2 LF	13.65	8.95
7	SLP 7 S - 2 LF	SLP 7 R - 2 LF	14.90	10.20
8	SLP 8 S - 2 LF	SLP 8 R - 2 LF	16.15	11.45
9	SLP 9 S - 2 LF	SLP 9 R - 2 LF	17.40	12.70
10	SLP 10S - 2 LF	SLP 10R - 2 LF	18.65	13.95
11	SLP 11S - 2 LF	SLP 11R - 2 LF	19.90	15.20
12	SLP 12S - 2 LF	SLP 12R - 2 LF	21.15	16.45
13	SLP 13S - 2 LF	SLP 13R - 2 LF	22.40	17.70
14	SLP 14S - 2 LF	SLP 14R - 2 LF	23.65	18.95
15	SLP 15S - 2 LF	SLP 15R - 2 LF	24.90	20.20
16	SLP 16S - 2 LF	SLP 16R - 2 LF	26.15	21.45
17	SLP 17S - 2 LF	SLP 17R - 2 LF	27.40	22.70
18	SLP 18S - 2 LF	SLP 18R - 2 LF	28.65	23.95
19	SLP 19S - 2 LF	SLP 19R - 2 LF	29.90	25.20
20	SLP 20S - 2 LF	SLP 20R - 2 LF	31.15	26.45

CAT. NO.



NOTES

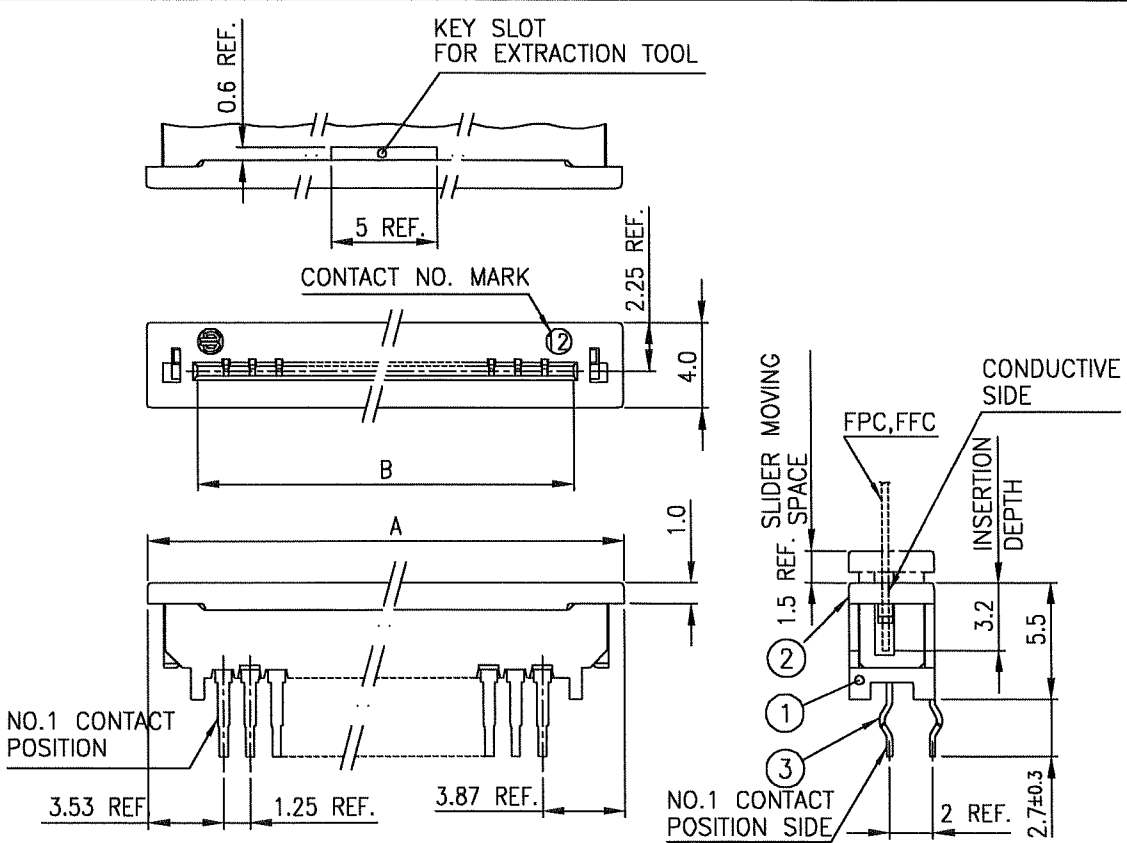
1) SEE PART DRAWINGS FOR DIMENSIONS A & B

mat'l. code				surface <input checked="" type="checkbox"/> ISO 1302 <input checked="" type="checkbox"/> ISO 406 <input checked="" type="checkbox"/> ISO 1101		projection		product family 58KF		CODE JP	
ltr		ecn no		dr		date		tolerances unless otherwise specified		title	
A		J05-0713		H.T.		10/21/05		angles		CAT.No. TABLE FOR	
B		J06-0504		H.T.		11/29/06		linear		1.25mm SPACING CONNECTOR	
								mm		(Cat. No. SLP__R/S-2LF)	
								scale X		dwg no sheet 1 of 1 size	
				dr <i>H. S. D. S.</i>		11/29/06				JSA 96774	
				enrg <i>H. S. D. S.</i>		11/29/06				A4	
				chr <i>R. Shore</i>		11/29/06				type Product Customer Drawing	
				appd <i>S. Andar</i>		12/11/06					
sheet index		revision B		sheet 1						Rev. B	



FCIconnect.com

Copyright FCI.

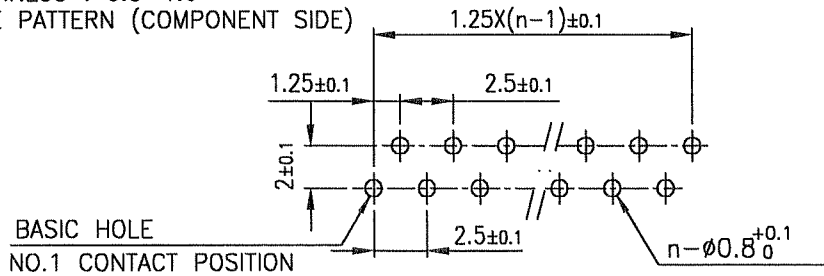


PT. NO.	PARTS NAME	MATERIAL	Q'TY	NOTE
1	HOUSING	PET RESIN GLASS REINFORCED (UL94V-0)	1	COLOR : BLACK
2	SLIDER		1	COLOR : GRAY
3	CONTACT	PHOSPHOR BRONZE	n	PLATING : TIN Ni UNDER PLATED

n : NO. OF CONTACTS

RECOMMENDED PC BOARD

THICKNESS : 0.8~1.6
HOLE PATTERN (COMPONENT SIDE)



THIS PRODUCT MEETS EUROPEAN UNION DIRECTIVES AND OTHER COUNTRY REGULATIONS AS DESCRIBED IN GS-22-008.

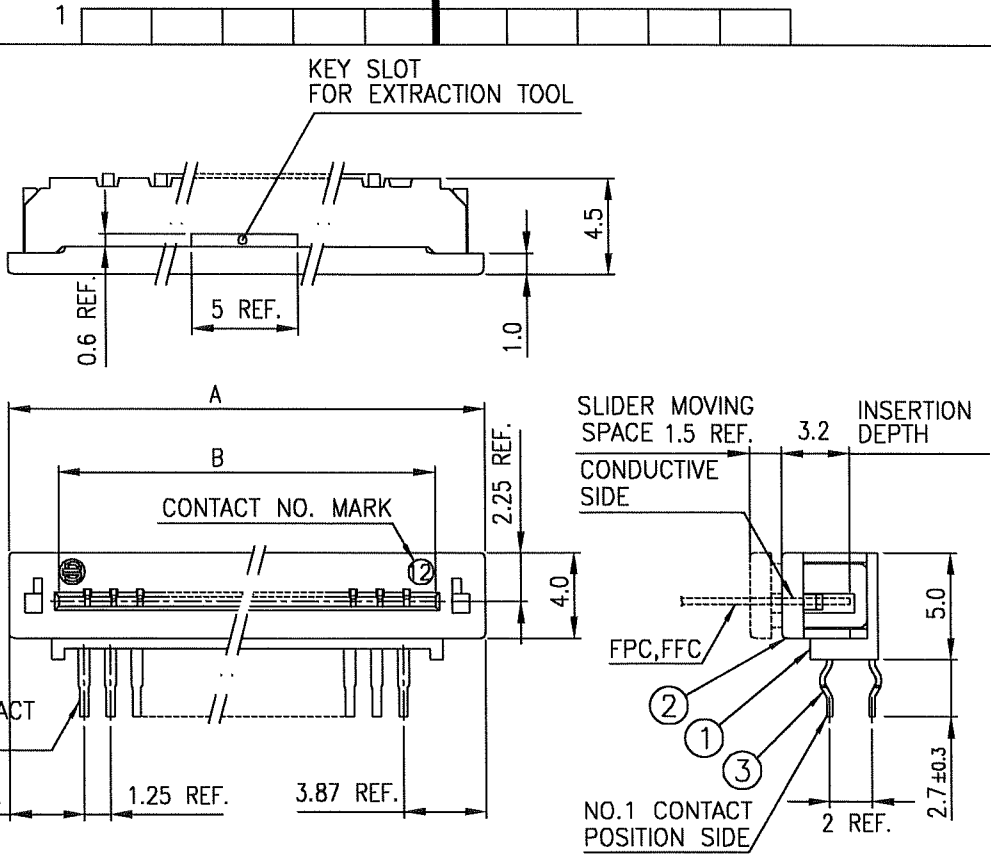
THE HOUSING WILL WITHSTAND EXPOSURE TO 260°C PEAK TEMPERATURE FOR 10 SECONDS IN A WAVE SOLDER APPLICATION WITH A 1.6mm THICK CIRCUIT BOARD.

mat'l. code				surface ISO 1302 ✓		tolerance ISO 406 ISO 1101		projection		product family 58KF		CODE JP	
ltr				ecn no		dr		date		title		1.25mm SPACING CONNECTOR (Cat. No. SLP__S-2LF)	
A				J05-0713		H.T.		10/21/05		mm		scale X	
B				J06-0504		H.T.		11/29/06		angles linear		±0.2	
sheet index				revision		B		1		dwg no		sheet 1 of 1 size A4	
sheet index				sheet		1				type		Product Customer Drawing	



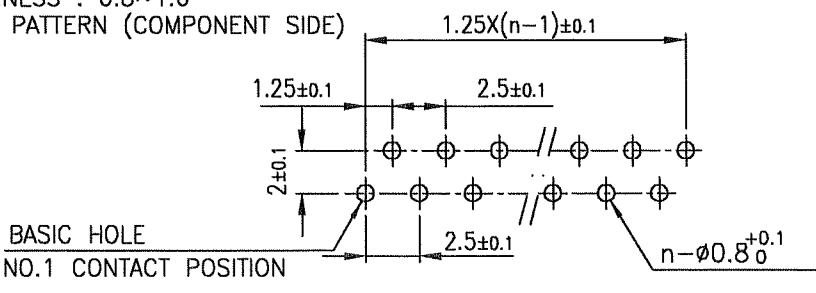
FCIconnect.com

Copyright FCI.



PT. NO.	PARTS NAME	MATERIAL	Q'TY	NOTE
1	HOUSING	PET RESIN GLASS REINFORCED (UL94V-0)	1	COLOR : BLACK
2	SLIDER		1	COLOR : GRAY
3	CONTACT	PHOSPHOR BRONZE	n	PLATING : TIN Ni UNDER PLATED

RECOMMENDED PC BOARD THICKNESS : 0.8~1.6 HOLE PATTERN (COMPONENT SIDE) n : NO. OF CONTACTS



THIS PRODUCT MEETS EUROPEAN UNION DIRECTIVES AND OTHER COUNTRY REGULATIONS AS DESCRIBED IN GS-22-008. THE HOUSING WILL WITHSTAND EXPOSURE TO 260°C PEAK TEMPERATURE FOR 10 SECONDS IN A WAVE SOLDER APPLICATION WITH A 1.6mm THICK CIRCUIT BOARD.

mat'l. code				surface ISO 1302 ✓		tolerance ISO 406 ISO 1101		projection		product family 58KF		CODE JP	
ltr	ecn no	dr	date	tolerances unless otherwise specified				mm		title			
A	J05-0713	H.T	10/21/05	±0.2				mm		1.25mm SPACING CONNECTOR (Cat. No. SLP__R-2LF)			
B	J06-0504	H.T	11/29/06	angles	linear			scale X		dwg no sheet 1 of 1 size			
				dr	11/29/06				JSA 96776				A4
				enr	11/29/06				type Product Customer Drawing				
				chr	11/29/06								
				appd	12/11/06								
sheet index	revision	B	sheet	1								Rev. B	

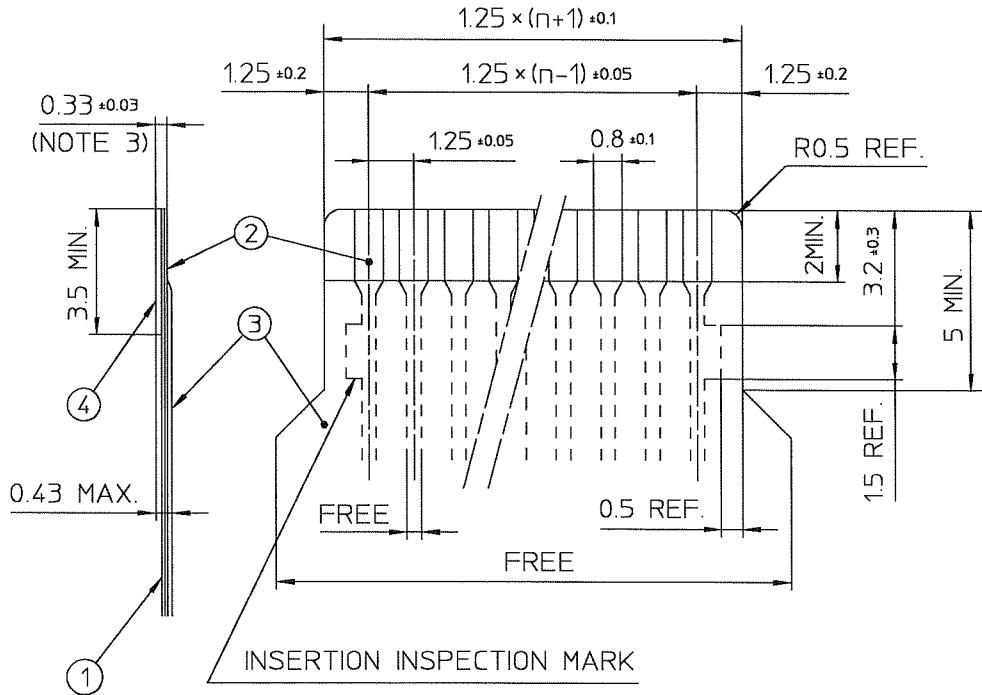


FCJconnect.com

Copyright FCI.

RECOMMENDED CABLE (FPC)

n : NO. OF CONDUCTOR



PT. NO.	PARTS NAME	MATERIAL	THICKNESS (μm)
1	BASE FILM	POLYIMIDE OR EQUAL	25
2	CONDUCTOR	COPPER FOIL (PLATING : SOLDER 1μm MIN. 12μm MAX.)	35
3	OVERLAY	POLYIMIDE OR EQUAL	—
4	SUPPORTING TAPE	POLYESTER OR POLYIMIDE OR EQUAL	188

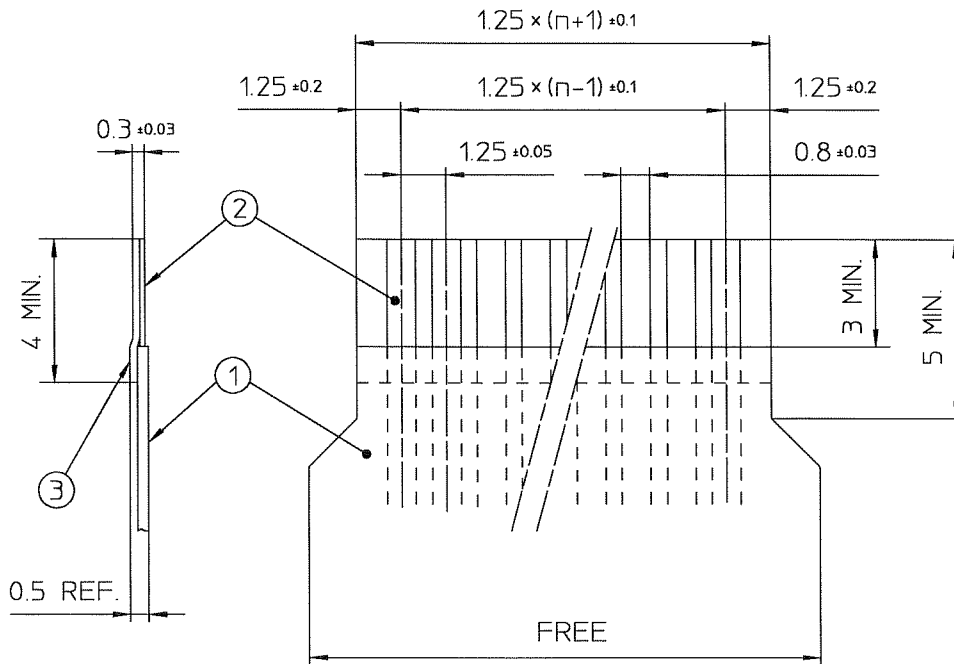
NOTES.

1. NO BURR AT EACH PORTION.
2. NO PEELING IN COMMON USE.
3. TOTAL THICKNESS LIMIT OF EACH MATERIAL (INCLUDING ADHESIVE AGENT) IS SPECIFIED.

mat'l. code				surface ISO 1302 ✓		tolerance ISO 406 ISO 1101		projection 		product family 58KF			
ltr	ecn no	dr	date	tolerances unless otherwise specified				title RECOMMENDED CABLE (Cat. No. SLP__R/S-2_)					
3		H.T	11/29/99	angles		linear		scale X					
A	J06-0504	H.T	11/29/06										
				dr <i>[Signature]</i>		11/29/06				sheet 1 of 1			
				enrg <i>[Signature]</i>		11/29/06				dwg no JSA 28248		size A4	
				chr R. Shouji		11/29/06				type Product Customer Drawing			
				appd <i>[Signature]</i>		12/1/06							
sheet index		revision sheet		A		1				Rev A			

RECOMMENDED CABLE (FFC)

n : NO. OF CONDUCTOR



PT. NO.	PARTS NAME	MATERIAL	NOTE
1	INSULATOR	FLAME RESISTING POLYESTER OR EQUAL	_____
2	CONDUCTOR	COPPER FOIL : 50 μm	PLATING : SOLDER 1 μm MIN.
3	SUPPORTING TAPE	FLAME RESISTING POLYESTER OR EQUAL	_____

NOTES.

1. NO BURR AT EACH PORTION.
2. NO PEELING IN COMMON USE.

mat'l. code				surface ISO 1302 ✓		tolerance ISO 406 ISO 1101		projection 		product family 58KF			
ltr	ecn no	dr	date	tolerances unless otherwise specified						title RECOMMENDED CABLE (Cat. No. SLP_R/S-2_)			
3	---	H.T	11/29/99	angles	linear	scale X							
A	J06-0504	H.T	11/29/06	dr	<i>H. Hattori</i>	11/29/06			dwg no		sheet 1 of 1	size	
				enr	<i>H. Hattori</i>	11/29/06			JSA 28249		A4		
				chr	<i>R. Shouji</i>	11/29/06			type		Product Customer Drawing		
				appd	<i>S. Oudans</i>	12/11/06							
sheet index	revision	A										Rev	A



FCIconnect.com

Copyright FCI