

120x120x38 mm



San Ace 120 9SG type Model 9SG1224H101 is not certified.

General Specifications

- Material Frame: Aluminum, Impeller: Plastic (Flammability: UL 94V-1)
- Expected life See the table below. (L10 life: 90% survival rate for continuous operation in free air at 60°C, rated voltage)
Expected life at 40°C is for reference only.
- Motor protection function Locked rotor burnout protection, Reverse polarity protection
For details, please refer to p. 599.
- Dielectric strength 50/60 Hz, 500 VAC, for 1 minute (between lead wire conductors and frame)
- Insulation resistance 10 MΩ or more with a 500 VDC megger (between lead wire conductors and frame)
- Sound pressure level (SPL) At 1 m away from the air inlet
- Storage temperature -30 to +70°C (Non-condensing)
- Lead wire ⊕Red ⊖Black or Blue Sensor Yellow
- Mass 400 g

Specifications

The models listed below **have pulse sensors**.

Model no.	Rated voltage [V]	Operating voltage range [V]	Rated current [A]	Rated input [W]	Rated speed [min ⁻¹]	Max. airflow [m ³ /min] [CFM]	Max. static pressure [Pa] [inchH ₂ O]	SPL [dB (A)]	Operating temperature [°C]	Expected life [h]
» 9SG1212G101	12	10.2 to 13.8	4.0	48.0	6000	7.35 260	340 1.37	64	-20 to +70	40000/60°C (70000/40°C)
» 9SG1224G101	24	20.4 to 27.6	2.0	48.0	6000	7.35 260	340 1.37	64		
9SG1224H101			0.46	11.0	3400	4.02 142	126 0.51	48		
» 9SG1248G101	48	40.8 to 55.2	1.0	48.0	6000	7.35 260	340 1.37	64		

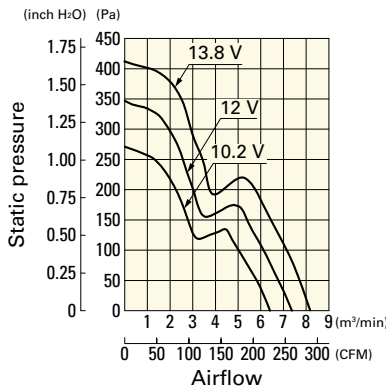
Note 1: Sensor and control options are available for selection. Refer to the table on p. 636.

Note 2: The » mark indicates Short LeadTime Service applicable models. See p. 654 for details.

Airflow - Static Pressure Characteristics

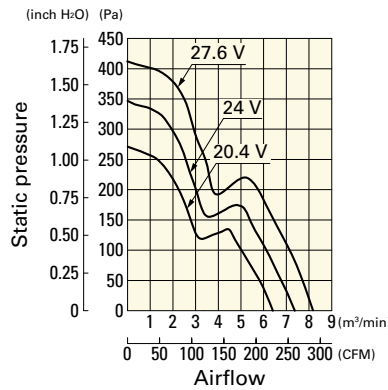
9SG1212G101 With pulse sensor

Operating voltage range



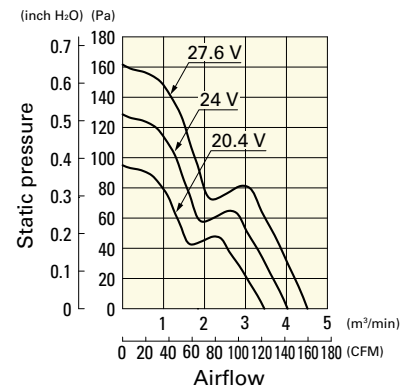
9SG1224G101 With pulse sensor

Operating voltage range



9SG1224H101 With pulse sensor

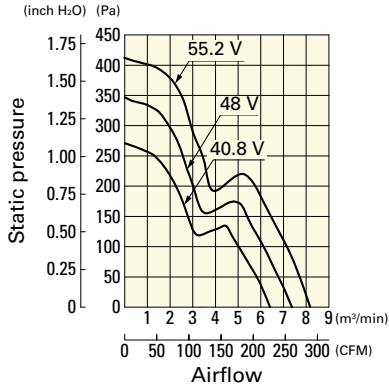
Operating voltage range



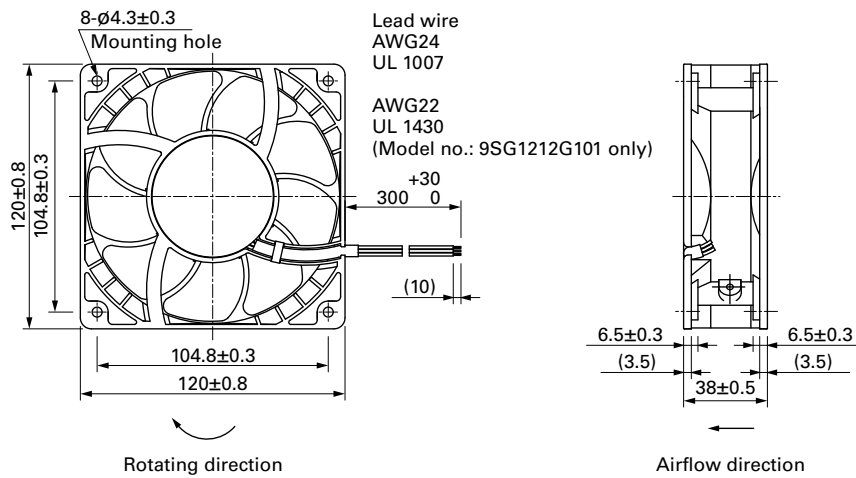
Airflow - Static Pressure Characteristics

9SG1248G101 With pulse sensor

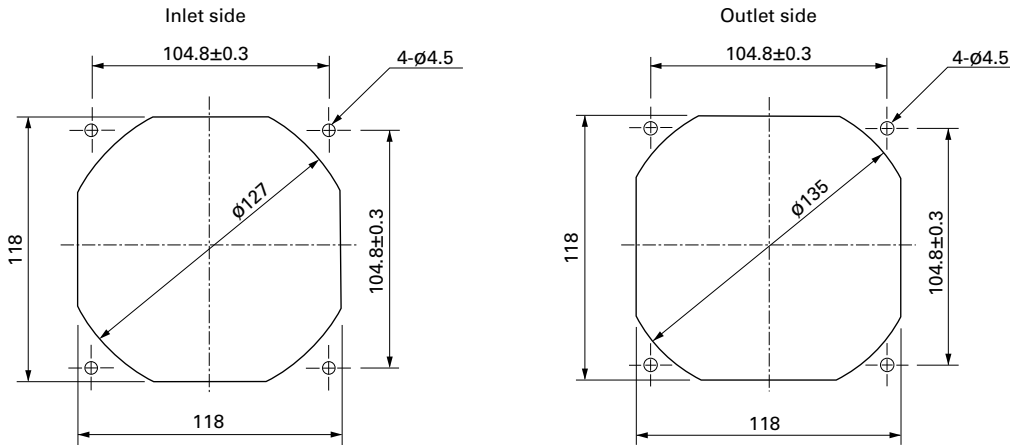
Operating voltage range



Dimensions (unit: mm)



Reference Dimensions of Mounting Holes and Vent Opening (unit: mm)



Options

Finger guards

page: p. 585

Model no.: 109-019E, 109-019K, 109-019C, 109-019H

Resin finger guards

page: p. 591

Model no.: 109-1000G

Resin filter kits

page: p. 592

Model no.: 109-1000F13 (13PPI), 109-1000F20 (20PPI),
109-1000F30 (30PPI), 109-1000F40 (40PPI)