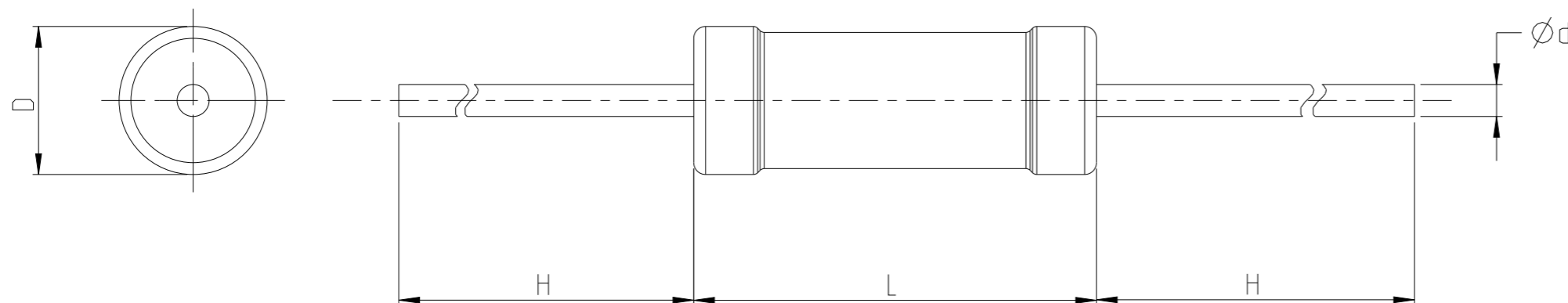


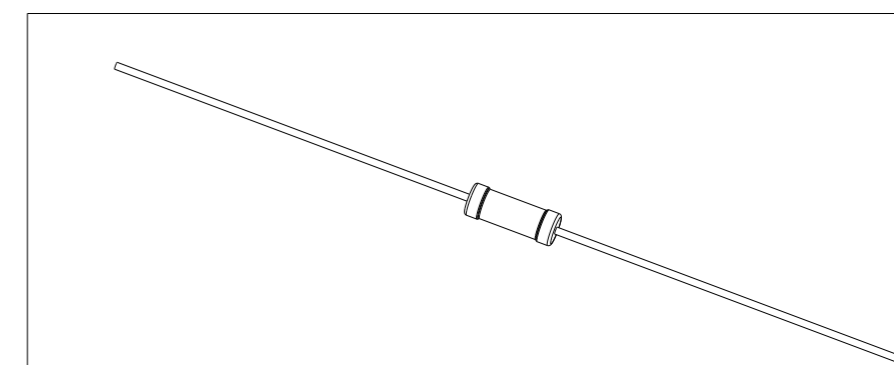
REVISIONS

P	LTR	DESCRIPTION	DATE	DWN	APVD
	BA	NEW DRAWING	21MAR2023	DM	AP

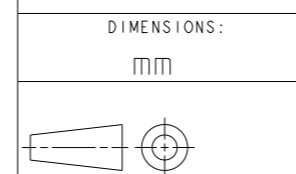
FOR FURTHER INFORMATION SEE DATA SHEET FOR WIREWOUND ANTI-SURGE RESISTOR TYPE EP SERIES



TYPE	POWER RATING	D ± 1 (mm)	L ± 1 (mm)	d ± 0.05 (mm)	H ± 3 (mm)
EP1W SSS	1W -SSS	2.5	6.8	0.54	28



THIS DRAWING IS A CONTROLLED DOCUMENT.



DIMENSIONS:	TOLERANCES UNLESS OTHERWISE SPECIFIED:
mm	
0 PLC	±
1 PLC	±
2 PLC	±
3 PLC	±
4 PLC	±
ANGLES	±1°
MATERIAL	FINISH
-	-

DWN	21MAR2023
CHK	DHEERAJ M
APVD	21MAR2023
ALLAN P	
PRODUCT SPEC	
APPLICATION SPEC	
WEIGHT	-
CUSTOMER DRAWING	

TE TE Connectivity			
NAME WIREWOUND ANTI-SURGE RESISTOR TYPE EP 1W SSS SERIES			
SIZE	CAGE CODE	DRAWING NO	RESTRICTED TO
A3	00779	C=2176609	-
SCALE 1:1		SHEET 1 OF 2	REV BA

REVISIONS

P	LTR	DESCRIPTION	DATE	DWN	APVD
	-	SEE SHEET 1	-	-	-

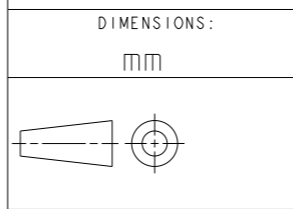
SCHEDULE

TCPN	CATALOGUE NUMBER	PART DESCRIPTION	PART STATUS
2176609-1	EP1W SSS1R0J	EP 1W (SSS) 1R0 5%	PRODUCTION
2176609-2	EP1W SSS1R1J	EP 1W (SSS) 1R1 5%	PRODUCTION
2176609-3	EP1W SSS1R2J	EP 1W (SSS) 1R2 5%	PRODUCTION
2176609-4	EP1W SSS1R3J	EP 1W (SSS) 1R3 5%	PRODUCTION
2176609-5	EP1W SSS1R5J	EP 1W (SSS) 1R5 5%	PRODUCTION
2176609-6	EP1W SSS1R6J	EP 1W (SSS) 1R6 5%	PRODUCTION
2176609-7	EP1W SSS1R8J	EP 1W (SSS) 1R8 5%	PRODUCTION
2176609-8	EP1W SSS2R0J	EP 1W (SSS) 2R0 5%	PRODUCTION
2176609-9	EP1W SSS2R2J	EP 1W (SSS) 2R2 5%	PRODUCTION
1-2176609-0	EP1W SSS2R4J	EP 1W (SSS) 2R4 5%	PRODUCTION
1-2176609-1	EP1W SSS2R7J	EP 1W (SSS) 2R7 5%	PRODUCTION
1-2176609-2	EP1W SSS3R0J	EP 1W (SSS) 3R0 5%	PRODUCTION
1-2176609-3	EP1W SSS3R3J	EP 1W (SSS) 3R3 5%	PRODUCTION
1-2176609-4	EP1W SSS3R6J	EP 1W (SSS) 3R6 5%	PRODUCTION
1-2176609-5	EP1W SSS3R9J	EP 1W (SSS) 3R9 5%	PRODUCTION
1-2176609-6	EP1W SSS4R3J	EP 1W (SSS) 4R3 5%	PRODUCTION
1-2176609-7	EP1W SSS4R7J	EP 1W (SSS) 4R7 5%	PRODUCTION
1-2176609-8	EP1W SSS5R1J	EP 1W (SSS) 5R1 5%	PRODUCTION
1-2176609-9	EP1W SSS5R6J	EP 1W (SSS) 5R6 5%	PRODUCTION
2-2176609-0	EP1W SSS6R2J	EP 1W (SSS) 6R2 5%	PRODUCTION
2-2176609-1	EP1W SSS6R8J	EP 1W (SSS) 6R8 5%	PRODUCTION
2-2176609-2	EP1W SSS7R5J	EP 1W (SSS) 7R5 5%	PRODUCTION
2-2176609-3	EP1W SSS8R2J	EP 1W (SSS) 8R2 5%	PRODUCTION
2-2176609-4	EP1W SSS9R1J	EP 1W (SSS) 9R1 5%	PRODUCTION
2-2176609-5	EP1W SSS10RJ	EP 1W (SSS) 10R 5%	PRODUCTION
2-2176609-6	EP1W SSS11RJ	EP 1W (SSS) 11R 5%	PRODUCTION
2-2176609-7	EP1W SSS12RJ	EP 1W (SSS) 12R 5%	PRODUCTION
2-2176609-8	EP1W SSS13RJ	EP 1W (SSS) 13R 5%	PRODUCTION
2-2176609-9	EP1W SSS15RJ	EP 1W (SSS) 15R 5%	PRODUCTION
3-2176609-0	EP1W SSS16RJ	EP 1W (SSS) 16R 5%	PRODUCTION
3-2176609-1	EP1W SSS18RJ	EP 1W (SSS) 18R 5%	PRODUCTION
3-2176609-2	EP1W SSS20RJ	EP 1W (SSS) 20R 5%	PRODUCTION
3-2176609-3	EP1W SSS22RJ	EP 1W (SSS) 22R 5%	PRODUCTION

SCHEDULE

TCPN	CATALOGUE NUMBER	PART DESCRIPTION	PART STATUS
3-2176609-4	EP1W SSS24RJ	EP 1W (SSS) 24R 5%	PRODUCTION
3-2176609-5	EP1W SSS27RJ	EP 1W (SSS) 27R 5%	PRODUCTION
3-2176609-6	EP1W SSS30RJ	EP 1W (SSS) 30R 5%	PRODUCTION
3-2176609-7	EP1W SSS33RJ	EP 1W (SSS) 33R 5%	PRODUCTION
3-2176609-8	EP1W SSS36RJ	EP 1W (SSS) 36R 5%	PRODUCTION
3-2176609-9	EP1W SSS39RJ	EP 1W (SSS) 39R 5%	PRODUCTION
4-2176609-0	EP1W SSS43RJ	EP 1W (SSS) 43R 5%	PRODUCTION
4-2176609-1	EP1W SSS47RJ	EP 1W (SSS) 47R 5%	PRODUCTION
4-2176609-2	EP1W SSS51RJ	EP 1W (SSS) 51R 5%	PRODUCTION
4-2176609-3	EP1W SSS56RJ	EP 1W (SSS) 56R 5%	PRODUCTION
4-2176609-4	EP1W SSS62RJ	EP 1W (SSS) 62R 5%	PRODUCTION
4-2176609-5	EP1W SSS68RJ	EP 1W (SSS) 68R 5%	PRODUCTION
4-2176609-6	EP1W SSS75RJ	EP 1W (SSS) 75R 5%	PRODUCTION
4-2176609-7	EP1W SSS82RJ	EP 1W (SSS) 82R 5%	PRODUCTION
4-2176609-8	EP1W SSS91RJ	EP 1W (SSS) 91R 5%	PRODUCTION
4-2176609-9	EP1W SSS100RJ	EP 1W (SSS) 100R 5%	PRODUCTION
5-2176609-0	EP1W SSS110RJ	EP 1W (SSS) 110R 5%	PRODUCTION
5-2176609-1	EP1W SSS120RJ	EP 1W (SSS) 120R 5%	PRODUCTION
5-2176609-2	EP1W SSS130RJ	EP 1W (SSS) 130R 5%	PRODUCTION
5-2176609-3	EP1W SSS150RJ	EP 1W (SSS) 150R 5%	PRODUCTION
5-2176609-4	EP1W SSS160RJ	EP 1W (SSS) 160R 5%	PRODUCTION
5-2176609-5	EP1W SSS180RJ	EP 1W (SSS) 180R 5%	PRODUCTION
5-2176609-6	EP1W SSS200RJ	EP 1W (SSS) 200R 5%	PRODUCTION
5-2176609-7	EP1W SSS220RJ	EP 1W (SSS) 220R 5%	PRODUCTION
5-2176609-8	EP1W SSS240RJ	EP 1W (SSS) 240R 5%	PRODUCTION
5-2176609-9	EP1W SSS270RJ	EP 1W (SSS) 270R 5%	PRODUCTION
6-2176609-0	EP1W SSS300RJ	EP 1W (SSS) 300R 5%	PRODUCTION
6-2176609-1	EP1W SSS330RJ	EP 1W (SSS) 330R 5%	PRODUCTION
6-2176609-2	EP1W SSS360RJ	EP 1W (SSS) 360R 5%	PRODUCTION
6-2176609-3	EP1W SSS390RJ	EP 1W (SSS) 390R 5%	PRODUCTION
6-2176609-4	EP1W SSS430RJ	EP 1W (SSS) 430R 5%	PRODUCTION
6-2176609-5	EP1W SSS470RJ	EP 1W (SSS) 470R 5%	PRODUCTION
6-2176609-6	EP1W SSS510RJ	EP 1W (SSS) 510R 5%	PRODUCTION
6-2176609-7	EP1W SSS560RJ	EP 1W (SSS) 560R 5%	PRODUCTION

THIS DRAWING IS A CONTROLLED DOCUMENT.



DIMENSIONS:	TOLERANCES UNLESS OTHERWISE SPECIFIED:
mm	
0 PLC	±
1 PLC	±
2 PLC	±
3 PLC	±
4 PLC	±
ANGLES	±1°
FINISH	-

DWN	DHEERAJ M	21MAR2023
CHK	ALLAN P	21MAR2023
APVD	ALLAN P	21MAR2023
PRODUCT SPEC	-	-
APPLICATION SPEC	-	-
WEIGHT	-	-



NAME WIREWOUND ANTI-SURGE RESISTOR TYPE EP 1W SSS SERIES

SIZE	CAGE CODE	DRAWING NO	RESTRICTED TO
A3	00779	©-2176609	-

CUSTOMER DRAWING SCALE 1:1 SHEET 2 OF 2 REV BA