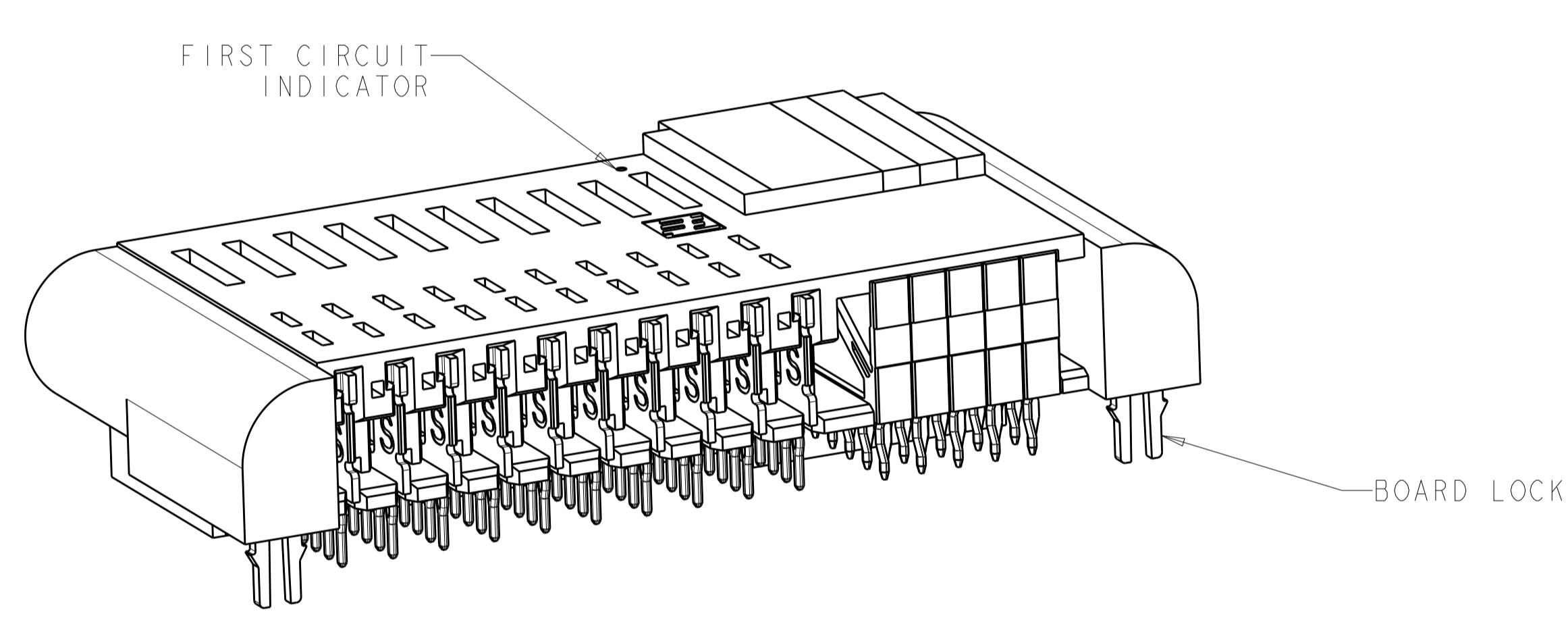
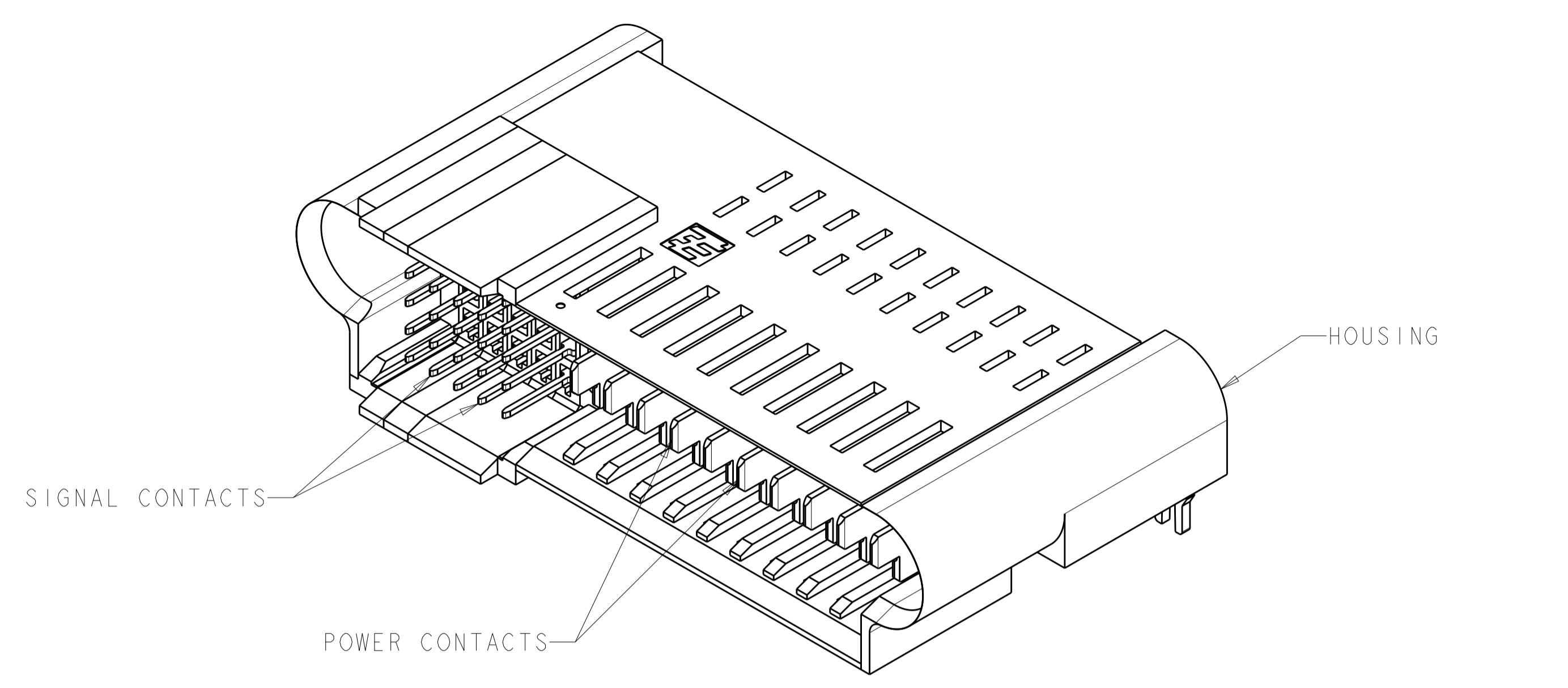


LOC	DIST	REVISIONS					
		P	LTN	DESCRIPTION	DATE	DWN	APVD
AA	00	E5		ADD NEW DASH NUMBER -81	04AUG2015	SZ	SZ



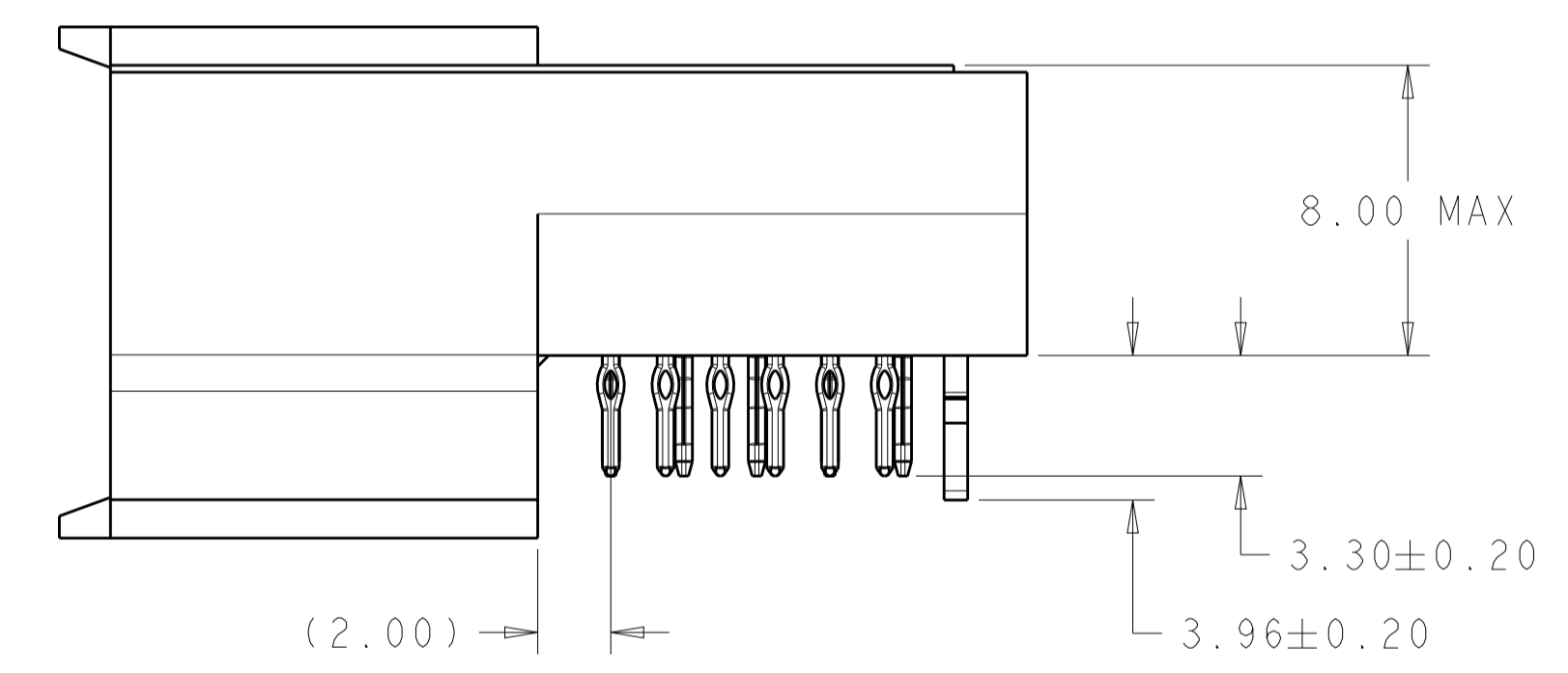
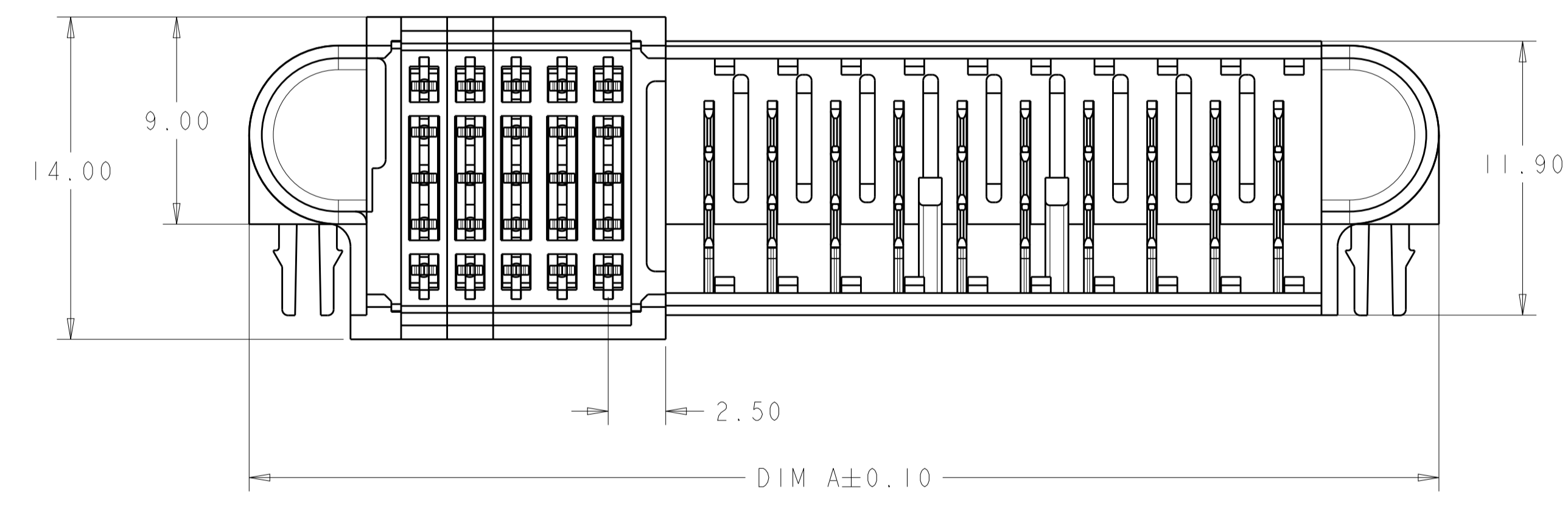
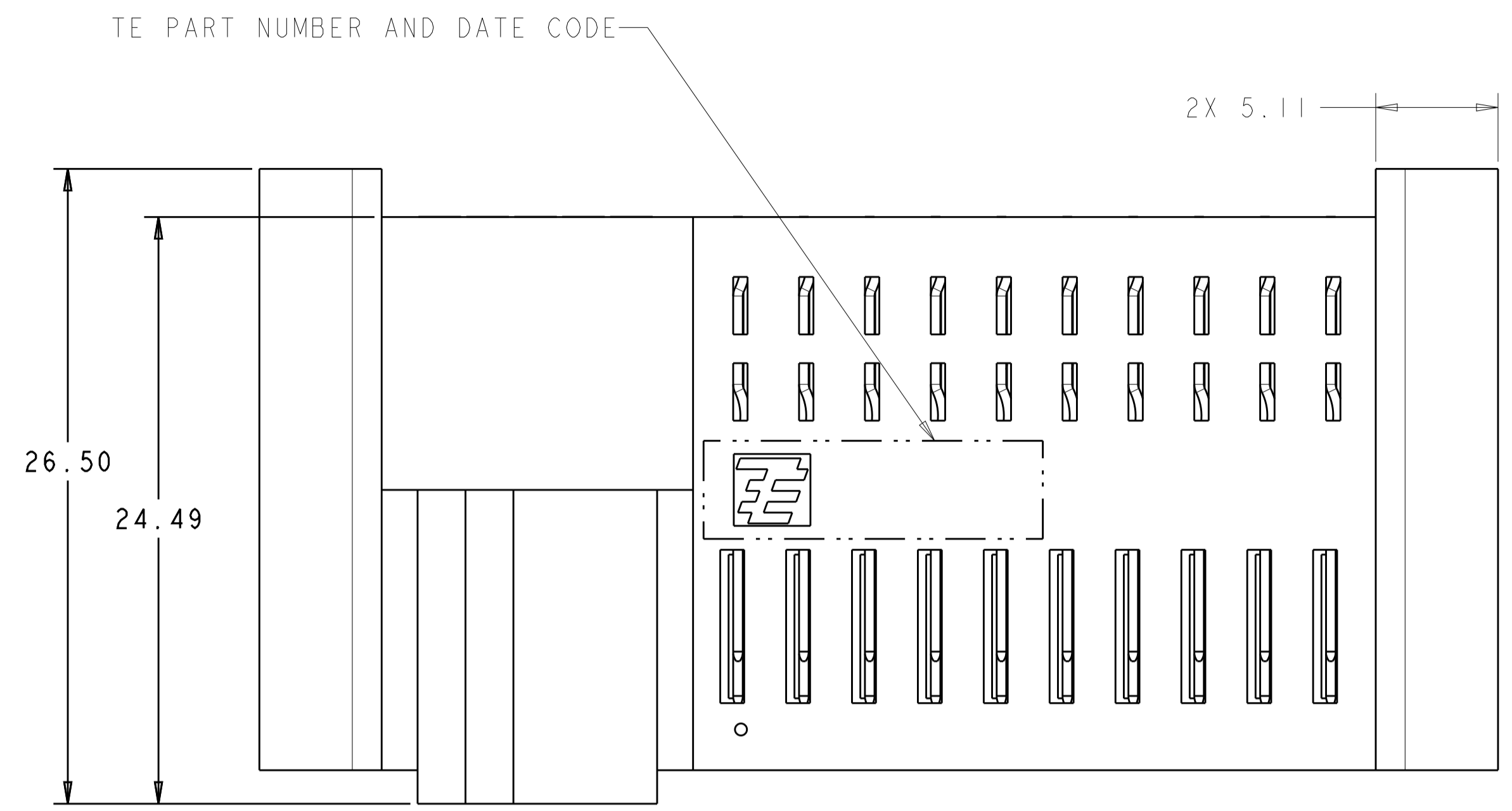
2-1926730-5 SHOWN

- HOUSING: GLASS FILLED HIGH TEMP THERMO PLASTIC, COLOR: BLACK, UL 94 V-0 RATED
 SIGNAL CONTACT: COPPER ALLOY
 SIGNAL OVERMOLD: GLASS FILLED POLYESTER
 POWER CONTACT: COPPER ALLOY
 BOARD LOCKS: COPPER ALLOY
 - CONTACT FINISH: NOBLE METAL PLATING ON CONTACT FUNCTIONAL AREA OF POWER AND SIGNAL CONTACTS,
 - CONTACT MATING AREA LUBRICATED WITH BELLCORE APPROVED LUBRICANT, TECHNICAL REFERENCE: GR-1217-CORE, ISSUE 1, NOVEMBER 1995.
 - THIS CONNECTOR EMPLOYS UL RECOGNIZED Z-PACK 2mm HM SIGNAL CONTACTS
- △ DATUMS AND BASIC DIMENSIONS TO BE ESTABLISHED BY CUSTOMER.
- △ PC BOARD THICKNESS 1.4mm MIN, FOR WAVE SOLDER PC BOARD THICKNESS 2.62 MAX
- △ SEE APPLICATION SPEC 114-13215 FOR PLATED THROUGH HOLE INFORMATION
8. SEE CUSTOMER DRAWING 1926731 OR 1926733 FOR MATING CONNECTOR
- △ UNPLATED HOLES

12	20	1	3	22.60	27.71	20S X 2P	8-1926730-3
12	25	1	4	24.60	29.71	25S X 2P	8-1926730-1
12	15	1	2	20.60	25.71	15S X 2P	8-1926730-0
12	10	1	1	18.60	23.71	10S X 2P	7-1926730-9
36	20	5	3	33.60	38.71	20S X 6P	1-1926730-0
144	40	23	10	91.10	96.21	40S X 24P	7-1926730-7
96	25	15	4	63.10	68.21	25S X 16P	4-1926730-6
72	15	11	2	48.10	53.21	15S X 12P	3-1926730-0
60	25	9	4	46.60	51.71	25S X 10P	2-1926730-5
48	25	7	4	41.10	46.21	25S X 8P	1-1926730-8
24	10	3	1	24.10	29.21	10S X 4P	1926730-1
DIM F	DIM E	DIM D	DIM C	DIM B	DIM A	NUMBER OF POSITIONS	PART NUMBER

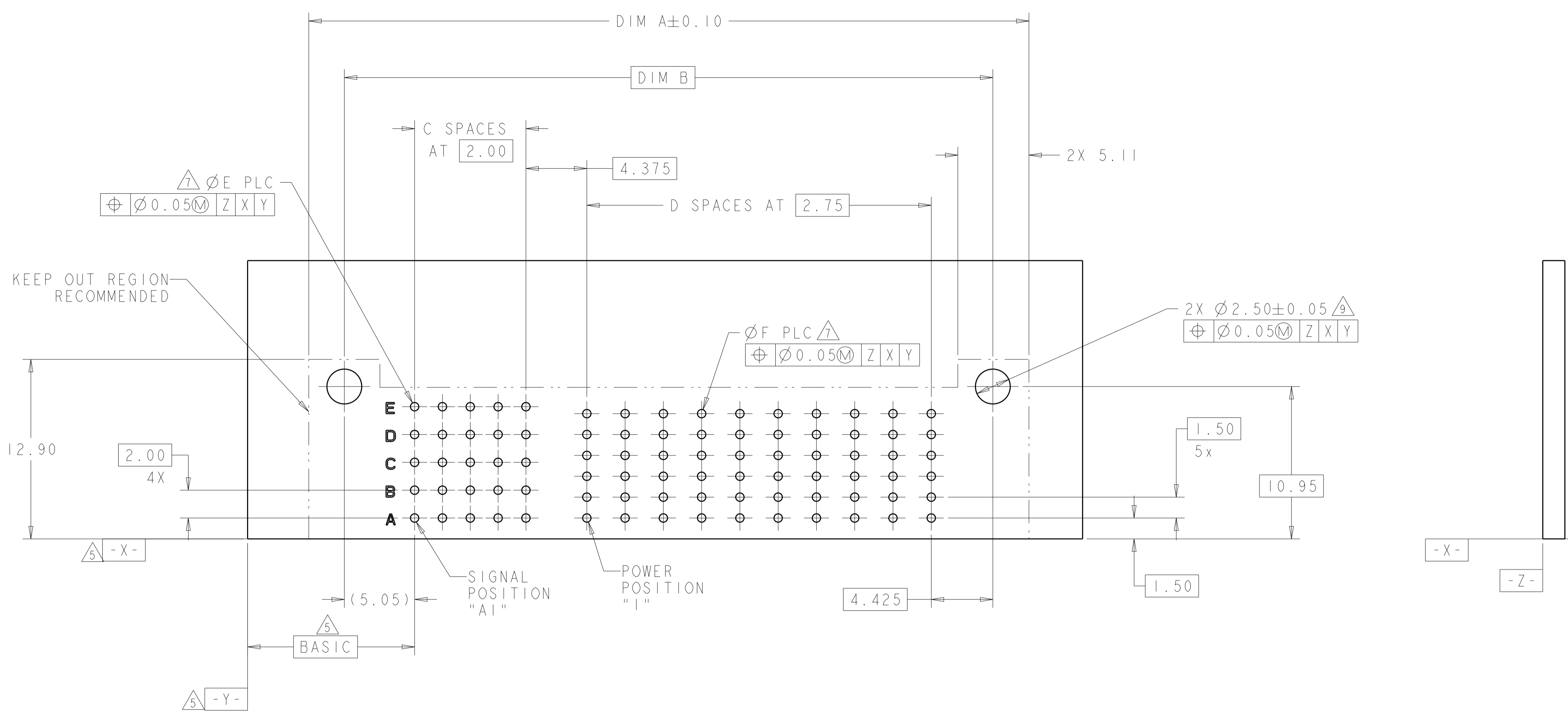
DIMENSIONS: mm 		TOLERANCES UNLESS OTHERWISE SPECIFIED: 0 PLC ± 1 PLC ±0.13 2 PLC ± 3 PLC ± 4 PLC ± ANGLES ±		DWN G. PETERS 19OCT2007 CHK N. REESER 11APR2008 APVD N. REESER 11APR2008		Tyco Electronics Harrisburg, PA 17105-3608	
MATERIAL SEE NOTE 1		FINISH SEE NOTE 2		PRODUCT SPEC 108-2325 APPLICATION SPEC 114-13215		NAME PLUG ASSEMBLY, RIGHT ANGLE, PASSIVE GUIDE, SIGNAL/POWER, WITH BOARD LOCKS, MINIPAK HDL SIZE CAGE CODE DRAWING NO. A100779C=1926730 RESTRICTED TO	
CUSTOMER DRAWING				SCALE 4:1		SHEET 1 OF 3 REV E6	

LOC	DIST	REVISIONS					
		P	LTN	DESCRIPTION	DATE	DWN	APVD
AA	00	-	-	SEE SHEET 1	-	-	-



<small>THIS DRAWING IS UNPUBLISHED. RELEASED FOR PUBLICATION BY TYCO ELECTRONICS CORPORATION. ALL RIGHTS RESERVED.</small>		DWN G. PETERS 19OCT2007 CHK N. REESER 11APR2008 APVD N. REESER 11APR2008	Tyco Electronics Harrisburg, PA 17105-3608
DIMENSIONS: mm 	TOLERANCES UNLESS OTHERWISE SPECIFIED: 0 PLC ± 1 PLC ±0.13 2 PLC ± 3 PLC ± 4 PLC ± ANGLES ±	NAME PRODUCT SPEC APPLICATION SPEC SIZE WEIGHT	NAME PLUG ASSEMBLY, RIGHT ANGLE, PASSIVE GUIDE, SIGNAL/POWER, WITH BOARD LOCKS, MINIPAK HDL SIZE CAGE CODE DRAWING NO RESTRICTED TO
MATERIAL SEE NOTE 1	FINISH SEE NOTE 2	WEIGHT CUSTOMER DRAWING	SCALE 4:1 SHEET 2 OF 3 REV E.6

LOC		DIST		REVISIONS			
AA	00	P	LTH	DESCRIPTION	DATE	DMN	APVD
		-		SEE SHEET 1			



2-1926730-5 SHOWN
RECOMMENDED PRINTED CIRCUIT BOARD LAYOUT
 (AS VIEWED FROM COMPONENT SIDE)

<small>THIS DRAWING IS UNPUBLISHED. IT IS THE PROPERTY OF TYCO ELECTRONICS CORPORATION. IT IS SUBJECT TO CHANGE AND WITHOUT WARRANTY OF ANY KIND. THE USER SHALL BE RESPONSIBLE FOR THE LATEST REVISION.</small>		DWN: G. PETERS 19OCT2007 CHK: N. REESER 11APR2008 APVD: N. REESER 11APR2008	Tyco Electronics Harrisburg, PA 17105-3608
DIMENSIONS: mm 	TOLERANCES UNLESS OTHERWISE SPECIFIED: 0 PLC ± 1 PLC ±0.13 2 PLC ± 3 PLC ± 4 PLC ± ANGLES ±	NAME: PLUG ASSEMBLY, RIGHT ANGLE, PASSIVE GUIDE, SIGNAL/POWER, WITH BOARD LOCKS, MINIPAK HDL PRODUCT SPEC: 108-2325 APPLICATION SPEC: 114-13215 WEIGHT: -	SIZE: A CAGE CODE: 00779 DRAWING NO: 1926730 RESTRICTED TO: -
MATERIAL: SEE NOTE 1	FINISH: SEE NOTE 2	CUSTOMER DRAWING	SCALE: 4:1 SHEET 3 OF 3 REV: E6