

THIS DRAWING IS UNPUBLISHED.

RELEASED FOR PUBLICATION

ALL RIGHTS RESERVED.

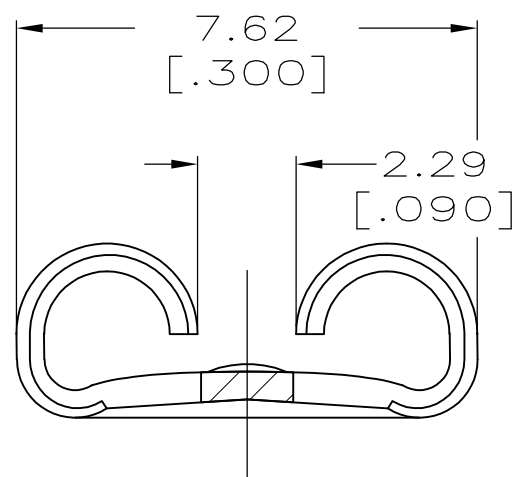
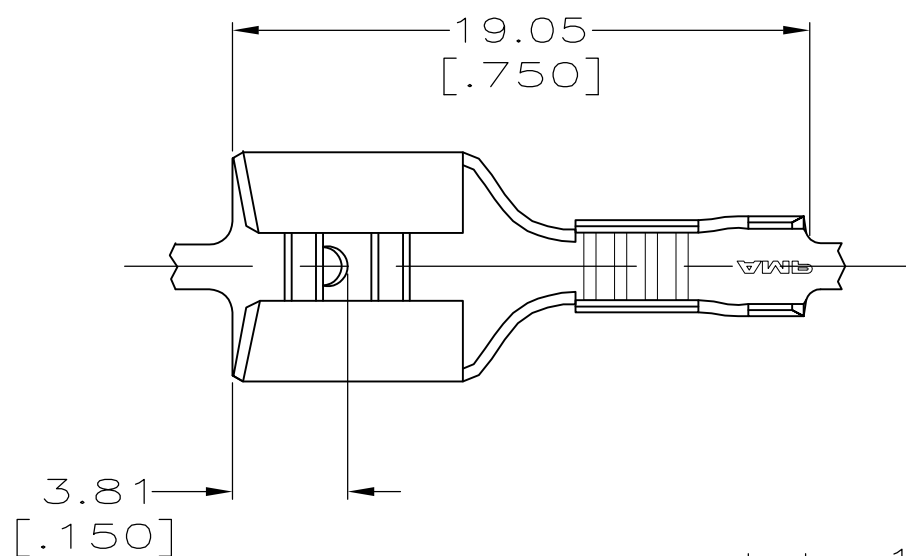
© COPYRIGHT - By -

LOC AF DIST 50

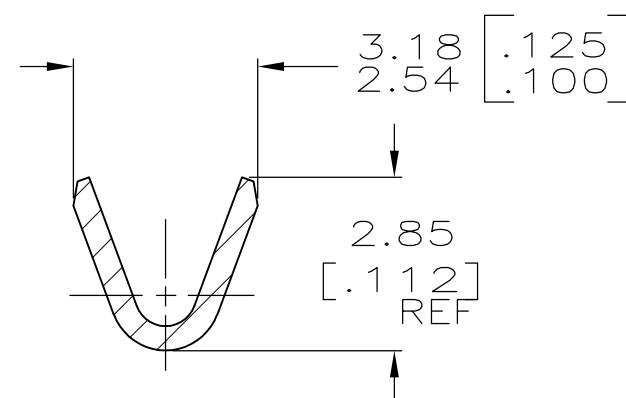
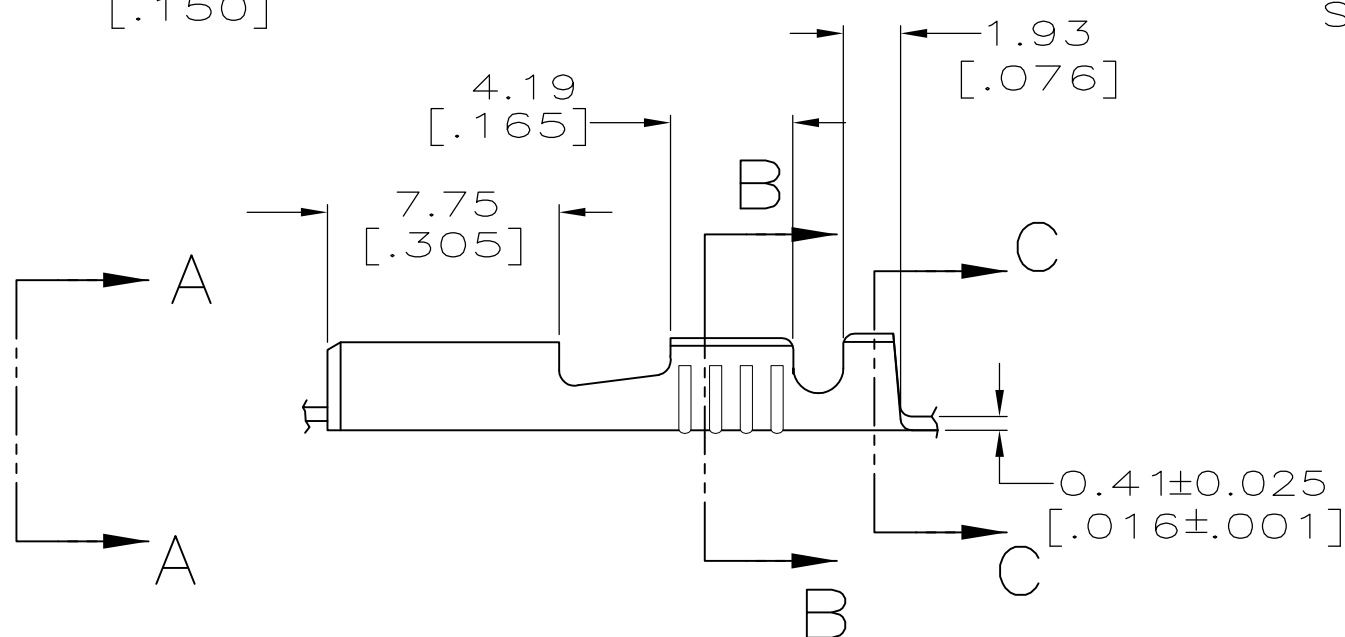
REVISIONS

P	LTR	DESCRIPTION	DATE	DWN	APVD
	D	REVISED PER ECR-12-013459	27NOV2012	KH	PD

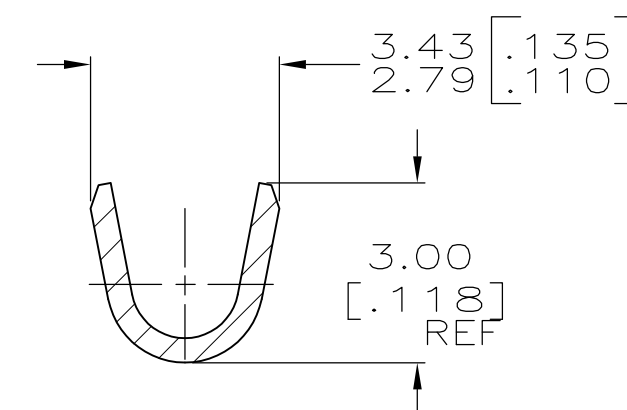
- 1 CONTINUOUS STRIP ON REELS.
- 2 WIRE SIZE IS [#22-#18] AWG.
- 3 INSULATION RANGE IS 1.52-2.54 [.060-.100] DIA.
- 4 MATING TAB IS 0.81±0.025[.032±.001].



VIEW A-A  
SCALE 8:1



SECTION B-B  
SCALE 8:1



SECTION C-C  
SCALE 8:1

62866-1  
PART NO.

THIS DRAWING IS A CONTROLLED DOCUMENT.		DWN JR RUTH 1/29/98	<b>STE</b> TE Connectivity		
DIMENSIONS: mm [INCHES]		CHK MS FEHER 1/29/98			
TOLERANCES UNLESS OTHERWISE SPECIFIED:		APVD J GILLESPIE 1/29/98	NAME RECEPTACLE, FASTON, 6.35 [.250] SERIES		
0 PLC ± -		PRODUCT SPEC -	SIZE A3	CAGE CODE 00779	DRAWING NO C-62866
1 PLC ± -		APPLICATION SPEC -	RESTRICTED TO -		
2 PLC ± 0.38 [.015]		WEIGHT -	CUSTOMER DRAWING		
3 PLC ± -		SCALE 4:1 SHEET 1 OF 1 REV D			
4 PLC ± -					
ANGLES ± -					
MATERIAL BRASS	FINISH TIN				