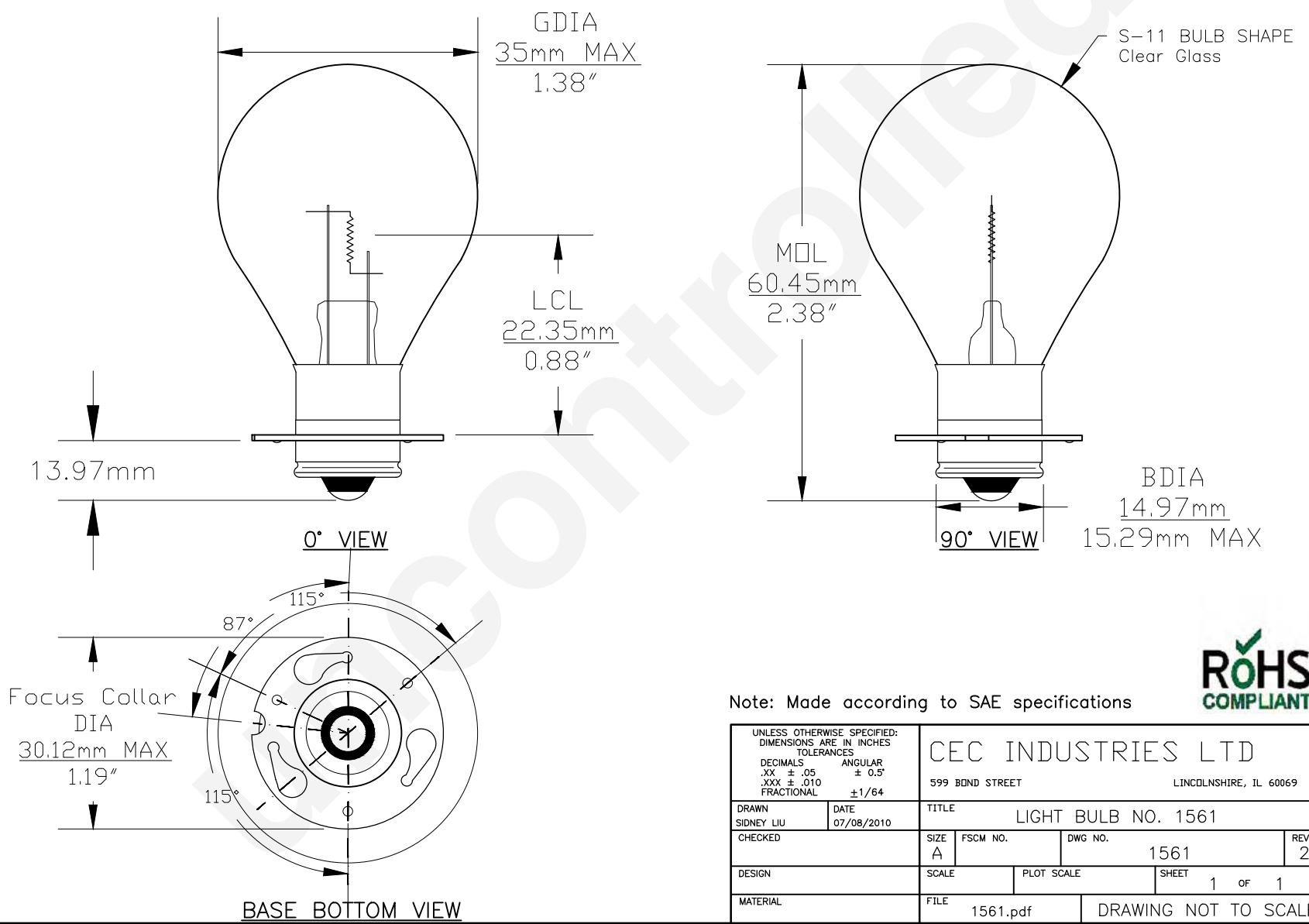




PART NO.	BASE TYPE	DESIGN VOLTS	DESIGN AMPS	MSCD	FILAMENT TYPE	AVERAGE LIFE HOURS	REVISIONS			
							REV #	DESCRIPTION	DATE	APPROVED
1561	S.C. Prefocus B (P15s30B)	6.3V	4.0±15%	24.0±30%	C-8Z	1500	1	REDRAWN	10/31/2014	R.M.



Note: Made according to SAE specifications



UNLESS OTHERWISE SPECIFIED: DIMENSIONS ARE IN INCHES TOLERANCES		CEC INDUSTRIES LTD	
DECIMALS .XX ± .05	ANGULAR .XXX ± .010	599 BOND STREET	LINCOLNSHIRE, IL 60069
FRACTIONAL ±1/64		TITLE LIGHT BULB NO. 1561	
DRAWN SIDNEY LIU	DATE 07/08/2010	SIZE A	FSCM NO. 1561
CHECKED		DWG NO. 1561	REV 2
DESIGN	SCALE	PLOT SCALE	SHEET 1 OF 1
MATERIAL	FILE 1561.pdf	DRAWING NOT TO SCALE	