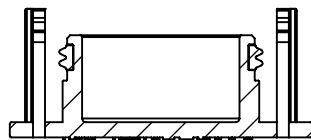
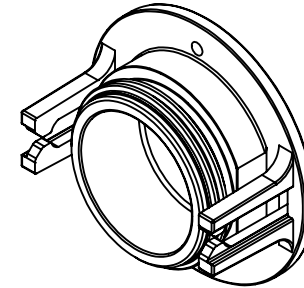
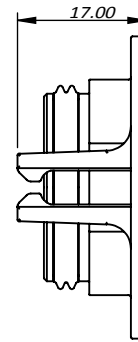
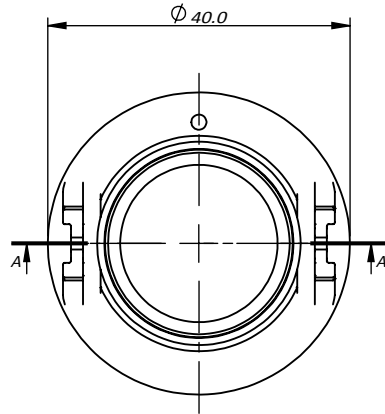


THIS DRAWING IS SUPPLIED FOR INFORMATION ONLY. DESIGN FEATURES, SPECIFICATIONS AND PERFORMANCE DATA SHOWN HEREON ARE THE PROPERTY OF THE AMPHENOL CORPORATION. NO RIGHTS OF REPRODUCTION ARE IMPLIED. ALL DIMENSIONS ARE SUBJECT TO NORMAL MANUFACTURING VARIATIONS.

**CUSTOMER DRAWING**

REVISIONS					
REV#	ECN#	REVISION ACTION	REV.BY:	APPR.BY:	DATE
A	--	INITIAL RELEASE	Star	James	07/06/2021



剖面 A-A  
比例 1:1

		Amphenol Technical Products International Asia.					<b>PART NAME:</b> PL300 1 Pos rcpt dust cap with seal
		第三角投影 <b>THIRD ANGLE PROJECTION</b>	页面 <b>SHEET</b>	幅面 <b>SIZE</b>	版次 <b>REV.</b>	比例 <b>SCALE</b>	
签名 <b>SIGNATURE</b> 制图 <b>DRAWN</b> 审核 <b>CHECKED</b> 批准 <b>APPROVAL</b>		日期 <b>DATE</b> 07/06/2021	1 OF 1	A4	A	--	<b>DWG NO:</b> AC-CP001670  <b>MATERIAL SPECIFICATIONS:</b>
		UNLESS OTHERWISE SPECIFIED 1) All dimensions are in metric(mm) 2) Tolerances are as follows: 1.PL DEC $\pm 1.00$ 2.PL DEC $\pm 0.50$ 3.PL DEC $\pm 0.20$	Angles $\pm 1^\circ$				