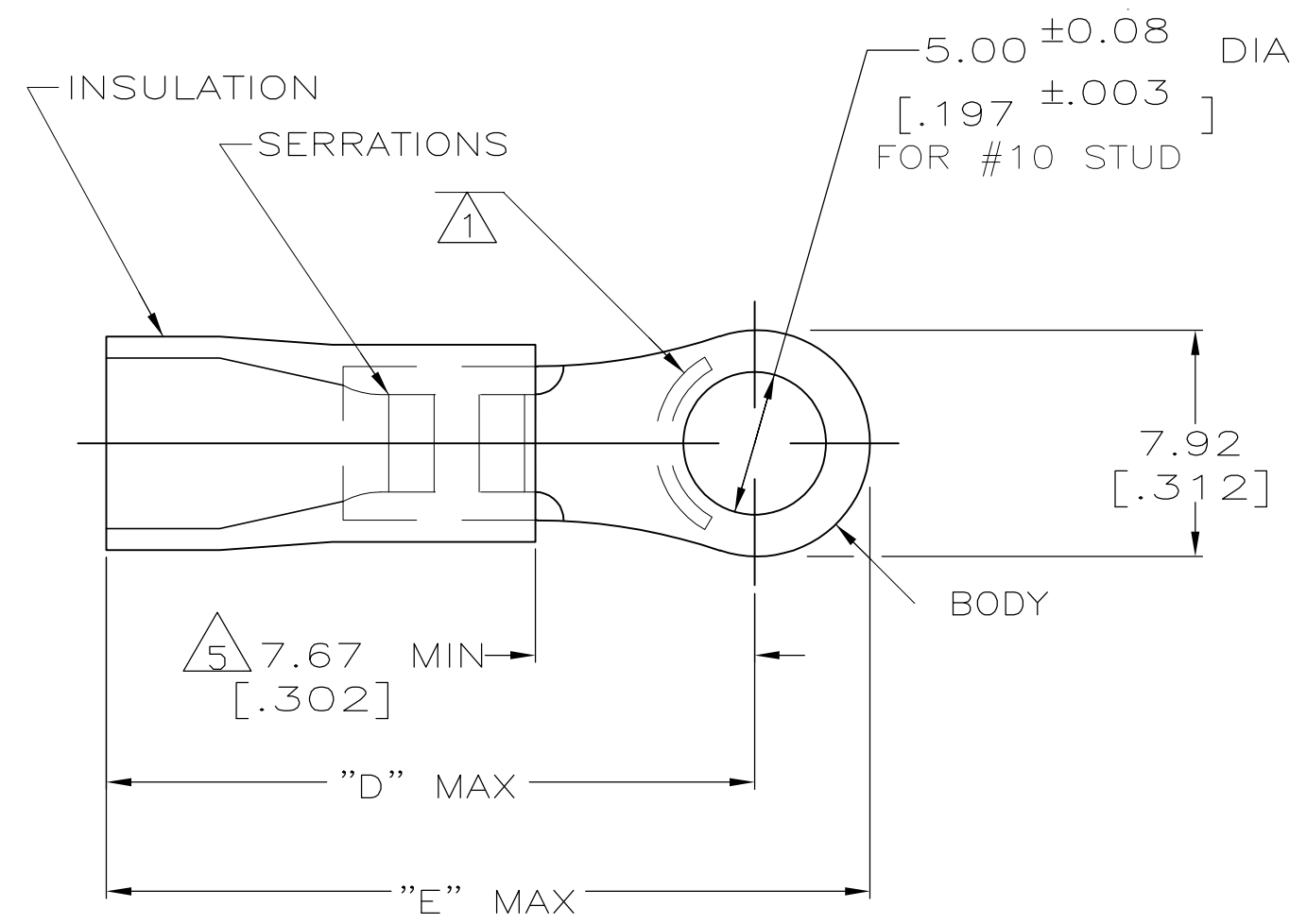


THIS DRAWING IS UNPUBLISHED. RELEASED FOR PUBLICATION  
 © COPYRIGHT - By - ALL RIGHTS RESERVED.

LOC	DIST	REVISIONS					
G	14	P	LTR	DESCRIPTION	DATE	DWN	APVD
			M2	REVISED PER ECO-11-004917	11MAR11	RK	HMR



- 1 STAMP AMP 12-10\*, APPROX AS SHOWN
- 2 TONGUE MATERIAL THK IS 0.99±0.05 [.039±.002]
- 3 MATERIAL: BODY; COPPER PER ASTM B152  
INSULATION; PVC  
COLOR; YELLOW
- 4 FINISH: BODY; TIN PL. PER ASTM B545
- 5 APPLIES FROM EDGE OF METAL WIRE BARREL  
TO CENTER OF STUD HOLE.

12-10 AWG SOLID OR STRANDED	12-10 AWG SOLID OR STRANDED	12-10 AWG SOLID OR STRANDED

"E"	"D"	WIRE INSULATION DIA	QTY	PACKAGE TYPE	PART NUMBER
28.00 [1.111]	24.21 [.953]	5.08-7.62 [.200-.300]	500	LOOSE PIECE	1-330518-1
			1500	ON TAPE, REEL	1-330518-2
26.72 [1.052]	22.68 [.893]	3.81-6.35 [.150-.250]	500	LOOSE PIECE	330518

AMP INCORPORATED CUSTOMER SERVICE SYSTEMS		MAX RECOMMENDED OPERATING TEMPERATURE: 105°C [221°F]	THIS DRAWING IS A CONTROLLED DOCUMENT.		DWN DK SCHRUM 08/06/92	TE Connectivity			
FOR ADDITIONAL PRODUCT INFORMATION OR COPIES OF DRAWINGS AND TECHNICAL DOCUMENTS	PRODUCT INFORMATION CENTER 1-800-522-6752	VOLTAGE RATING: 600 MAX (1000 MAX FIXTURE OR SIGN)	DIMENSIONS: INCHES	TOLERANCES UNLESS OTHERWISE SPECIFIED:	CHK RE HERSEY 11/10/92				NAME M ELLIS
FOR APPLICATION TOOLING INFORMATION	TOOLING ASSISTANCE CENTER 1-800-722-1111	CIRCULAR MIL AREA: 2.62-6.64mm² [5180-13100] SOLID OR STRANDED		0 PLC ± - 1 PLC ± - 2 PLC ± 0.20[.008] 3 PLC ± - 4 PLC ± - ANGLES ± -	APVD M ELLIS 11/10/92	PRODUCT SPEC UL 486A			
FOR ORDER ENTRY	1-800-526-5142	THIS DRAWING IS A CONTROLLED DOCUMENT FOR AMP INCORPORATED. IT IS SUBJECT TO CHANGE AND THE CONTROLLING ENGINEERING ORGANIZATION SHOULD BE CONTACTED FOR THE LATEST REVISION.	MATERIAL	FINISH	APPLICATION SPEC NOT AVAILABLE	SIZE A3	CAGE CODE 00779	DRAWING NO C-330518	RESTRICTED TO -
					WEIGHT -	CUSTOMER DRAWING			SCALE 4:1
						SHEET 1 OF 1			REV M2