



Mallory Sonalert Products, Inc.

Part #: **JT028-RYGB-CD**

Sales Outline Drawing

Revision: **D**

Specifications:

Stack Number:	1	2	3	4	
LED Color:	RED	YELLOW	GREEN	BLUE	
Connection Wires:	Red and Brown	Yellow and Brown	Green and Brown	Blue and Brown	
LED Current Draw:	<50 mA	<60 mA	<40 mA	<50 mA	
Rated Voltage:	24 VAC/DC				
Operating Voltage:	20-28 VAC/DC				
Total Max Current:	<200mA				
Operating Temperature:	-25° ~ +60°C				
Lens Color:	Opaque White				
Material:	ABS FR15U				
Mounting Method:	Direct Mount using 1/2" NPT Stainless Steel Pipe and Nut				
Weight Typical (g):	300				
NEMA 12:	Approved				
Options:	Please contact factory.				

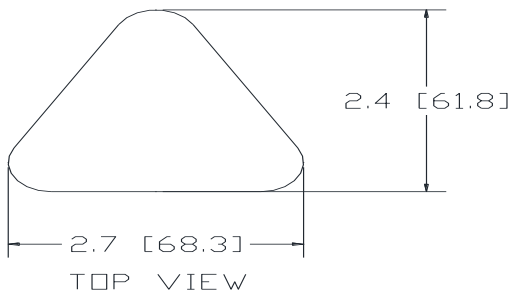
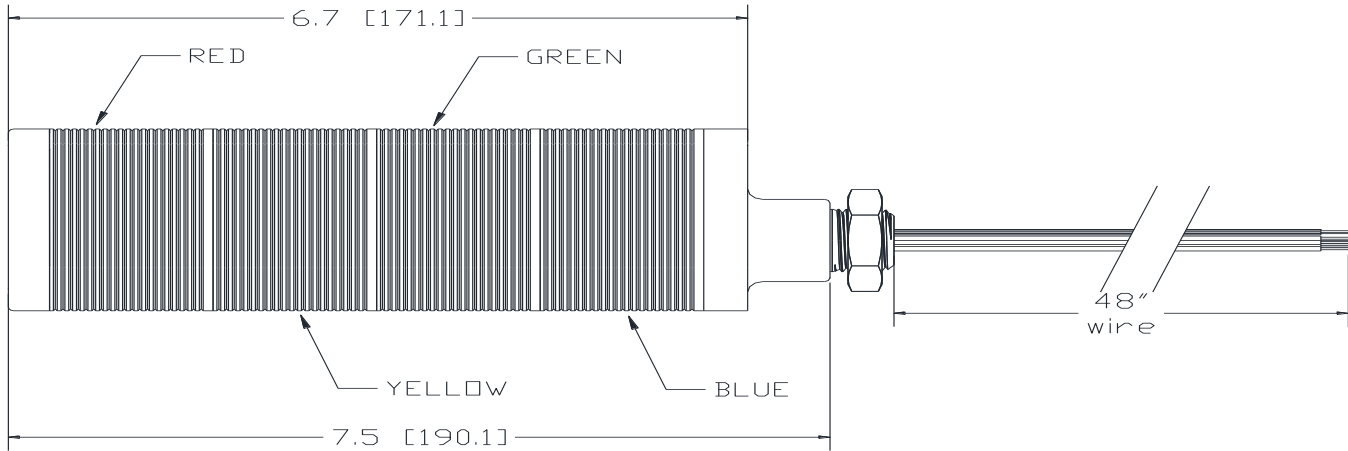
Dimensions:

Inches (mm)

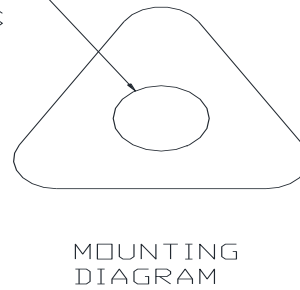
cUL Recognized

ROHS Compliant

PATENT NUMBER D898600 10309594



Ø0.88 [Ø22.2]
KNOCK OUT
FOR WIRES



LED OPERATION: CONNECT STACK COLOR WIRE TO POWER AND BROWN WIRE TO POWER.