

Ratings
 Voltage: 150 V
 Temperature: -40~70 °C

Conductor
 Conductor count: 9
 Gauge: 26 AWG 0.13 mm²
 Material: Tinned copper strands
 Strand size: ϕ 0.08 x 26
 Resistance at 20 °C: 150 Ω /km max

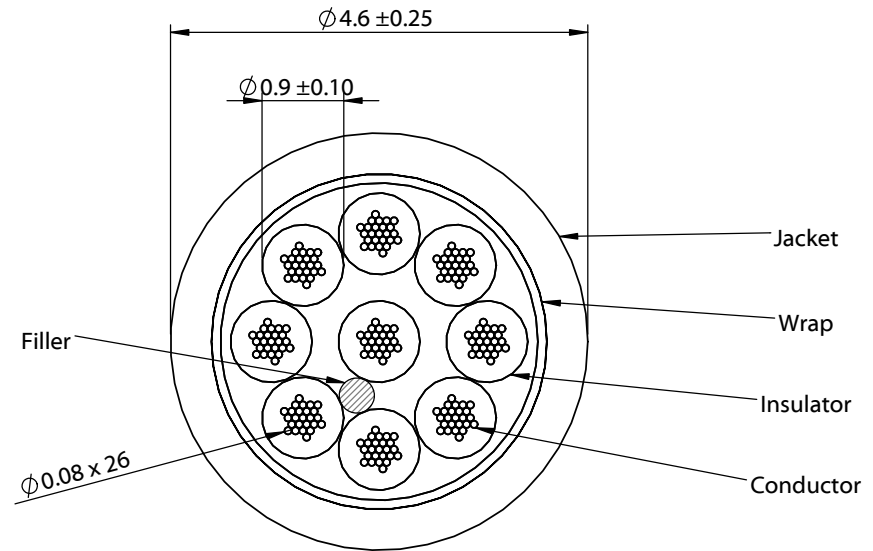
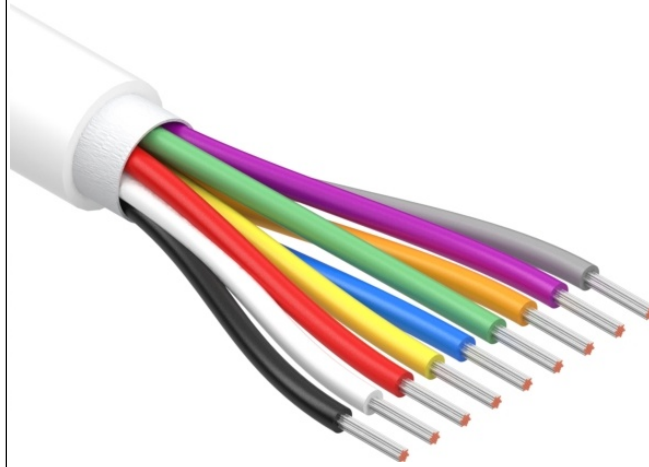
Insulator
 Material: HDPE
 Color: white, black, red, yellow, blue, green, orange, purple, gray
 Diameter: ϕ 0.9 \pm 0.10 mm
 Nominal thickness: 0.20 mm
 Resistance at 20 °C: 100 M Ω /km min

Wrap
 Material: cotton paper

Filler
 Material: aramid fiber

Outer jacket
 Material: TPU
 Color: white
 Diameter: ϕ 4.6 \pm 0.25 mm
 Nominal thickness: 0.60 mm

Tests
 Tensile strength: 26 kgf min
 Dielectric test: 1500 V dc for 1 minute without breakdown
 Bend test at 200 g, \pm 60 °, 30 cycles /min: 15,000 cycle minimum



Revision:	Date:	Description:
A	9/7/2022	Initial release

Prepared:
PB
Digitally signed by PB
 Date: 2022.09.20
 15:46:42 -07'00'

Verified:
MP
Digitally signed by MP
 Date: 2022.09.23
 15:09:04 -07'00'

Dimensions are in millimeters.
 Tolerances:
 X: \pm 0.5 mm
 X.X: \pm 0.3 mm
 X.XX: \pm 0.05 mm

Notes:
 RoHS compliant
 Jacket meets ISO 10993 Biological Compatibility
 Phthalate and halogen free
 Function test: no open, no short, no intermittent

Description:
 Wire, 9C TS, 26 AWG, 150V, 70C, 4.6 mm, TPU, 75A, white, WBL

TENSILITY

tel 1.541.323.3228 800 877.670.7118
 fax 1.541.323.4202 web tensility.com

Size:	Part number:
A	30-02834
Scale: 12:1	
Sheet 1 of 1	